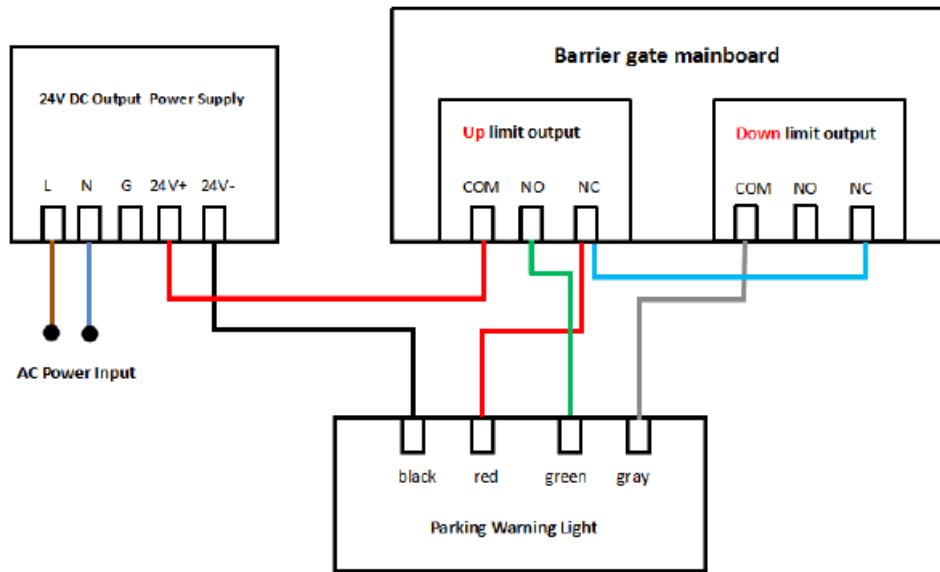


# Wiring diagram



## Features

- Foldable base, 180 degree rotation
- High-gloss light-transmitting shell makes the colors easier to distinguish
- High-quality LED lamp beads, lower energy consumption
- Regardless of positive and negative, support common cathode and common anode
- High decibel volume, can effectively remind the danger warning

## Specifications

Product Name	Parking warning light
Number of layers light	Double layer (red and green light)
light	always bright / blinkable and adjustable
Sound	buzzer
Voltage	24V
Power	1w
Dimensions (mm)	70*70*220
Buzzer power	100dB
Waterproof rating	IP65