

JUST MAKE TRANSMISSION SIMPLE

Installation Guide

L2 Managed Switch

For more information



User Manual

For more information



User Manual

Preparing for installation

L2 Managed Switch series includes the following models:

- 24 Managed Switch Ports(Non-PoE)
- 8 Ports Managed PoE Switch
- 16 Ports Managed PoE Switch
- 24 Ports Managed PoE Switch

Safety recommendations

CAUTION:

The switch is a class-A device and might cause electromagnetic interference (EMI). Take actions to prevent EMI as required.

To avoid any equipment damage or bodily injury, read the following safety recommendations before installation.

- Do not place the switch near water or in a damp environment. Prevent water or moisture from entering the chassis.
- Place the switch in a clean environment. Dust buildup on the chassis might result in electrostatic adsorption, which reduces lifespan of the device and can cause communication failure.
- Keep the air inlet and outlet vents of the switch free of obstruction, and do not stack switches.
- Make sure the operating voltage is stable and in the required range.
- Before using the switch, ground it reliably by using the grounding point on the rear panel.
- Before cleaning the switch, remove the power cord from the switch. Do not clean the switch with a wet cloth or liquid.
- Do not open the chassis while the switch is operating. To avoid damage, do not open the chassis even when the switch is powered off.

Installing the switch

Mounting the switch in a 19-inch rack

1. Make sure the rack is reliably grounded and is stable.
2. Use screws to attach the mounting brackets to both sides of the chassis.

Figure 1 Attaching mounting brackets (8 Ports PoE)

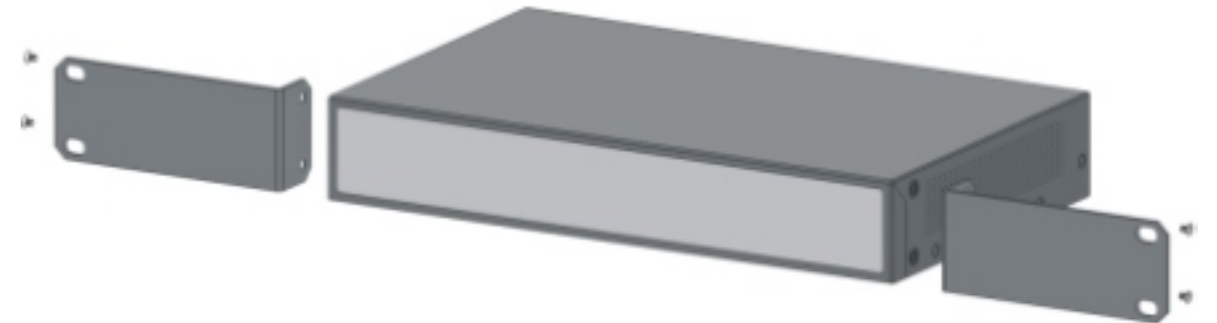
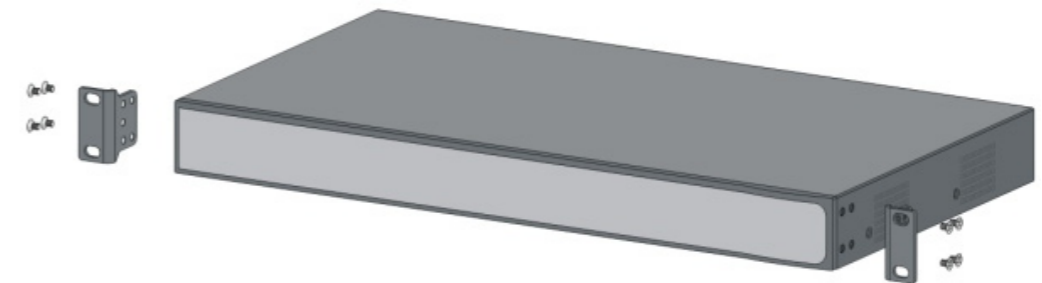


Figure 2 Attaching mounting brackets(8 Ports PoE/ 16 Ports PoE /24 Ports PoE)



3. Place the switch on a rack shelf in the rack. Slide the switch into the rack until the mounting brackets are flush against the front rack posts and the oval holes in the brackets align with the mounting holes in the front rack posts.
4. Use screws to secure the mounting brackets to the front rack posts.

Figure 3 Mounting the switch in the rack (8 Ports PoE)

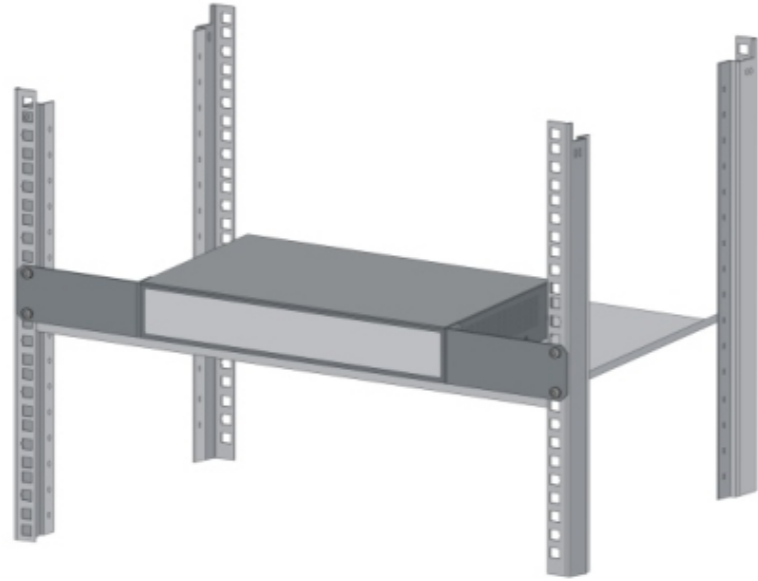
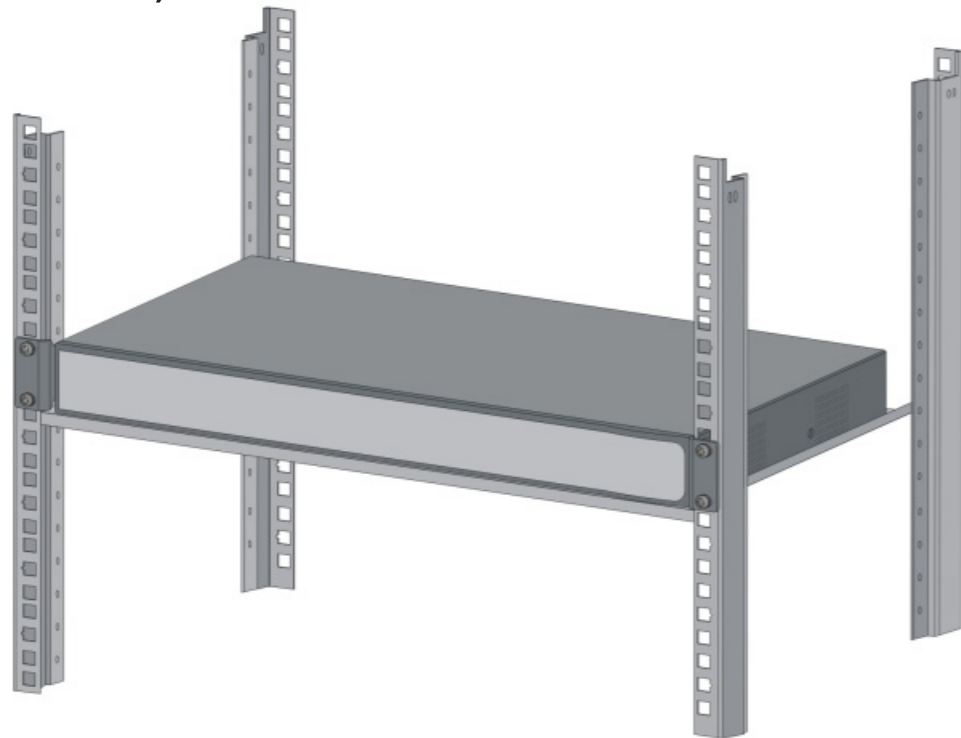


Figure 4 Mounting the switch in the rack (8 Ports PoE/ 16 Ports PoE 24Ports PoE)



NOTE:

The switch is a class-A device and might cause electromagnetic interference (EMI). Take actions to prevent EMI as required.

Mounting the switch on a workbench

1. Make sure the workbench is clean, sturdy, and reliably grounded.
2. Place the switch bottom up, and clean the four recessed areas in the chassis bottom with a soft and dry cloth.
3. Remove the four rubber feet from the adhesive strip provided with the switch and attach them to the recessed areas.
4. Place the switch upside up on the workbench.

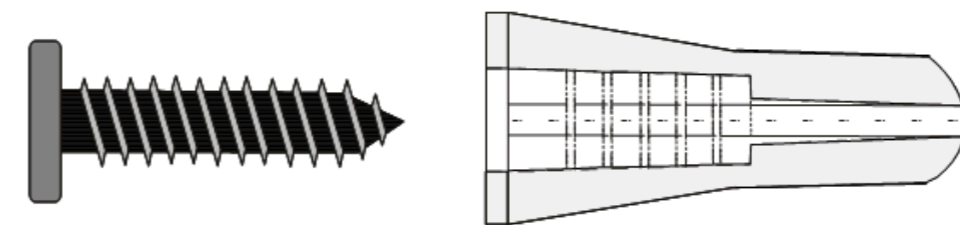
Mounting the switch on a wall

L2 Managed Switch series can be installed on a wall. The type of screws used to wall-mount the switch depends on the wall type.

This section uses a concrete wall as an example.

To wall-mount the switch, you need to prepare screw anchors and screws. The screws must be a minimum of 3 mm (0.12 in) in diameter, and the screw head must be a minimum of 6 mm (0.24 in) in diameter.

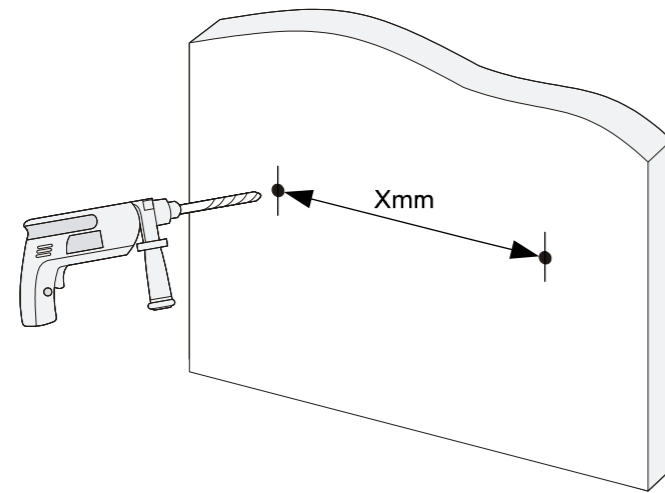
Figure 5 Screw anchor and screw



To install the switch on a concrete wall:

1. Drill two holes at the same height on the wall. Make sure the spacing in between is 160 mm (6.30 in), as shown in Figure 6. The hole depth and diameter depend on the screw anchors and screws you use. Make sure you can push the anchors to their full depth in the holes.

Figure 6 Hole spacing



2. Insert one screw anchor into each hole until the anchors are flush with the wall surface.
3. Drive one screw into each screw anchor, and tighten the screw to secure it in the wall anchor.

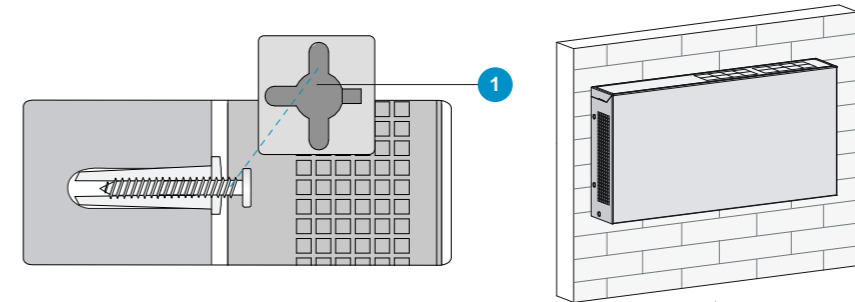
Leave a minimum clearance of 1.5 mm (0.06 in) between the base of the screw head and the screw anchor so the switch can hang on the screws securely.

Figure 7 Driving a screw into a screw anchor



4. Align the two mounting holes in the switch chassis bottom with the two screws on the wall and hang the switch.
5. Make sure the Ethernet ports are facing downwards and the chassis side panels are perpendicular to the ground.

Figure 8 Wall-mounting the switch



(1) Mounting hole in the switch chassis bottom

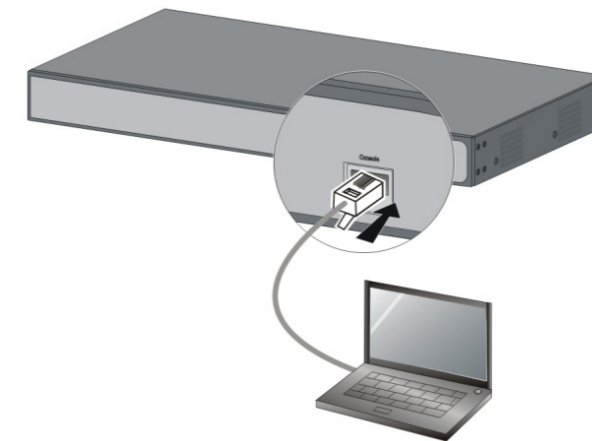
Connecting cables

Connecting the console cable

To connect the switch to a configuration terminal, for example, a PC, by using the console cable:

1. Connect the DB-9 connector of the console cable to the serial port on the PC.
2. Connect the RJ-45 connector of the console cable to the console port on the switch.

Figure 9 Connecting the console cable



Connecting the grounding cable

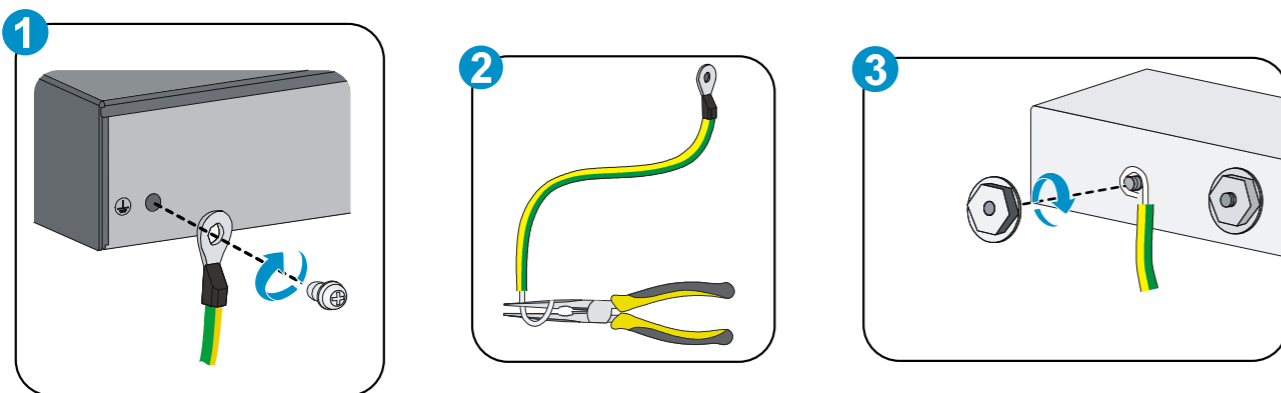
⚠ CAUTION:

Correctly connecting the grounding cable is crucial to lightning protection and EMI protection.

To connect the grounding cable:

1. Use a Phillips screwdriver to remove the grounding screw from grounding hole in the rear panel of the chassis. Use the grounding screw to attach the ring terminal of the grounding cable to the grounding hole. Fasten the grounding screw into the grounding hole.
2. Use needle-nose pliers to make a loop at the other end of the cable.
3. Remove the hex nut from a grounding post on the grounding strip. Attach the loop to the grounding post and fasten the hex nut.

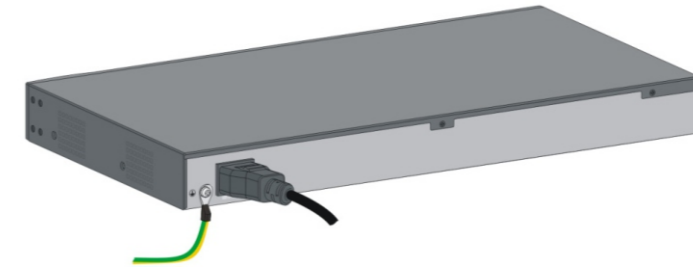
Figure 10 Connecting the grounding cable



Connecting the power cord

1. Make sure the switch is reliably grounded.
2. Connect one end of the AC power cord to the AC power receptacle on the switch.
3. Connect the other end of the AC power cord to an AC power source.

Figure 11 Connecting the power cord



Installing SFP transceiver modules and optical fibers

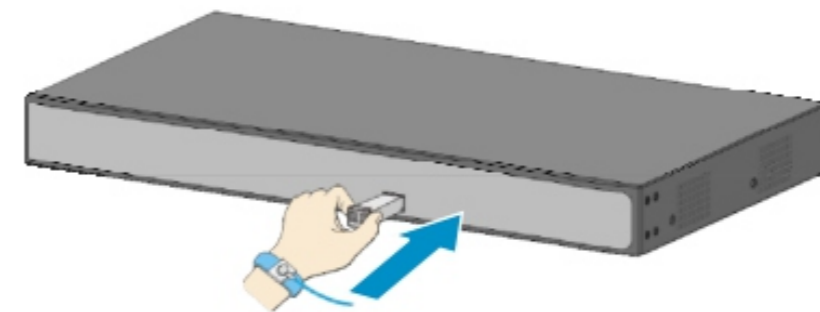
⚠ CAUTION:

- When you install or remove an SFP transceiver module, do not touch the golden plating on it.
- Remove the dust plugs from an SFP transceiver module only when you are to connect optical fibers to the module.
- Before installing an SFP module, remove the optical fibers, if any, from it

To install an SFP transceiver module and optical fibers:.

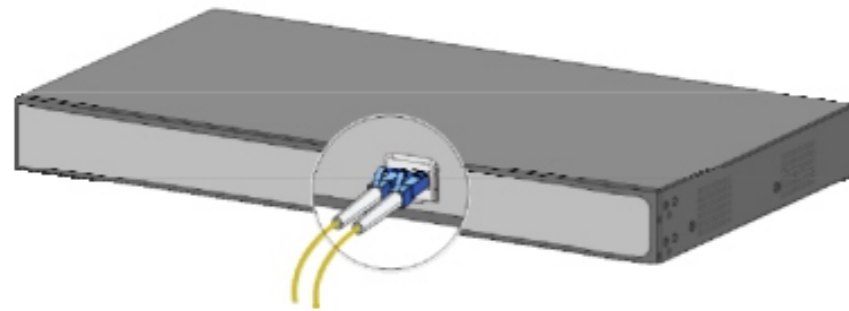
1. Wear an ESD wrist strap and make sure it makes good skin contact and is reliably grounded.
2. Pivot the bail latch of the module up. Holding the module by its two sides, gently push the module into the slot until it has firm contact with the slot.

Figure 12 Installing an SFP transceiver module



- Remove the dust caps from the LC connectors of the optical fibers, and the dust plugs from the SFP transceiver module.
- Connect the LC connectors of the optical fibers to the transceiver module.

Figure 13 Installing optical fibers



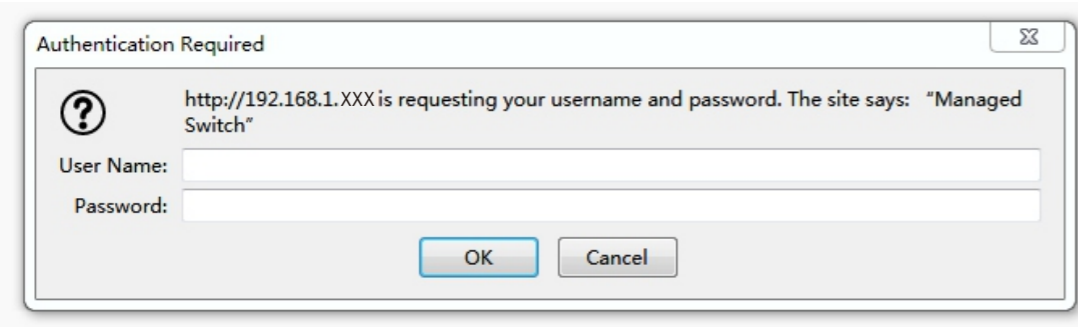
Accessing the switch

The switch supports Web GUI management.

To access the Web GUI of the switch:

- Connect the switch to a PC. Make sure the switch and PC are reachable to reach other.
By default, the management IP address of the switch is 192.168.1.200 and the subnet mask is 255.255.255.0.
- Enter `http://192.168.1.200` in the address bar of your browser.
- On the login page that opens, enter the user name and verification code, select the language, and click Login.
The default username are admin (case-sensitive). Password is not required.

Figure 14 Accessing the Web GUI of the switch



Troubleshooting

Table 1 Common issue troubleshooting

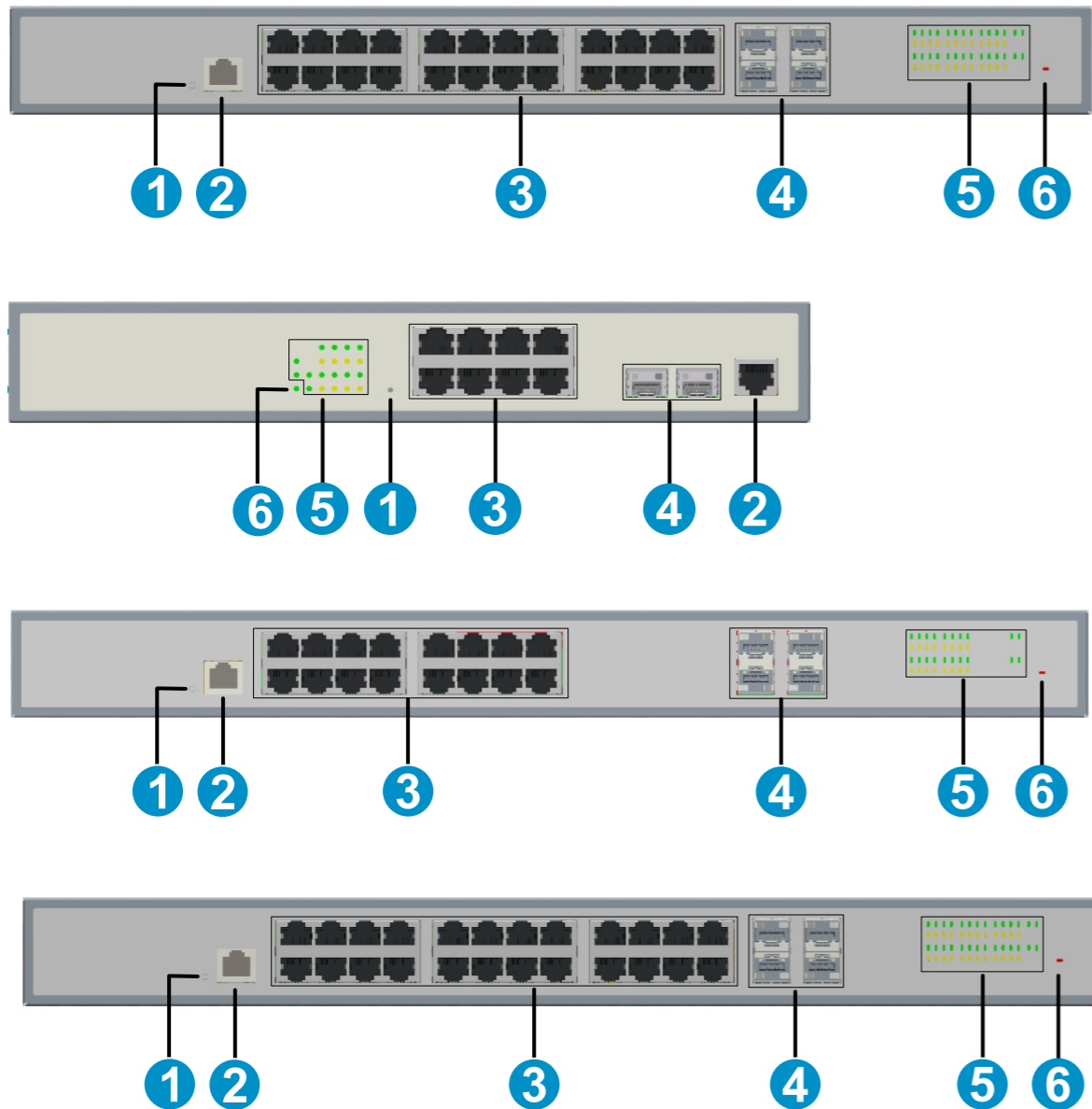
Issue	Troubleshooting procedure
Power status LED off	<ol style="list-style-type: none"> Verify that the power cord is connected correctly. Verify that the power switch is turned on. If the issue persists, contact Support.
LAN port LED off	<ol style="list-style-type: none"> Verify that the network cable is connected to the Ethernet port securely. Connect the network cable to two Ethernet ports on the switch. If the LEDs for the two ports are both on, the network cable is in good condition. If the LEDs are not on, the network cable is faulty. Replace the network cable. If the issue persists, contact Support.
Failure to access the Web GUI of the switch	<ol style="list-style-type: none"> Use ping commands to verify network connectivity at the MS-DOS command prompt. Ping 127.0.0.1 to verify that the PC has TCP/IP installed. Ping the IP address (default: 192.168.1.200) of the switch to verify that the switch is reachable from the PC. Verify that no proxy server or dial-up connection is configured for the web browser. If these configurations exist, remove them. Configure a local network address for the PC and then disable and enable the local network connection. If the issue persists, contact Support.

Appendix A Chassis views and technical specifications

Chassis views

Front panel

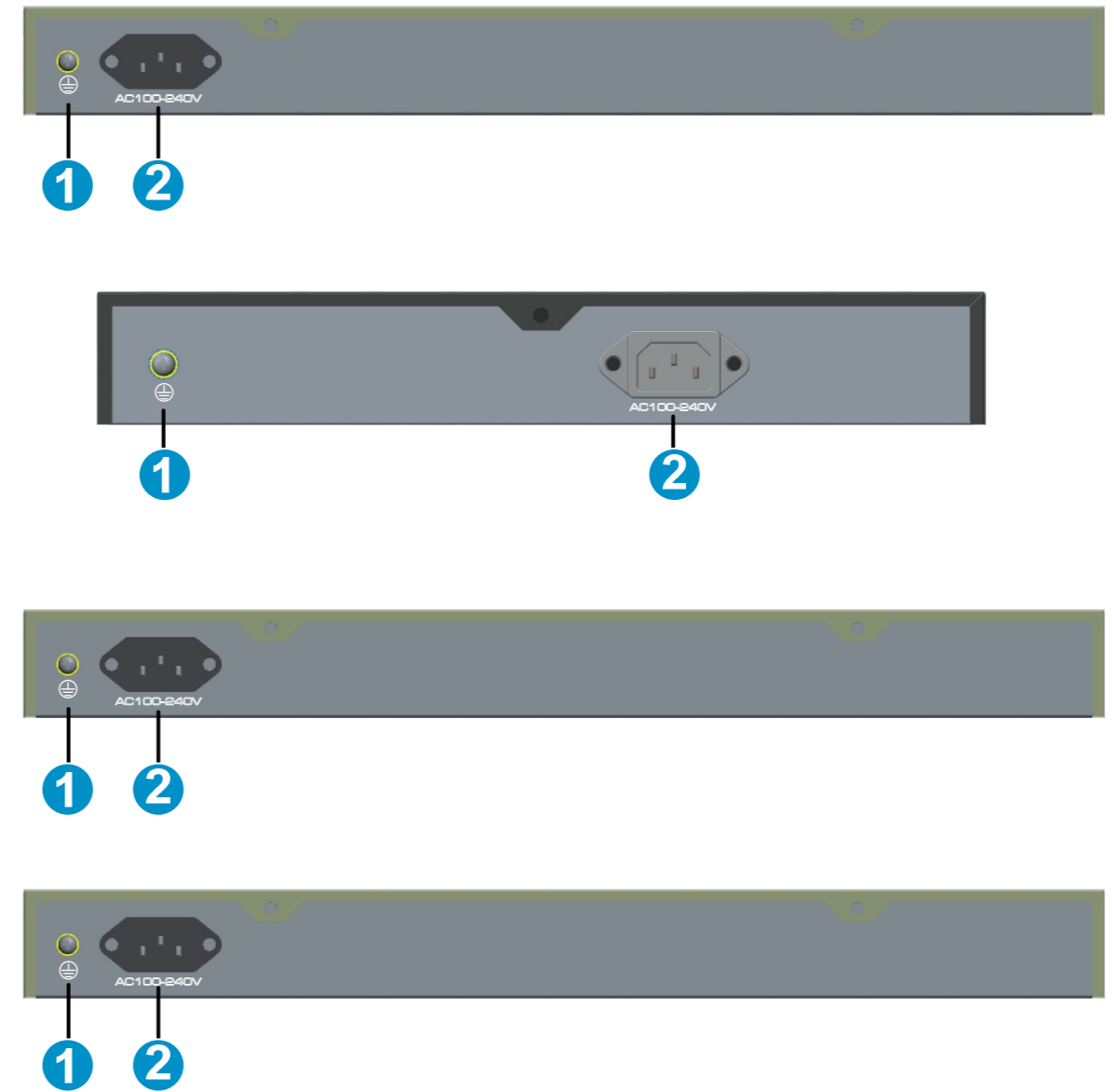
Figure 24 Ports(Non-PoE)



- (1): Link/Act
- (2): Console port
- (3): 10/100/1000BASE-T copper port
- (4): 100/1000BASE-X SFP fiber port
- (5):Port status LED
- (6):Power status LED (Power)

Rear panel

Figure 24 Ports(Non-PoE)



- (1):Grounding screw
- (2) AC power receptacle

Technical specifications

Table 2 Technical specifications

Item	24 Ports (Non-PoE)	8 Ports PoE	16Ports PoE	24 Ports PoE
Dimensions (H × W × D)	442 mm× 285 mm× 44 mm	274 mm× 180 mm×44 mm	442 mm× 285 mm× 44 mm	442 mm× 285 mm× 44 mm
Weight	≤ 3kg	≤ 2.2kg	≤ 3.5kg	≤ 4kg
Input AC voltage	AC : 100V ~ 240V AC , 50/60Hz			
Console port	1 * RJ45-R232 serial port			
Management IP Address	Default:192.168.1.200 Name/Password:admin/admin			
Ports	24 × 10/100/1 000BAS E-T copper port 4× 100/100 0BASE- X SFP port	8× 10/100/10 00BASE-T copper port 2 × 100/1000 BASE-X SFP port	16 × 10/100/10 00BASE-T copper port 4 ×100/1000 BASE-X SFP port	24 × 10/100/1 000BAS E-T copper port 4 ×100/10 00BASE -X SFP port

Appendix B LEDs

LED	Status	Description
Power status LED (Power)	On	The switch is powered on and the power module is operating correctly.
	Flashing	The switch is powered on and is performing self-test.
	Off	The switch is not powered on or the power module is faulty.
10/100/1000BASE-T copper port status LED (Link/Act)	On	The port is operating at 1000 Mbps and a link is present on the port.
	Flashing	The port is receiving or sending data at 1000 Mbps.
	Off	No link is present on the port.
100/1000BASE-X SFP port status LED (Link/Act)	On	The port is operating at 1000 Mbps and a link is present on the port.
	Off	No link is present on the port.
PoE status LED	On	Normal PoE power supply.
	Off	No PoE power supply.
PoE Max (Only 8 port Managed PoE)	On	On: The total output power of PoE reached 135W
	Flashing	The total output power of PoE reached 130W
	Off	The total output power of PoE did not reach the warning power