

# **BOX CAMERA HOUSING**

User Manual

SHB-4301HP

## **BOX CAMERA HOUSING**

User Manual

---

### **Copyright**

**©2018 Hanwha Vision Co., Ltd. All rights reserved.**

### **Trademark**

Each of trademarks herein is registered. The name of this product and other trademarks mentioned in this manual are the registered trademark of their respective company.

### **Restriction**

Copyright of this document is reserved. Under no circumstances, this document shall be reproduced, distributed or changed, partially or wholly, without formal authorization.

### **Disclaimer**

Hanwha Vision makes the best to verify the integrity and correctness of the contents in this document, but no formal guarantee shall be provided. Use of this document and the subsequent results shall be entirely on the user's own responsibility. Hanwha Vision reserves the right to change the contents of this document without prior notice.

❖ **Design and specifications are subject to change without prior notice.**

# Safety Instructions

---

The safety instructions below are prepared to avoid physical or monetary damage from an accident, so please read carefully and follow them.

- Do not install the product in a place that contains salt or produces the sulphurous gas.
- Do not insert metal objects or inflammable substances inside.
- Otherwise, it may cause an electric leakage or shock or a fire.
- Put a neutral detergent on the cloth that is used to wipe on the glass surface.
- Do not use chemical substances such as thinner and benzene.
- Use the right tools and wires to install the product in compliance with the safety instructions.



Hanwha Vision cares for the environment at all product manufacturing stages, and is taking measures to provide customers with more environmentally friendly products. The Eco mark represents Hanwha Vision's devotion to creating environmentally friendly products, and indicates that the product satisfies the EU RoHS Directive.

# Contents

---

## INTRODUCTION

5

- 5 Product Overview
- 5 Features

## INSTALLATION

6

- 6 Installation
- 7 Installing the Camera and Bracket

## SPECIFICATIONS

8

- 8 Specifications
- 10 Dimension

# Introduction

---

## PRODUCT OVERVIEW

---

- This CAMERA-HOUSING is designed to install the outdoor CCTV camera securely to protect it from the external conditions.

## FEATURES

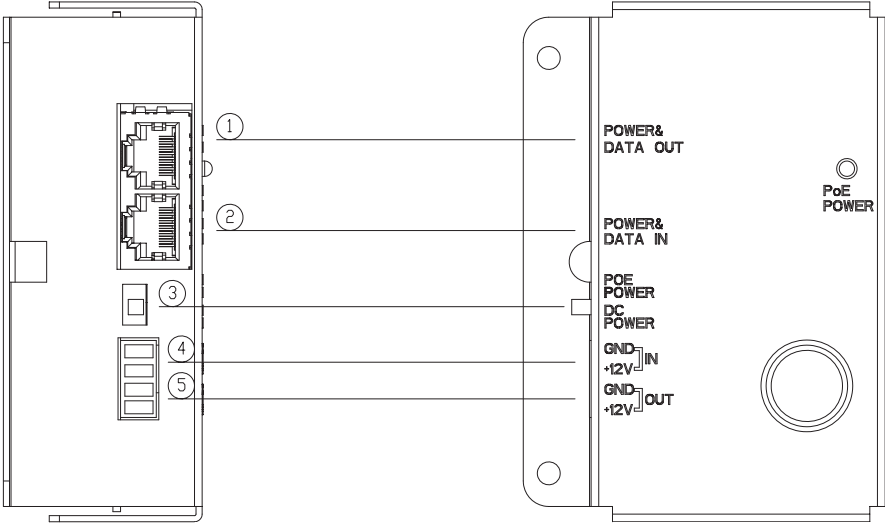
---

- This product is a 16" camera housing that is designed to guarantee that the outdoor CCTV camera is installed securely for stable operation.
- Firm and secure with the semi-permanent material, it is designed to be in harmony with the surrounding environment and to help the CCTV camera operate stably regardless of the dirt that may accumulate in the installation site and the weather condition.
- In addition to the waterproofness function and built in the PoE module, it has the hinges on both sides that are manufactured in the top cover structure, which facilitates the installation and repair work.
- The material of the body frame is made of aluminium that is corrosion-resistant.
- The product is also seamlessly sealed to protect itself from an unexpected external impact.

# Installation

## INSTALLATION

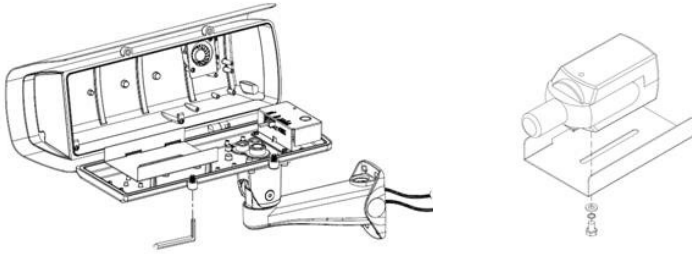
### Wiring Diagram



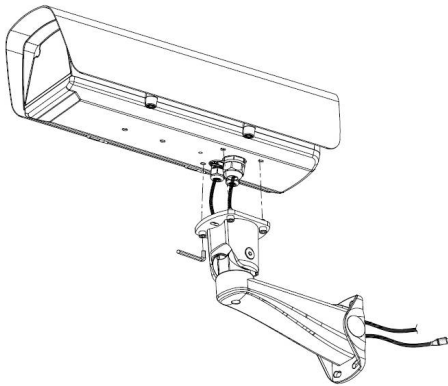
### RJ45 Terminal Layout

Terminal Layout	Pin	Input	Output
	1	Tx+ + Power2_A	Tx+
	2	Tx- + Power2_A	Tx-
	3	Rx+ + Power2_B	Rx+
	4	Power1_A	POE POWER +
	5	Power1_A	POE POWER +
	6	Rx- + Power2_B	Rx-
	7	Power1_B	POE POWER -
	8	Power1_B	POE POWER -

## INSTALLING THE CAMERA AND BRACKET



- Use 5mm wrench, open the housing top part. Remove the camera plate, Install the camera on the camera plate and screw up. Check the lens and focus and Close the housing top part and screw up tightly.



- Use 5mm wrench, Install the bracket on the camera mount part and screw up tightly

# Specifications

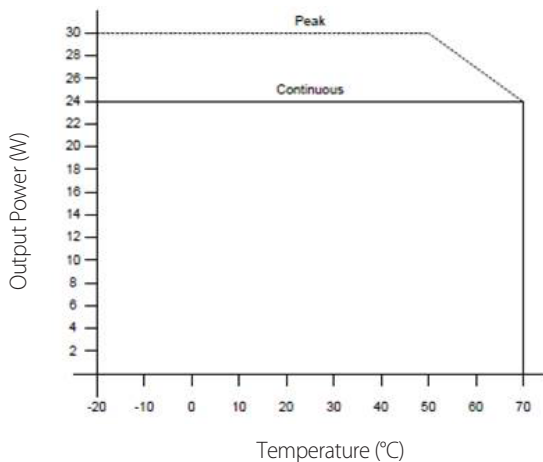
## SPECIFICATIONS

SHB-4301HP			
<b>Purpose</b>	Outdoor Housing		
<b>Product Name</b>	Box Camera Housing		
<b>Features</b>	PoE function, Dustproof, Waterproof, IP66		
<b>Material</b>	Aluminium Die-Casting ADC 12		
<b>Use Condition</b>	-35°C ~ +50°C		
<b>Weight</b>	2.5kg (without Bracket)		
<b>Input Power</b>	DC12V(Min30W) & PoE Power(IEEE802.3at)		
<b>Output Power</b>	<b>Fan</b>	2W	
	<b>Defroster</b>	5W	
	<b>Heater</b>	5~9W	
<b>Operation</b>	<b>Temperature</b>	Fan : UP 35°C± 2°C ON Under .30°C± 2°C OFF	
		Heater : Under 5°C± 5°C ON Up .15°C± 5°C OFF	
		Defroster : Always ON	
<b>Dimension</b>	<b>Outside</b>	184mm(W) X 127mm(H) X 460mm(D)	
	<b>Inside</b>	99mm(W) X 80mm(H) X 250mm(D)	
<b>Color</b>	Ivory		
<b>Accessories</b>	<b>Housing:</b>	¼"-20X3/8" Screw (x2), Spring Washer (x1), Flat Washer (x1), Wrench(x1), Gland Cable Cap (x2)	
		<b>Bracket</b>	¼" × 1/2" Screw (x4)



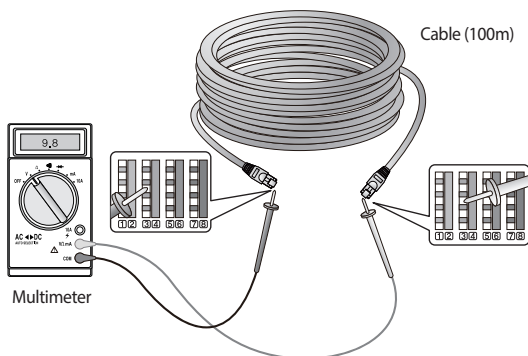
SHB-4301HP

Functional Relation Chart



※ The specification for this product may change without prior notice for product improvement.

- ! ■ The UTP cable is UTP (unshielded twisted pair) indoor cable and should not be used outdoors but STP (shielded twisted pair) is recommended for installation outdoors. If the UTP cable is used outdoors, problems can occur with the product such as an abnormal voltage being applied to the cable due to lightning.
- The maximum extensible distance of LAN cable is about 100m. This distance is based on LS cable with CAT.5e standard AWG24 with DC resistance.
- The above maximum extensible distance may differ if the cable is not the CAT.5e standard AWG24 cable or has a DC resistance (100m) greater than 9.8Ω. You can check the DC resistance (100m) value by measuring the DC resistance (100m) for the same color cable of the UTP cable RJ45 terminal using the cable(100m) and multimeter as shown below.

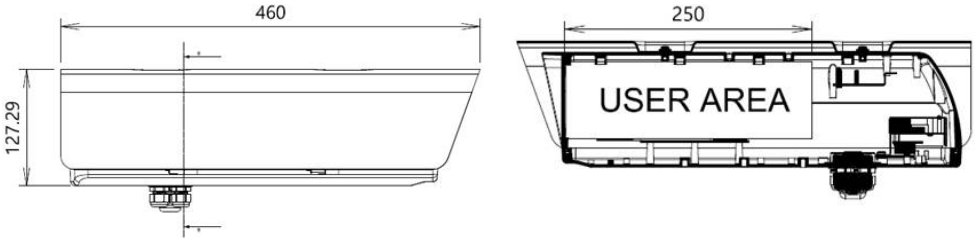


# Specifications

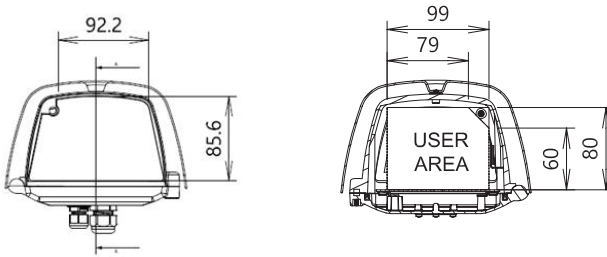
## DIMENSION

- Body

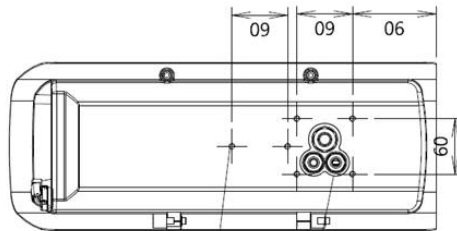
Unit: mm



- Front



- Mount Base



6-UNC 1/4-20

CONNCORD NPT3/8 2PCS  
NPT1/2 1PCS

# MEMO

