



# **BOX CAMERA HOUSING**

## User Manual

SHB-4200  
SHB-4200H

# overview

---

	<b>CAUTION</b> RISK OF ELECTRIC SHOCK. DO NOT OPEN	
<b>CAUTION:</b> TO REDUCE THE RISK OF ELECTRIC SHOCK, DO NOT REMOVE COVER (OR BACK) NO USER SERVICEABLE PARTS INSIDE. REFER SERVICING TO QUALIFIED SERVICE PERSONNEL.		



This symbol indicates that dangerous voltage consisting a risk of electric shock is present within this unit.



This symbol indicates that there are important operating and maintenance instructions in the literature accompanying this unit.

## WARNING

- To reduce the risk of fire or electric shock, do not expose this appliance to rain or moisture.
- To prevent injury, this apparatus must be securely attached to the floor/wall in accordance with the installation instructions.
- If this power supply is used at 24V ac, a suitable plug adapter should be used.
- The camera is to be only connected to PoE networks without routing to the outside plant.

## WARNING

1. Be sure to use only the standard adapter that is specified in the specification sheet. Using any other adapter could cause fire, electrical shock, or damage to the product.
2. Incorrectly connecting the power supply or replacing battery may cause explosion, fire, electric shock, or damage to the product.
3. Do not connect multiple cameras to a single adapter. Exceeding the capacity may cause abnormal heat generation or fire.
4. Securely plug the power cord into the power receptacle. Insecure connection may cause fire.
5. When installing the camera, fasten it securely and firmly. The fall of camera may cause personal injury.
6. Do not place conductive objects (e.g. screwdrivers, coins, metal parts, etc.) or containers filled with water on top of the camera. Doing so may cause personal injury due to fire, electric shock, or falling objects.

7. Do not install the unit in humid, dusty, or sooty locations. Doing so may cause fire or electric shock.
8. If any unusual smells or smoke come from the unit, stop using the product. In such case, immediately disconnect the power source and contact the service center. Continued use in such a condition may cause fire or electric shock.
9. If this product fails to operate normally, contact the nearest service center. Never disassemble or modify this product in any way. (HANWHA is not liable for problems caused by unauthorized modifications or attempted repair.)
10. When cleaning, do not spray water directly onto parts of the product. Doing so may cause fire or electric shock.
11. Do not expose the product to the direct airflow from an air conditioner. Otherwise, it may cause moisture condensation inside the clear Dome due to temperature difference between internal and external of the dome camera.
12. If you install this product in a low-temp area such as inside a cold store, you must seal up the wiring pipe with silicon, so that the external air can not flow inside the housing.  
vapor inside the product due to a difference between internal and external temperature.

## CAUTION

1. Do not drop objects on the product or apply strong blows to it. Keep away from a location subject to excessive vibration or magnetic interference.
2. Do not install in a location subject to high temperature (over 50°C), low temperature (below -10°C), or high humidity. Doing so may cause fire or electric shock.
3. If you want to relocate the already installed product, be sure to turn off the power and then move or reinstall it.
4. Remove the power plug from the outlet when there is a lightning storm. Neglecting to do so may cause fire or damage to the product.
5. Keep out of direct sunlight and heat radiation sources. It may cause fire.
6. Install it in a place with good ventilation.
7. Avoid aiming the camera directly towards extremely bright objects such as sun, as this may damage the CCD image sensor.
8. Apparatus shall not be exposed to dripping or splashing and no objects filled with liquids, such as vases, shall be placed on the apparatus.
9. The Mains plug is used as a disconnect device and shall stay readily operable at any time.
10. When using the camera outdoors, moisture may occur inside the camera due to temperature difference between indoors and outdoors. For this reason, it is recommended to install the camera indoors. For outdoor use, use the camera with built-in fan and heater.

## FCC STATEMENT

This device complies with part 15 of the FCC Rules. Operation is subject to the following two conditions :

- 1) This device may not cause harmful interference, and
- 2) This device must accept any interference received including interference that may cause undesired operation.

### Caution

This equipment has been tested and found to comply with the limits for a Class A digital device, pursuant to part 15 of FCC Rules. These limits are designed to provide reasonable protection against harmful interference when the equipment is operated in a commercial environment.

This equipment generates, uses, and can radiate radio frequency energy and, if not installed and used in accordance with the instruction manual, may cause harmful interference to radio communications. Operation of this equipment in a residential area is likely to cause harmful interference in which case the user will be required to correct the interference at his own expense.



### IC Compliance Notice

This Class A digital apparatus meets all requirements of the Canadian Interference.-Causing Equipment Regulations of ICES-003.

## IMPORTANT SAFETY INSTRUCTIONS

---

1. Read these instructions.
2. Keep these instructions.
3. Heed all warnings.
4. Follow all instructions.
5. Do not use this apparatus near water.
6. Clean only with dry cloth.
7. Do not block any ventilation openings. Install in accordance with the manufacturer's instructions.
8. Do not install near any heat sources such as radiators, heat registers, or other apparatus (including amplifiers) that produce heat.
9. Do not defeat the safety purpose of the polarized or grounding-type plug.  
A polarized plug has two blades with one wider than the other. A grounding type plug has two blades and a third grounding prong. The wide blade or the third prong is provided for your safety. If the provided plug does not fit into your outlet, consult an electrician for replacement of the obsolete outlet.
10. Protect the power cord from being walked on or pinched particularly at plugs, convenience receptacles, and the point where they exit from the apparatus.
11. Only use attachments/accessories specified by the manufacturer.
12. Use only with the cart, stand, tripod, bracket, or table specified by the manufacturer, or sold with the apparatus. When a cart is used, use caution when moving the cart/apparatus combination to avoid injury from tip-over.
13. Unplug this apparatus during lightning storms or when unused for long periods of time.
14. Refer all servicing to qualified service personnel. Servicing is required when the apparatus has been damaged in any way, such as powersupply cord or plug is damaged, liquid has been spilled or objects have fallen into the apparatus, the apparatus has been exposed to rain or moisture, does not operate normally, or has been dropped.



Apparatus shall not be exposed to dripping or splashing and no objects filled with liquids, such as vases, shall be placed on the apparatus

# CONTENTS

- 1. Safety Instructions ..... 1
- 2. Product Overview ..... 1
- 3. Features ..... 2
- 4. Product Specifications ..... 3, 4
- 5. exterior ..... 5
- 6. Installation ..... 6
- 7. Installing the bracket ..... 7

## 1. Safety Instructions

The safety instructions below are prepared to avoid physical or monetary damage from an accident, so please read carefully and follow them.

Do not install the product in a place that contains salt or produces the sulphurous gas.

Do not insert metal objects or inflammable substances inside. Otherwise, it may cause an electric leakage or shock or a fire.

Put a neutral detergent on the cloth that is used to wipe on the glass surface.

Do not use chemical substances such as thinner and benzene.

Use the right tools and wires to install the product in compliance with the safety instructions.

## 2. Product Overview

This CAMERA-HOUSING is designed to install the outdoor CCTV camera securely to protect it from the external conditions.



### 3. Features

This product is a 14" camera housing that is designed to guarantee that the outdoor CCTV camera is installed securely for stable operation.

Firm and secure with the semi-permanent material, it is designed to be in harmony with the surrounding environment and to help the CCTV camera operate stably regardless of the dirt that may accumulate in the installation site and the weather condition.

In addition to the waterproofness function, it has the hinges on both sides that are manufactured in the top cover structure, which facilitates the installation and repair work.

The material of the body frame is made of aluminium that is corrosion-resistant; the front and rear sides of the housing are made of UV coating protective plastic. The product is also seamlessly sealed to protect itself from an unexpected external impact.

## 4. Product Specifications

1. Model Name : SHB-4200
2. Purpose : Outdoor Housing
3. Product Name : CAMERA HOUSING
4. Features : Dustproof, Sealed
5. Material : Body – Aluminium AL A6063.  
Front, Rear – ABS Incombustible
6. Use Condition : -15°C ~ +45 °C
7. Weight : 1.0kg
8. Dimension
  - Outside : 148mm(W) x 107mm(H) x 421mm(D)
  - Inside : 84mm(W) x 78mm(H) x 319mm(D)
9. Color
  - Ivory
10. Accessories
  - Housing
    - : ¼"-20 Unc Screw (x3), Spring Washer (x1), Flat Washer (x1)
    - PG13.5 Cable Gland (x1), Wrench(x1), Wrench Screw (x2),  
Cushion Pad (x2)
  - Bracket
    - : ¼"-20 Unc Screw (x2), Spring Washer (x2), Flat Washer (x2)

## 4. Product Specifications

1. Model Name : SHB-4200H
2. Purpose : Outdoor Housing
3. Product Name : CAMERA HOUSING
4. Features : Dustproof, Sealed
5. Material : Body – Aluminium AL A6063.  
Front, Rear – ABS Incombustible
6. Use Condition : -35°C ~ +50 °C
7. Weight : 1.1kg
8. Input Power : AC 24V
9. Power Consumption : Heater - 20W, FAN – 1.6W
10. Operation Temperature : Heater 4°C±3 °C ON  
FAN 45°C±5 °C ON

### 11. Dimension

- Outside : 148mm(W) x 107mm(H) x 421mm(D)
- Inside : 84mm(W) x 78mm(H) x 260mm(D)

### 12. Color

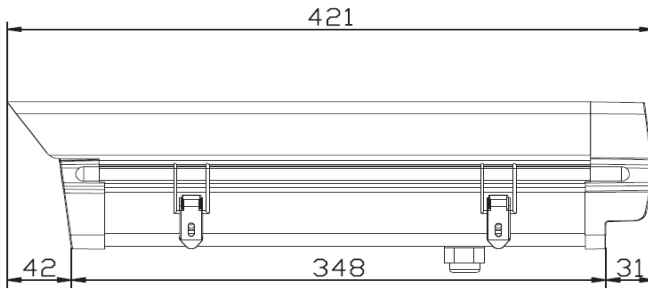
- Ivory

### 13. Accessories

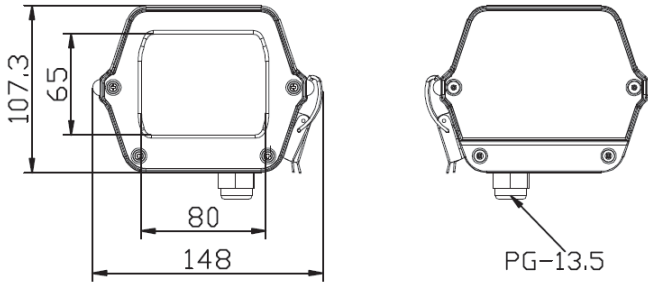
- Housing  
: ¼"-20 Unc Screw (x3), Spring Washer (x1), Flat Washer (x1)  
PG13.5 Cable Gland (x1), Wrench(x1), Wrench Screw (x2)  
Cushion Pad (x2)
- Bracket  
: ¼"-20 Unc Screw (x2), Spring Washer (x2), Flat Washer (x2)

## 5. exterior

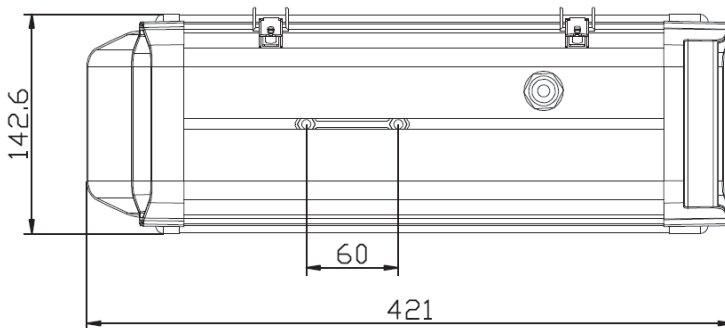
- Body



- Front, Rear

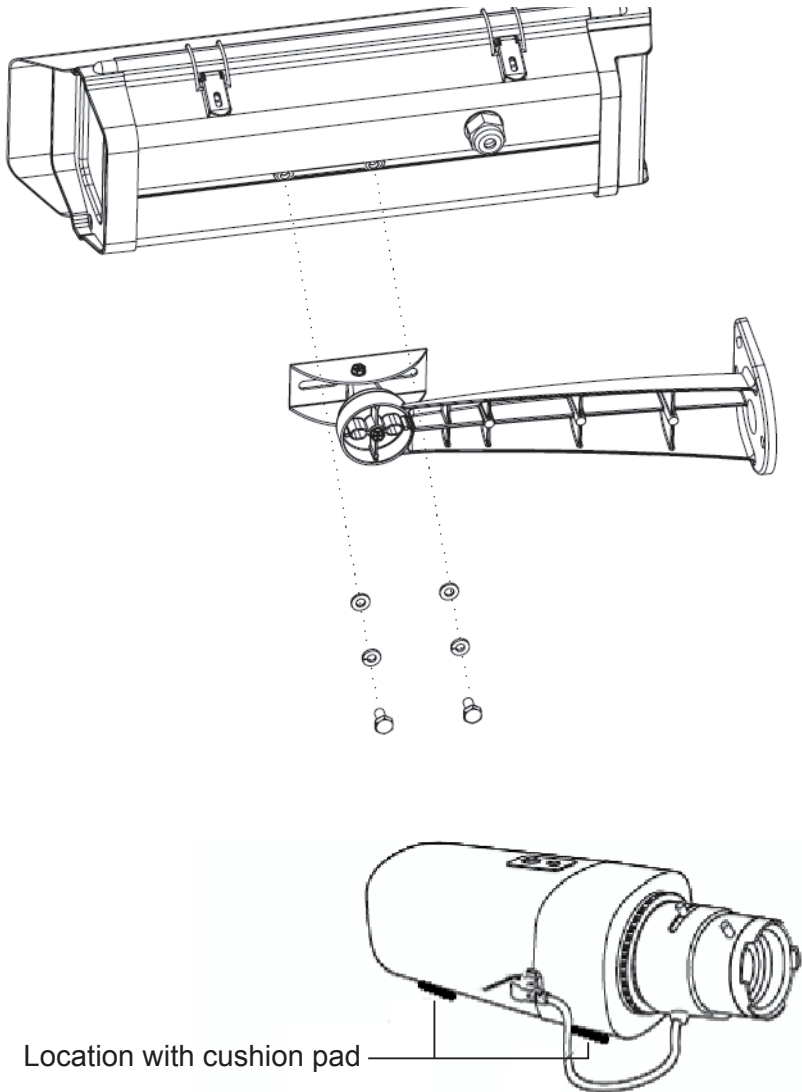


- Mount Base





## 7. Installing the bracket and the cushion pad



\* Depending on the size of the camera, the location of the cushion pads may vary.

