

Cellular Radio Installation Sheet

Part: ZW-HSPA (US) ZW-7000 (EU with SIM card) ZW-7001 (EU without SIM card)
 ZW-7041, ZW-7041-ETI (4G radio module without SIM card)

Product Summary

This module adds 3G or 4G/LTE cellular radio capability to the ZeroWire to allow reporting of system events.

Note: UTC reserves the right to check if the UTC SIM card is used in the correct modem. Improper use of the modem or SIM card can result in the product to stop operating with the UltraSync infrastructure.

Installing The Module

1. A mobile phone can provide general guidance on mobile network coverage.

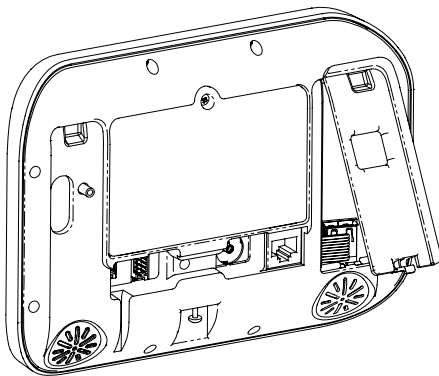
Look at the signal level on a mobile phone to verify there are 4/5 to 5/5 bars of reception in the location where you will install the ZeroWire.



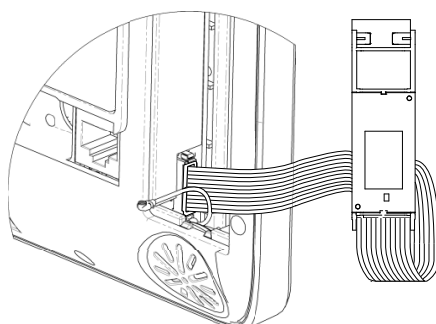
If the signal strength is low, find another location which has stronger signal levels.

Note that actual signal level can only be determined using the ZeroWire connected to a specific network, which may be different than your phone.







2. If a cellular radio module is pre-installed, skip to the Check Signal Level section. If not, remove the cover on the right.



3. Locate the 10-pin lead inside the ZeroWire and connect this to the radio module.



Check Signal Level

1.   Select main menu - Option 4, System Test.
2.  Enter your Installer code.
3.  Check Cellular Signal Level
4.   Exit from the Advanced system configuration menu.

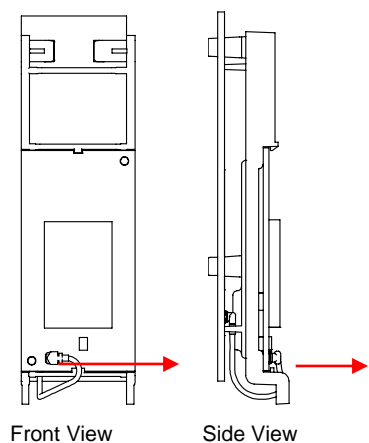


- If the reported value is -88 to -51 then the signal level is OK. **In this case, please jump to the Completing Installation section.**
- If the reported value is -121 to -89 then installing an external antenna is recommended. **In this case, follow steps below to install an external antenna to improve the signal level.**

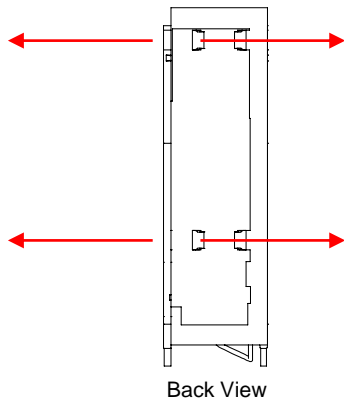
Note: Remember that signal levels vary day to day and are not absolute values.

Installing The Optional External Antenna (ZW-ANT3M)

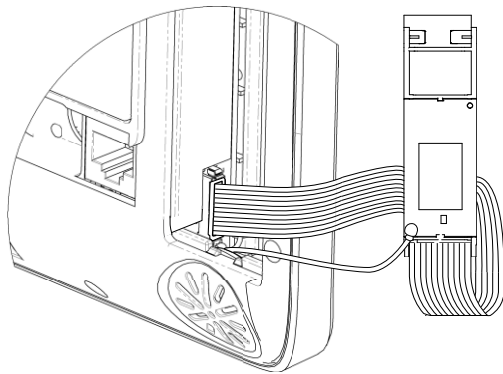
1. Disconnect the antenna cable from the radio module.



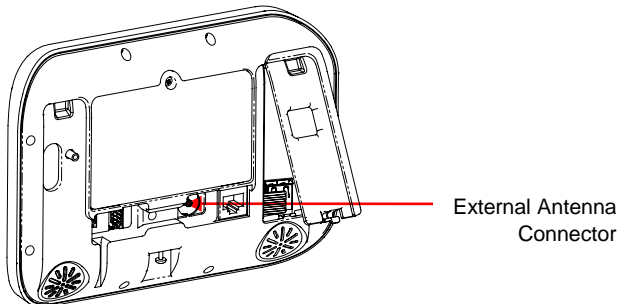
2. Gently push retaining clips outwards and remove rear circuit board. This is the internal antenna which will no longer be needed.



3. Connect the internal antenna cable from the ZeroWire to the radio module.



4. Connect a high gain antenna to the antenna socket shown below and retest signal level.



5. Move the ZeroWire or the antenna to another location if the signal is still too low.

Completing Installation

1. Insert the whole radio module in to the ZeroWire taking care not to crimp any cables.
2. Replace the modem cover on the ZeroWire

Specifications


Voltage	5 VDC (provided by panel)
Current	40 mA min / 750mA max at 9 V
Maximum power output @ Wireless operating frequency	37 dBm @ 880-915 MHz / 925-960 MHz 24 dBm @ 1 920-1 980 MHz / 2 110-2 170 MHz
External connector	MMCX
Dimensions (W × H × D)	28 × 95 × 18 mm

Storage temperature	-34° to 60°C (-30° to 120°F)
Weight	50 g
Operating environment	
Temperature	0° to 49°C (32° to 120°F)
Relative humidity	maximum 90% noncondensing

Regulatory information

Manufacturer	Placed on the market by: UTC Fire & Security Americas Corporation, Inc. 3211 Progress Drive, Lincolnton, NC, 28092, USA Authorized EU manufacturing representative: UTC Fire & Security B.V. Kelvinstraat 7, 6003 DH Weert, Netherlands
--------------	--

US/C compliance	 FCC ID: XPYSARAU260 IC: 8595A-SARAU260
-----------------	--

AUS compliance	
----------------	--

EU compliance	 INCERT C-001-1301
---------------	--

Product warnings and disclaimers

THESE PRODUCTS ARE INTENDED FOR SALE TO AND INSTALLATION BY QUALIFIED PROFESSIONALS. UTC FIRE & SECURITY CANNOT PROVIDE ANY ASSURANCE THAT ANY PERSON OR ENTITY BUYING ITS PRODUCTS, INCLUDING ANY "AUTHORIZED DEALER" OR "AUTHORIZED RESELLER", IS PROPERLY TRAINED OR EXPERIENCED TO CORRECTLY INSTALL FIRE AND SECURITY RELATED PRODUCTS.



For more information on warranty disclaimers and product safety information, please check <https://firesecurityproducts.com/policy/product-warning/> or scan the QR code.

European Union directives

UTC Fire & Security hereby declares that this device is in compliance with the applicable requirements and provisions of all applicable rules and regulations, including but not limited to the Directive 2014/53/EU. For more information see: <https://www.utcssecurityproducts.eu/>



2012/19/EU (WEEE directive): Products marked with this symbol cannot be disposed of as unsorted municipal waste in the European Union. For proper recycling, return this product to your local supplier upon the purchase of equivalent new equipment, or dispose of it at designated collection points. For more information see: www.utcssecurityproducts.eu/recycle/

Contact information

www.utcfireandsecurity.com

Customer support US

Interlogix Technical Support
Tel +1 855 286 8889 (Option 2)
techsupport@interlogix.com
www.interlogix.com

Customer support Europe

For customer support EMEA, see www.utcssecurityproducts.eu