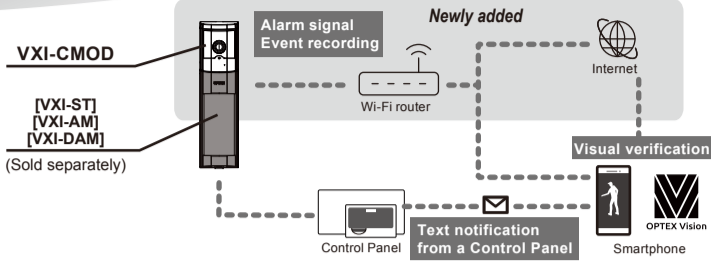


Visual Verification
Wi-Fi CAMERA module
VXI-CMOD
for VXI-ST/-AM/-DAM

Get PDF file and also troubleshooting information at the following website.



<http://navi.optex.net/manual/50262>



FEATURES

When the VXI-ST/-AM/-DAM generates an alarm signal, the VXI-CMOD starts recording a 30 second video clip onto the microSD card. The clip can then be reviewed via your smart phone from a remote location.

- 180 degree View Angle
- Night vision with strong & wide IR light
- Sensor trigger recording function with a 2 second pre-recording
- Power from a control panel can be used for both the VXI-CMOD and the VXI-ST/-AM/-DAM

1 INTRODUCTION

1-1 BEFORE INSTALLATION

- Read this INSTALLATION & OPERATION MANUAL carefully prior to installation.
- After reading, store this manual carefully in an easily accessible place for reference.
- This manual uses the following indications for correct use of the product, harm to you or other people and damage to your assets, which are described below. Be sure to understand the description before reading the rest of this manual.

⚠ Warning	Failure to follow the instructions provided with this indication and improper handling may cause death or serious injury.
⚠ Caution	Failure to follow the instructions provided with this indication and improper handling may cause injury and/or property damage.

⊘ This symbol indicates prohibition.

⚠ Warning

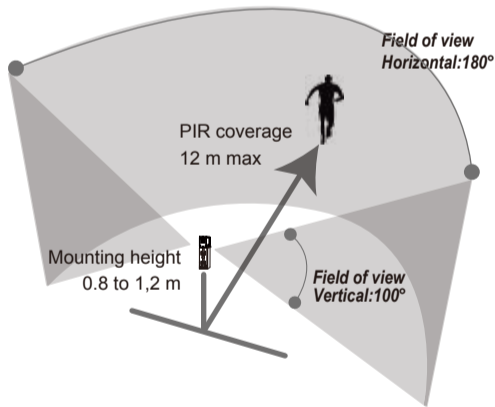
⚠ Caution

● The radio environment and a smart phone may affect the Wi-Fi communication state.

- Do not drop the product and/or avoid scratches on the lens as it may affect its performance.
- Be careful to avoid pinching the wires when assembling.
- Read and follow the instructions provided with the VXI-ST/-AM/-DAM.

NOTE Adjust, set and check the VXI-ST/-AM/-DAM before starting the VXI-CMOD installation. It is hard to access to the inside of the VXI-ST/-AM/-DAM after mounting the VXI-CMOD. Refer to the manual of VXI-ST/-AM/-DAM.

1-2 CHOOSE LOCATION



1-3 LOCAL STORAGE

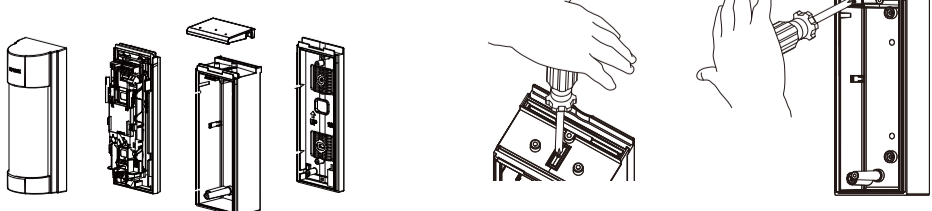
- microSD card**
- For local storage use, a microSD card (not included) is required.
 - Suitable microSD cards are as follows:
 - FAT 32 format
 - 32 GB max.
 - Format in OPTEX Vision App
 - Power off the VXI-CMOD when installing microSD card.
 - To power down the VXI-CMOD disconnect the power or remove the ribbon cable.
 - There is a 120 second boot up cycle.

1-5 PARTS IDENTIFICATIONS

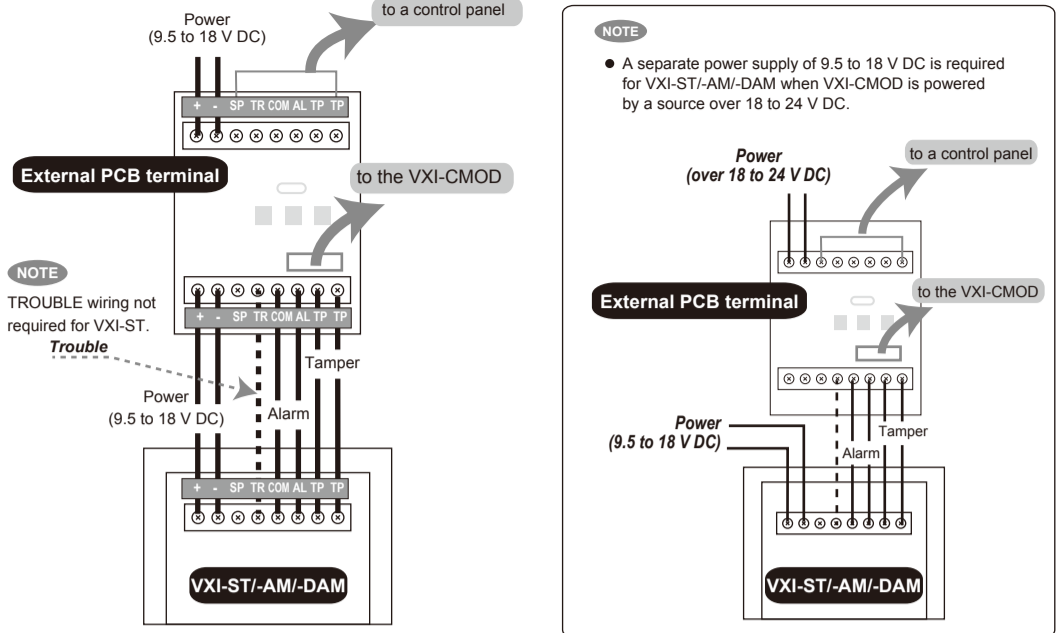
< Accessories >

2 INSTALLATION

- Disassemble the VXI-ST/-AM/-DAM while referring to 2-1 1 through 4 in the installation instructions of the VXI-ST/-AM/-DAM.
- Make wiring knockout holes on the back box of the VXI-ST/-AM/-DAM.



- Connect between terminals of VXI-ST/-AM/-DAM and the external PCB terminal.



NOTE
TROUBLE wiring not required for VXI-ST.

NOTE

- If the PEU (Plug-in EOL) option is used on the VXI-ST/-AM/-DAM, remove it from the terminal, then place it in the external PCB terminal of the VXI-CMOD.
- Adjust the switch settings, if necessary.

Position	Recommended distance (max.)	Current draw (max.) at 12 V DC
high	12 m	1.0 A
low (default)	6 m	400 mA

- The external antenna (option) for the VXI-CMOD can extend the reach of the Wi-Fi communication. Follow this instruction only if external antenna is needed.

- Set the antenna internal/external switch to EXT.
- Mount the bracket and set the main body.
- Connect cables to the VXI-CMOD.

▶ Jump to step 4, if the OPTEX Vision App has already been installed.
▶ Jump to step 5, if the Wi-Fi network has already been set.

3 APP INSTALLATION

- Visit either the App store or Google play.
- Search for OPTEX Vision in the store.
- Download and install the OPTEX Vision application.

Requirement;
iPhone 5S with iOS 9.0 or later.
Android smartphone 5.X or later.

4 SETUP WIZARD

- Start the OPTEX Vision application.
- Tap "Add Device" to start "Setup Wizard".

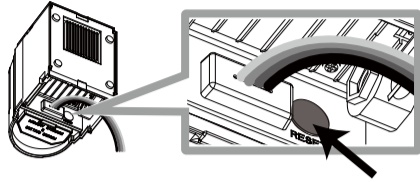
- 3 When the "Setup Wizard" requires a Device ID input, use one of the following:
- Remove the CMOD cap and find the QR code which is located on the top of VXI-CMOD.
 - Read the QR code label included in the package of the VXI-CMOD.
 - Direct input to the OPTEX Vision.
- 4 Follow the "Setup Wizard" to join your Wi-Fi network.
- Record the Wi-Fi network SSID and password. Note them on [1] [2] below.
- Wi-Fi network**
- [1] SSID; _____
- [2] Password; _____
- Place the Device ID QR code label on [3]. It is included in the package of VXI-CMOD.
- [3] Device ID; _____
- [3] Place the QR code label here

NOTE

- The default password is 123456, which will need to be appropriately changed upon setup.
 - For iOS only**
The following information is required to change the Wi-Fi network in the "Setup Wizard"
- Wi-Fi direct**
SSID: HD-xxxxxx *
Password: **12345678**
- * "xxxxxx" contains random numbers that are common to the part of the Device ID.

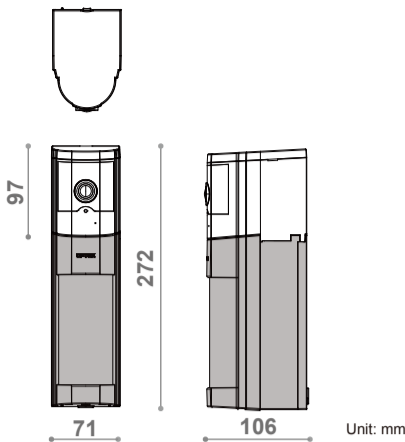
IMPORTANT

- Reset to the factory default**
 - If the "Setup Wizard" procedure fails for any reason (e.g input wrong Wi-Fi password), reset the unit by holding the "RESET" button for 10 seconds.
 - Stored event data are not deleted by the reset operation.



7 SPECIFICATIONS

7-1 DIMENSIONS



NOTE

For installers

After the installation is complete, check the full operation of the product. Explain to all users the operation of the product and make sure that it is fully understood. Provide all users with a copy of this "INSTALLATION & OPERATIONAL MANUAL" for future reference.

For users

Upon completion ensure you are provided with comprehensive training on this product. Keep a copy of this "INSTALLATION & OPERATION MANUAL" for future reference.

Users are responsible to position the camera such a way that it does not look into someone else's property.

7-2 SPECIFICATIONS

Model	VXI-CMOD
Wireless connectivity	IEEE 802.11 b/g/n
Data encryption	AES 128-bit data encryption via proprietary P2P connection protocol
Security	WEP/ WPA/ WPA2 (TKIP, 128-bit AES)
Simultaneous viewers	Max. 3 Concurrent viewers *
Image sensor	Full HD
Image resolution	1080P/720P/VGA (Selectable from App)
Viewing angle	H: 180° V: 100°
Minimum illumination	0 lux. (with IR illumination)
Night vision	IR LED with IR-Cut switcher
Image compression	H.264 High profile
Image resolution	Full HD
Frame rate	15 FPS
Recording period	30 sec. (inc. 2 s pre-record)
Memory Storage	microSD card (32 GB max.) <i>Not included/ Only FAT 32 format compatible/ Formatable from OPTEX Vision App</i>
Power supply	9.5 to 24 V DC
Power consumption	IR low mode: 400 mA max./IR high mode: 1.0 A max. at 12 V DC
Wake up time	2 min.
Recording trigger	Alarm, Tamper, Trouble (N.O./N.C.)
LED indicator	Power LED
Microphone	1 input
IR Mode selector	high/low
Internal/ External antenna selector	Internal/ External selectable <i>External antenna [CMOD-ANT] is sold separately.</i>
Location	Outdoor/Indoor
Operating temperature	-10°C to +50°C
Operating humidity	90% max. (Non condensed)
IP rate	IP 55
Weight	280 g

* Performance may be impacted when connecting to multiple smartphone simultaneously.
- Web service is subject to termination without prior notice.
- Specifications and designs are subject to change without prior notice.

5 OPERATION CHECK

- Device List**

Check the VXI-CMOD is displayed on the Device List.
- Live View**

Confirm the Live View through the VXI-CMOD.
- Recording**

Try to record the Live View onto the microSD card.
- Sensor trigger recording**

Test the total operation of the VXI-ST/-AM/-DAM and VXI-CMOD. Confirm that the event is recorded by the trigger of the VXI-ST/-AM/-DAM.

6 ASSEMBLING

- Remove the CMOD cap and mount the VXI-CMOD on the camera mount.
- Fix the VXI-CMOD with the lock screw.
- Replace the CMOD cap.

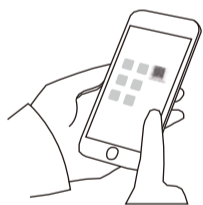
<< How to use the OPTEX Vision App >>

1 Responding to an alarm

Receive SMS from a control panel or App notification



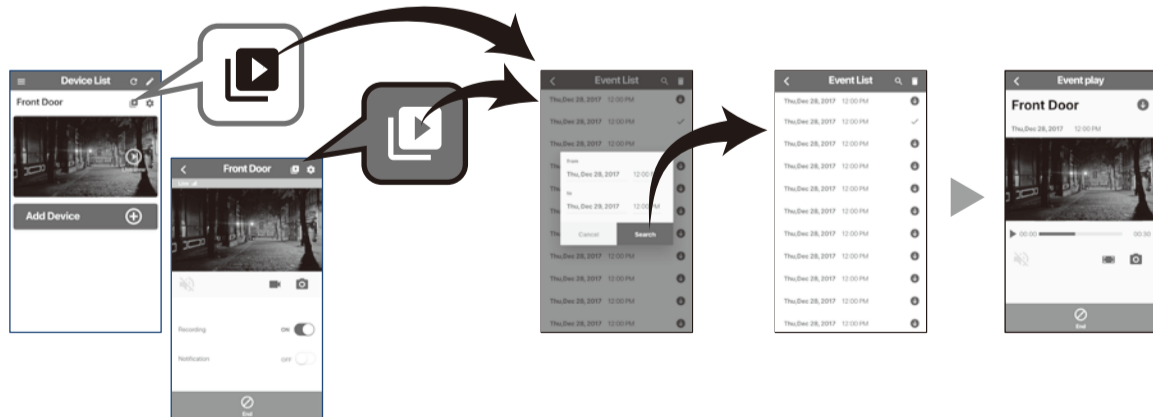
Start the OPTEX Vision application.



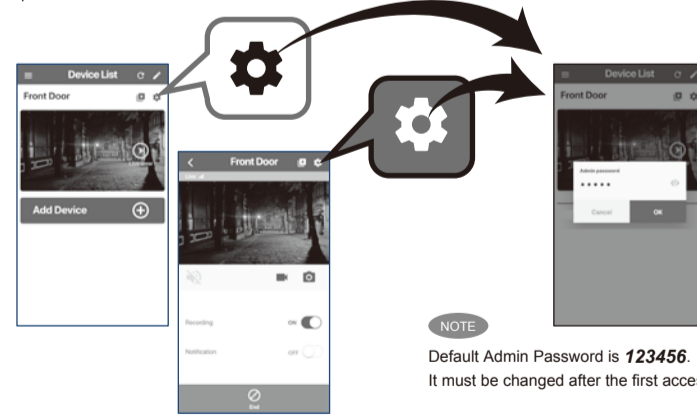
2 Check live view



3 Search stored events



4 Settings



NOTE

Default Admin Password is **123456**. It must be changed after the first access to "Settings".

Hereby, OPTEX declares that the radio equipment type VXI-CMOD is in compliance with RED 2014/53/EU. The full text of the EU DoC is available at the following internet address; **EU DoC; www.optex.net**

Optex VXI-CMOD shall be supplied by a SELV and LPS (or UL1310 class 2) power supply or connected to a dedicated control unit with SELV and LPS output.

EU contact information

Manufacturer:
OPTEX CO., LTD.
5-8-12 Ogoto, Otsu,
Shiga, 520-0101 JAPAN

Authorised representative in Europe:
OPTEX (EUROPE) LTD./EMEA HEADQUARTERS
Unit 13, Cordwallis Park, Clivemont Road,
Maidenhead Berkshire, SL6 7BU U.K.



OPTEX INC./AMERICAS HQ (U.S.)
URL: www.optexamerica.com

OPTEX (EUROPE) LTD./EMEA HQ (U.K.)
URL: www.optex-europe.com

OPTEX TECHNOLOGIES B.V. (The Netherlands)
URL: www.optex.eu

OPTEX CO., LTD. (JAPAN)
URL: www.optex.net

OPTEX SECURITY SAS (France)
URL: www.optex-europe.com/fr

OPTEX SECURITY Sp.z o.o. (Poland)
URL: www.optex.com.pl

OPTEX PINNACLE INDIA, PVT., LTD. (India)
URL: www.optexpinnacle.com

OPTEX KOREA CO.,LTD. (Korea)
URL: www.optexkorea.com

OPTEX (DONGGUAN) CO.,LTD. SHANGHAI OFFICE (China)
URL: www.optexchina.com

OPTEX (Thailand) CO., LTD. (Thailand)
URL: www.optex.co.th

Copyright (C) 2018 OPTEX CO.,LTD.