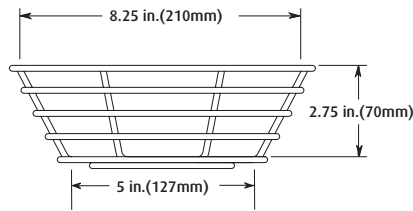


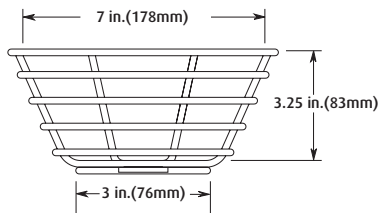


Safety Technology International, Inc.
 2306 Airport Road • Waterford, Michigan 48327-1209
 Phone: 248-673-9898 • Fax: 248-673-1246
 Toll Free: 800-888-4784 • E-mail: info@sti-usa.com
 Web: www.sti-usa.com

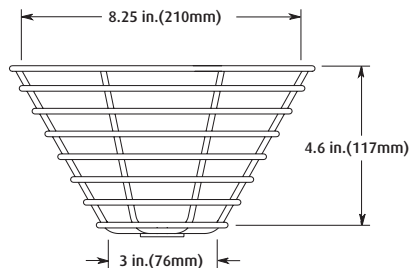
Safety Technology International (Europe) Ltd.
 Unit 49G Pipers Road • Park Farm Industrial Estate • Redditch
 Worcestershire • B98 0HU • England • Tel: 44 (0) 1527 520 999
 Fax: 44 (0) 1527 501 999 • Freephone: 0800 085 1678 (UK only)
 E-mail: info@sti-europe.com • Web: www.sti-europe.com



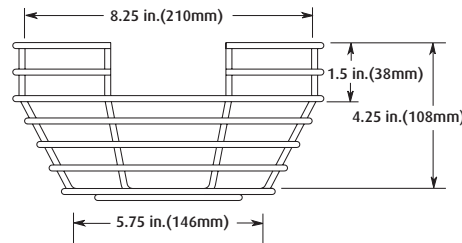
STI-9601
STI-9601-SS



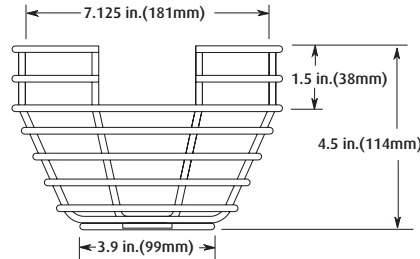
STI-9604
STI-9604-SS



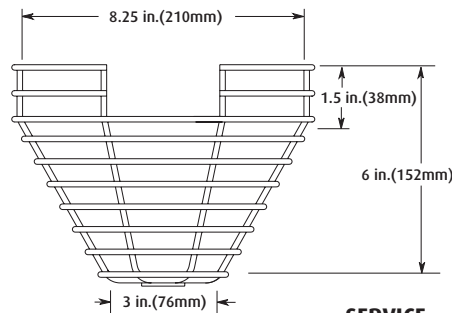
STI-9609
STI-9609-SS



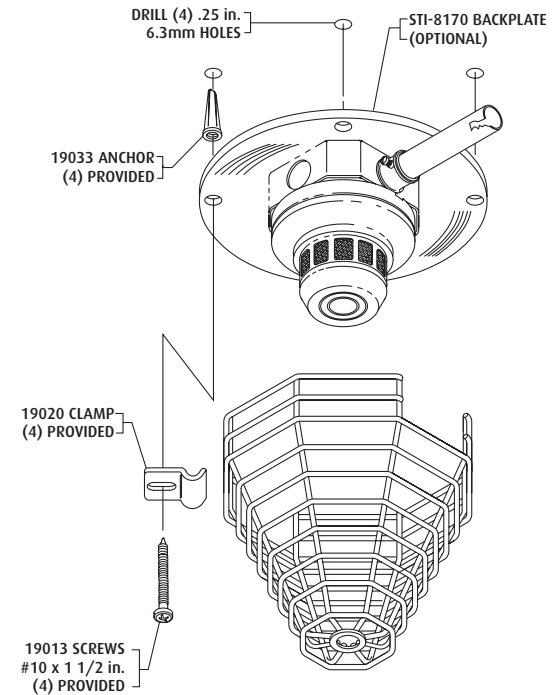
STI-9602



STI-9605
STI-9605-SS



STI-9610



IMPORTANT

Do not attempt to install the wire guard until the smoke sensor has been tested and in proper working order according to the manufacturer's installation instructions furnished with the sensor unit.

INSTALLATION

- Center the wire guard over existing smoke detector.
- Mark and drill (4) mounting holes (see pictorial for size). Insert anchor into ceiling. **NOTE:** If lag shields and lag bolts are used, make sure anchor is flush with surface. Position guard, insert lag bolts and tighten. Length of bolt should be selected to assure full thread engagement in anchor.
- STI-8170 BACKPLATE - STI recommends the use of this plate on all unstable mounting surfaces.
- Insert screws through clamps and backplate (if used) and screw into anchors; but do not tighten.
- Position guard over detector, slide clamps onto top wire of guard and tighten screws.

SERVICE

- Periodic cleaning of the smoke detector is required so dust and other matter do not accumulate.
- To service the smoke sensor unit, loosen but do not remove the (4) screws rotate clamps and carefully remove wire guard.

OPTIONAL ACCESSORIES

- SUB-82 - #8 x 1 1/2" spanner tamper resistant stainless steel screw kit.
- 19038 - #8 spanner bit with 5/16" hex drive.

APPROVALS

STI-9601, STI-9602, STI-9604, STI-9605

UL Listed No. S3504 for use with Listed low profile smoke detectors

STI-9609, STI-9610

UL Listed No. S3504 for use with Listed high profile smoke detectors

INSTALLATION OF STI CEILING MOUNTED SMOKE DETECTOR GUARDS

All specifications and information shown were current as of publication and are subject to change without notice.