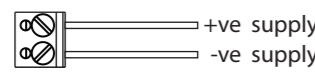
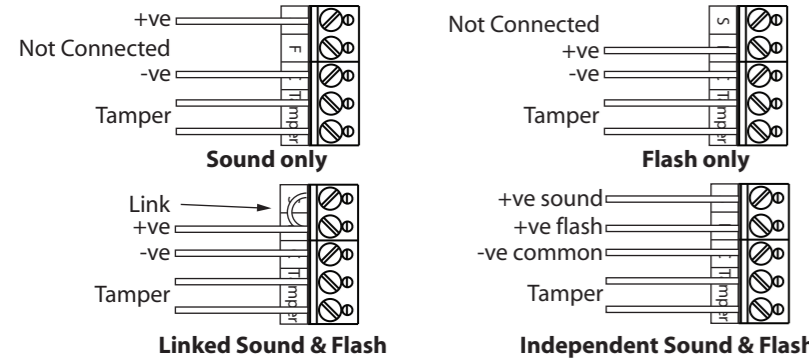


### Connection Examples

S = Sound +ve  
 F = Flashing LED's +ve  
 C = Common -ve  
 Tamper x 2 = Lid and mounting surface tamper.  
 System status indication x 2



System status indication. (Permanently illuminates LED's at lower intensity.)

### Specifications

**Technical**  
 Nominal Voltage: 12 volts DC  
 Voltage range: 9-15 volts DC  
 Sounder Type: Tone (Piezo)  
 Sound output level: 112 dB (A) @ 1 metre  
 Sound only Current: 84mA @ 12volts dc  
 Sound duration: Determined by control panel.  
 Flash only current: 17mA @ 12volts dc  
 Sound and flash: 100mA @ 12volts dc  
 System Status Current: 4mA @ 12volts dc  
 Temperature Range: -15° C to +40° C

**Tamper Detection**  
 Lid and mounting surface removal.

**Housing**  
 Base Material: Polycarbonate  
 Lid Material: ABS  
 Dimension (mm): 125mm x 85mm x 37.5mm  
 EN50131-1:2006 + A1:2009

EN50131-4:2009 :Security Grade 3 Environmental Class II  
 Warning device type :Internal Remotely Powered

**Safety Precautions**  
 Always observe local regulations when disposing of this unit  
 Plastic bags can suffocate, always dispose of packaging carefully  
**Environmental Advice.**  
 This product is covered by current WEEE regulations. Please consider the effect on the environment when disposing of it. Do not put in a domestic waste bin. Only dispose of at an appointed recycling centre.

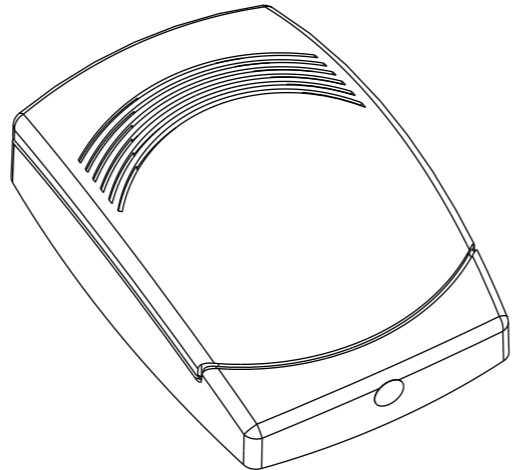


## SO/PICCOLO/\*\*/G3 12 volt Internal Sounder

\*\* denotes lens and lid colour  
 Low profile design.  
 115dB sound output.  
 Selectable alternating or continuous tone.  
 Flashing alarm indication.  
 System status indicator  
 Low current consumption.  
 Tamper protected lid and mounting.



## Operating and Installation Instructions

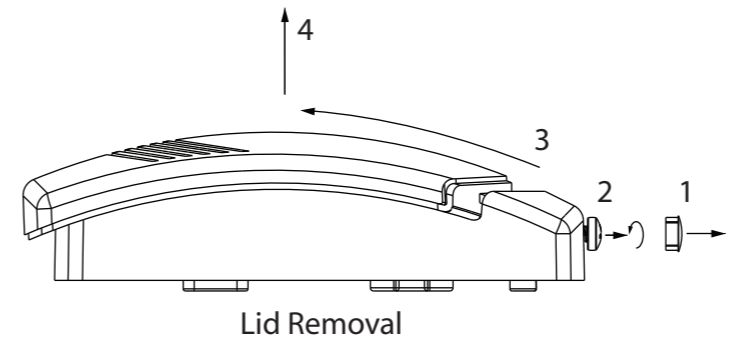
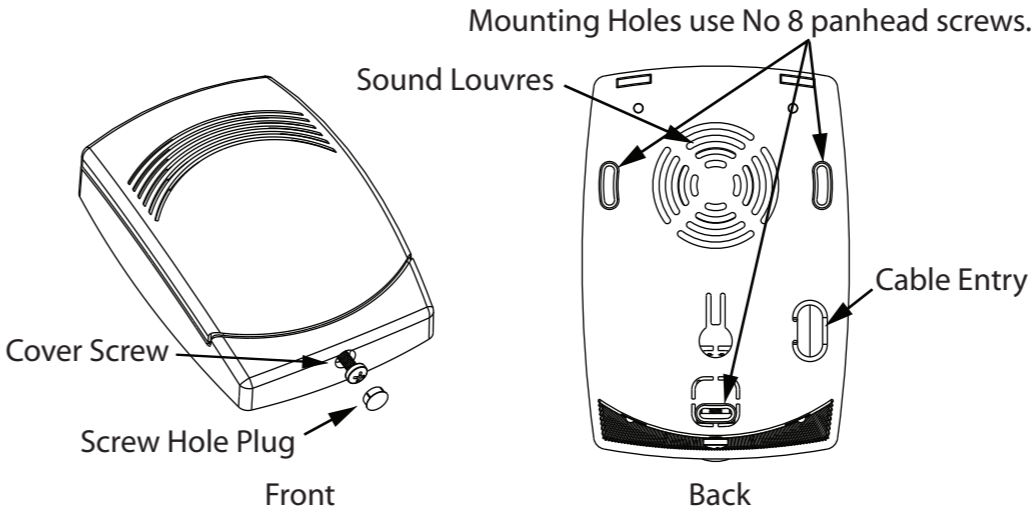
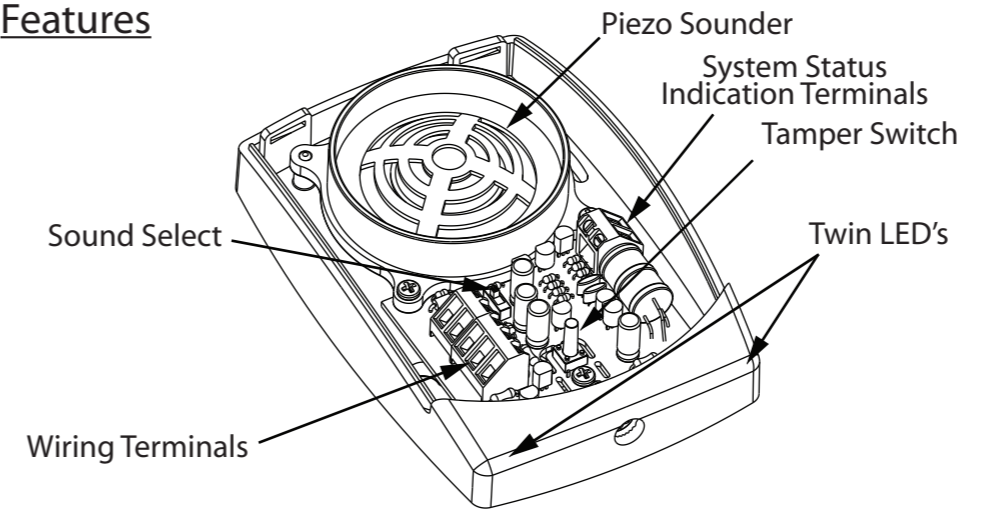


### Description

This remotely powered internal sounder can be installed in security systems up to and including Grade 3 Environmental class II in accordance with EN50131:2006 + A1:2009. It is certified by Telefication to EN50131-4:2009. The warning device gives an audible and visual signal of alarm activation. The LED's can also be wired independantly to indicate the system status. The sound output is selectable for either alternating or continuous tone. It is also protected against tampering by means of lid removal and removal from the mounting surface.

**CQR Security. 125, Pasture Road, Moreton, Wirral. CH46 4TH, United Kingdom**  
 Tel: +44 (0) 151 606 9595 Support: +44 (0) 151 606 6311 email: info@cqr.co.uk Web http://www.cqr.co.uk

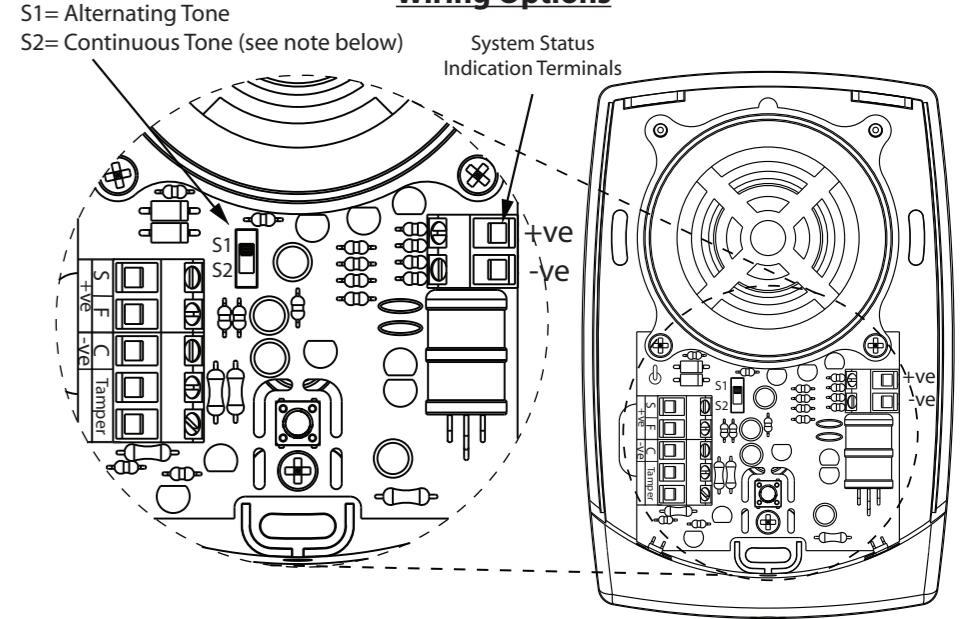
### Features



### Mounting Instructions

Identify a suitable mounting location for the sounder on a flat wall. To remove the lid, use a cross point screw driver to unscrew the lid retaining screw enough turns so that the lid is released. Grip both sides or by pressure to the lid top, push the lid away from the screw as shown in the diagram. The lid can now be removed completely. Using the sounder as a template, mark the fixing points on the surface of the selected location. Drill 3 x 5mm holes for the enclosed wall plugs, insert the wall plugs into the holes, feed the cable through the cable entry point on the sounder and using No8 panhead screws, fix the sounder to the selected location. Please note in order for the sounder's tamper protection to detect unauthorised removal from the mounting surface, which is a requirement for grade 3, the bottom fixing hole must be used. Do not overtighten this screw as this is a one time operation and if broken or damaged the sounder will need to be replaced.

### Wiring Options



There are five terminals for the connection of wires as shown above. To activate either the sounder or the flashing LED's, connect a negative to the common negative terminal (C-ve) and connect a positive to the appropriate positive terminal ( S+ve or F+ve). To stop the sound or flashing LED's, remove the positive. Terminate the wires into the appropriate terminals. The sound and flash can be wired independently or together, see wiring diagrams over. The default setting for the tone is alternating, to change this to continuous, move the switch from position S1 to S2. **Please note that continuous tone does not comply with EN50131-4** In addition to the five main terminals there are also two extra terminals which can be wired independantly to a 12 volt supply from the control panel, this continuously powers the two main LED's at a lower intensity and can be used to indicate the system status i.e. set/unset. Once the unit is wired up, replace the lid by reversing the instructions overleaf. Secure the lid with the screw and finally fit the screw hole plug supplied.