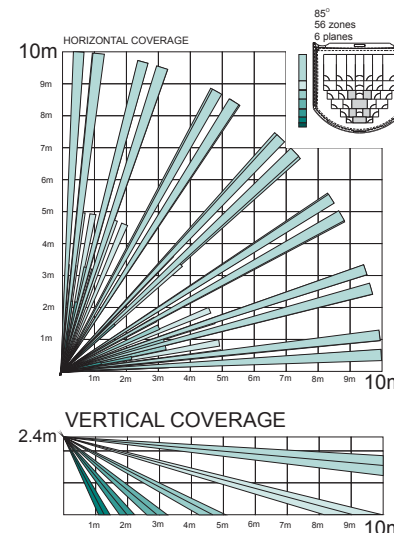


## KX10DP-WE<sup>®</sup> Specifications

Model:	KX10DP-WE <sup>®</sup> 10m Internal detector
Colour:	White
Casing:	3mmABS, 0.4mm HDPE in LensArea
Transmission Frequency:	868MHz, FMTransceiver Narrow Band
Transmission Method:	Fully Encrypted Rolling Code
Transmission Range:	300m Free Space
Detection Method:	Low Noise Pyroelectric Sensor
Sensitivity:	High, Low
Temperature Compensation:	Advanced Automatic
Detection Range:	10m
Detection Zones:	28 beams positive and 28 beams negative
Detection Speed:	0.3 - 3.0 m/s
Detection Angle:	85°
Battery:	3.0V CR123A Lithium
Low Battery Threshold:	2.5V +/- 5% at 25°C
Battery Life:	Greater than 2 years
Nominal Mounting Height:	2 - 2.4m
Tamper Switch:	Front + RearTamper
Storage Temperature:	-20°C to 50°C
Certified Operating Temp:	-10°C to 40°C
Nominal Working Temp:	-10°C to 50°C
Accessories:	Wall and ceiling mounting brackets optional
Emissions:	EN55022 Class B
Immunity:	EN50130-4

## Coverage Pattern



The detector will tolerate animals of up to 20kg



This product is approved for use in the Residential, Commercial and Light Industrial Environment.



**EN50131-2-2:2008**  
**EN50131-5-3:2005+A1:2008**  
**PD6662:2010**  
Security Grade 2  
Environmental Class II

**NOTE: Only the KX10DPHT-WE has been certified by IMQ.**

Customer Support Line : +44(0)845 6434 999  
or telephone +44(0)1709 535225

E-mail: [customer.support@pyronix.com](mailto:customer.support@pyronix.com)  
website: [www.pyronix.com](http://www.pyronix.com)  
Pyronix Limited, Secure House, Braithwell Way,  
Hellaby, Rotherham, S66 8QY. UK

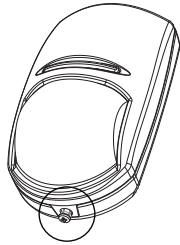
### WARRANTY

This product is sold subject to our standard warranty conditions and is warranted against defects in workmanship for a period of two years (batteries excluded)

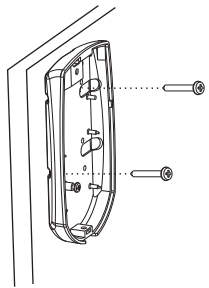
In the interest of continuing improvement of quality, customer care and design, Pyronix Ltd reserves the right to amend specifications, without giving prior notice.

## Installation

### CASE LID SCREW FITTING

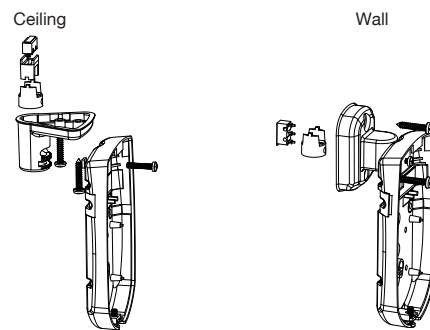


## Wall Mounting



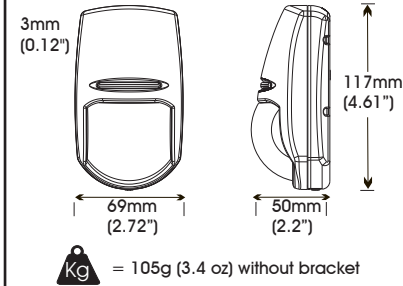
NOTE: When mounting the detector, ensure that it is not tilting backwards.

## Optional Bracket Fitting



Part number: FPKXBRACKET

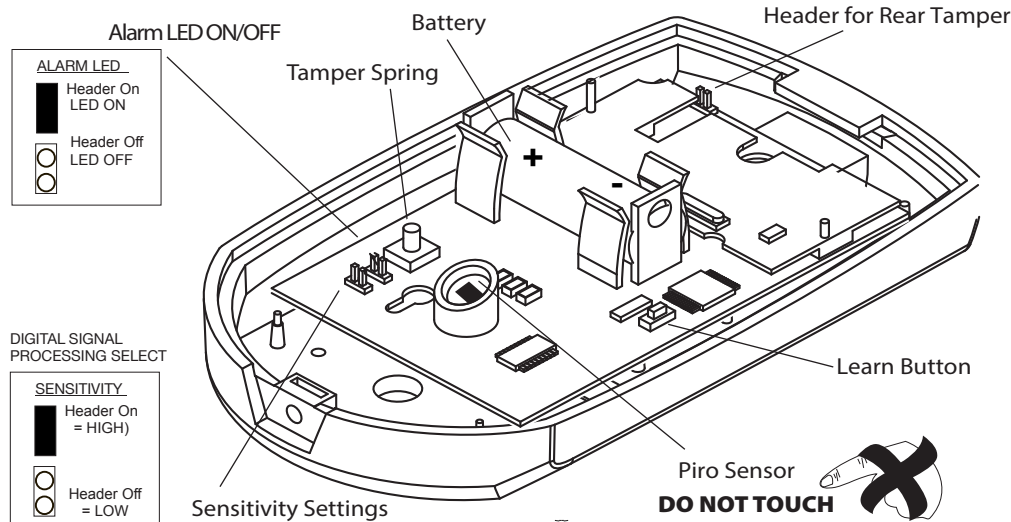
## Dimensions



## Avoiding False Alarms

1. The detector will tolerate animals of up to 20kg.
2. Avoid mounting the detector facing stairs.
3. Avoid mounting the detector in direct sunlight.
4. Avoid mounting the detector in direct view of heaters/radiators.
5. Any windows in the area where the detector is installed must be closed.
6. Mount the detector on a stable surface.
7. Do not partially or completely obscure the detectors field of vision with large objects.

## The KXIODP-WE Printed Circuit Board



## Changing The Battery

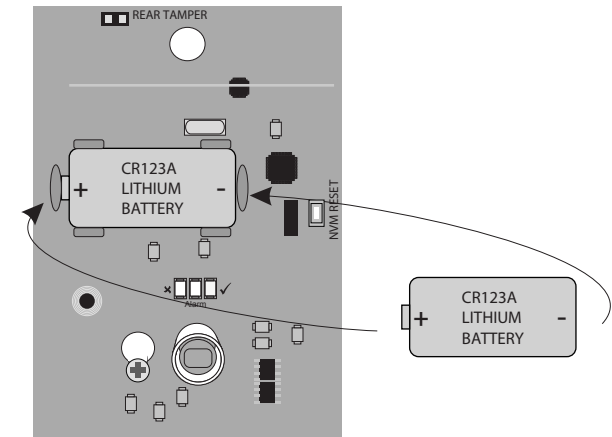


The batteries supplied have been chosen to provide long service life whilst, for safety reasons, having limited output current.

Replace only with approved batteries.



To prevent possible damage to components, any static charge on your body needs to be eliminated before touching the inside of the unit. This can be accomplished by touching some grounded/earthed metallic conductor such as a radiator/pipework immediately before replacing the batteries.



## Learning the KXIODP-WE onto the Enforcer 32-WE Control Panel

When you are ready to learn the device to the control panel receiving equipment, and when the equipment is in the learn mode follow the procedure below:

1. Make sure the battery is installed correctly and the plastic wrapping removed.
2. **Press and Hold the Learn button** until the 3 LEDs start cycling through the different colours, then release the Learn button.
3. The device is correctly learnt when the Green LED flashes.

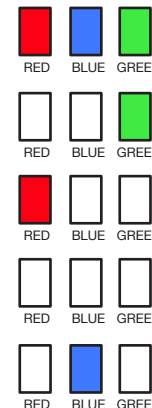
The three coloured LEDs give a visual indication of the signal strength.

Green indicates good signal strength and is a good location to install.

Red indicates poor signal strength and the device should not be installed in that position.

If no LED illuminates then the device is completely out of range.

The blue LED will illuminate when the device is activated



## Declaration



When disposing of the product, the battery must be removed and disposed of separately in accordance with the local regulations



For electrical products sold within the European Community. At the end of the electrical products life, it should not be disposed of with household waste. Please recycle where facilities exist. Check with your Local Authority or retailer for recycling advice in your country.

Please see the Enforcer 32-WE user, programming and quick set up manuals for further information