



# LDACH42TNS01

5" Ceiling Mount Loudspeaker with Fire Dome



0359

0359-CPR-00240

DoP No.: CPR-DoP-2013001



Thank you for purchasing LDA LDACH42TNS01. Widely used in commercial buildings and public facilities, LDA product is manufactured in strict accordance with ISO 9001 standards. Please read this manual before installation and follow all instructions.

## Technical specifications

### Electrical

Max power	9 W
Rated power	6 W
Power tapping	6 W / 3 W / 1.5 W / 0.75 W
Sensitivity	79 dB
(1W/4m, 100Hz~10kHz)	
SPL(1W/1m, 100Hz~10kHz)	91 dB
SPL(6W/4m, 100Hz~10kHz)	88 dB
Frequency response	180 Hz ~ 20k Hz
(-10 dB)	
Rated input voltage	100 V / 70 V
Rated impedance	1.7k $\Omega$ / 3.3k $\Omega$ / 6.7k $\Omega$ / 13k $\Omega$
Connection	Ceramic terminal

### Mechanical

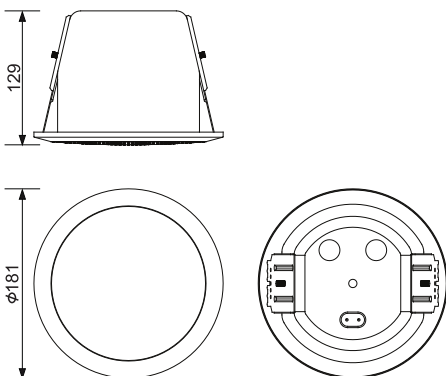
Dimensions	$\varnothing$ 181 mm x 129 mm
Weight	1.29 kg
Color	RAL9003 (Panel) RAL3000 (Fire Dome)
Speaker size	5"

### Environmental

Operating temperature	-25°C to +55°C
Storage temperature	-40°C to +70°C
Relative humidity	<95%

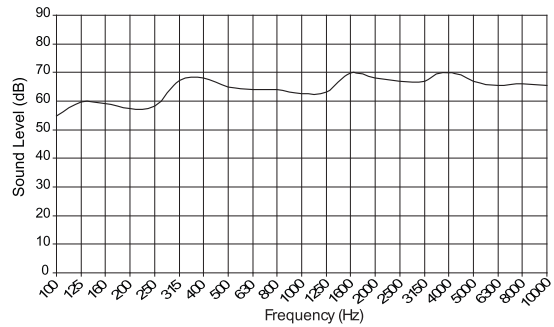
- \* The reference axis is perpendicular to the centre point of the front grill
- \* The reference plane is perpendicular to the centre of the reference axis
- \* The horizontal plane is perpendicular to the centre of the reference plane
- \* The spec/data was measured using standard baffle mounting in an anechoic chamber as described in EN54-24

## Front and back views

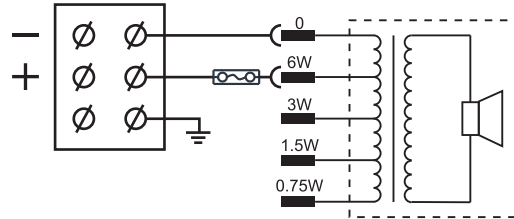


Unit: mm

Frequency Response at dBspl(20uPa)@4m, 1W/41.2V input, 1/3 oct smoothing)



## Frequency response



## Circuit diagram

With transformer:  
100V/70V line

	Red wire plus tapping				Black
100V	0.75W	1.5W	3W	6W	Com
70V	0.375W	0.75W	1.5W	3W	Com
IMP( $\Omega$ )	13K	6.7K	3.3K	1.7K	

## Dispersion angles

		Horizontal	Vertical
1 oct. pink noise	500 Hz	187°	174°
1 oct. pink noise	1K Hz	173°	174°
1 oct. pink noise	2K Hz	151°	152°
1 oct. pink noise	4K Hz	59°	58°

## Installation

- Cut out  $\varnothing$  155 mm hole for LDACH42TNS01
- Loosen the screw, push the fire dome into the ceiling
- Tighten the screw
- Attach the spring to the spring mount
- Push the speaker into the fire dome