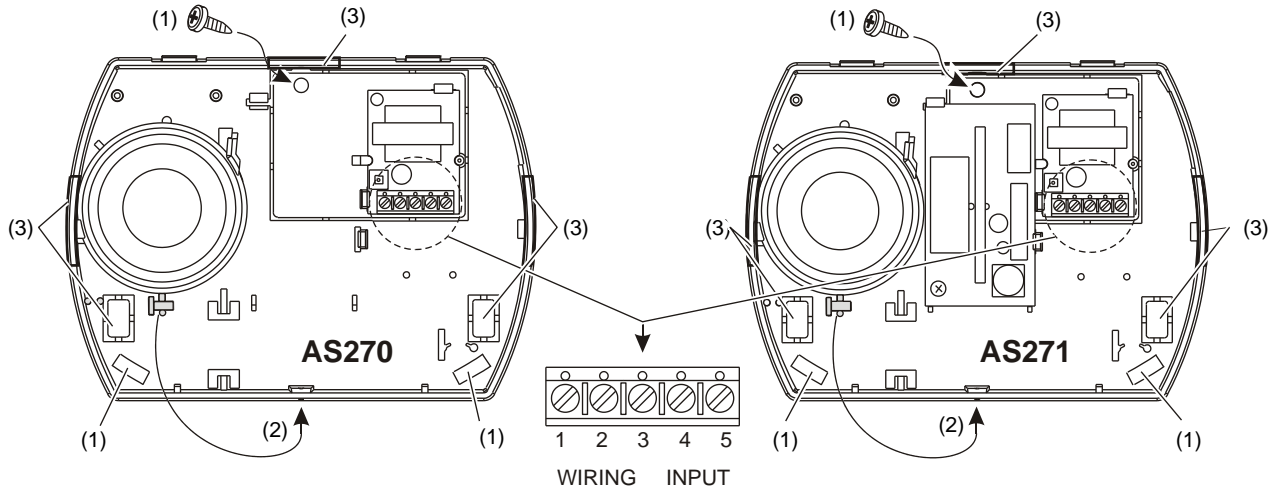


AS270/AS271 Indoor Siren Installation Sheet

EN



EN: Installation Sheet

Description

AS270 is a one-tone internal siren, ideal for use as an internal alarm sounder for residential and industrial alarm applications.

AS271 is a one-tone siren with a beacon, ideal for use as an internal alarm sounder for residential and industrial alarm applications.

Caution: Only use external current limited power supply. We recommend 5 A supply.

Figure legend

Item	Description
(1)	3 mounting screws
(2)	Siren cover closing screw
(3)	5 cable input options

Connection

Terminal	Description	Terminal	Description
1, 2.	Tamper	4.	0 V speaker
3.	+12 V $\overline{\text{=}}$	5.	0 V beacon (AS271 only)

WARNING: The beacon uses high voltage. To avoid personal injury or death from electrocution, do not touch bare wires and beacon electronics before the energy discharges.

Specifications

Supply	9 to 14.2 V $\overline{\text{=}}$
Current consumption	130 mA at 12 V $\overline{\text{=}}$ (typical)
Sound output	104 dB at 1 m (typical)
Frequency	2500 to 3000 Hz (typical)
Operating temperature	-25 to +55°C EN 50131: -10 to +55°C
Relative humidity	EN 50131: 93% max.
Dimensions	155 × 114 × 44 mm

Beacon (AS271 only)

Supply	13 to 14.2 V $\overline{\text{=}}$
Current consumption	110 mA
Light output	100 000 peak lumens
Flash frequency	1 Hz
Spike suppression network	Standard fitted
IP rating (with sealed cable entry)	IP315

Regulatory information

Manufacturer	PLACED ON THE MARKET BY: UTC Fire & Security Americas Corporation, Inc. 3211 Progress Drive, Lincolnton, NC, 28092, USA AUTHORIZED EU REPRESENTATIVE: UTC Fire & Security B.V. Kelvinstraat 7, 6003 DH Weert, Netherlands
--------------	--

Product warnings
and disclaimers



THESE PRODUCTS ARE INTENDED FOR SALE TO AND INSTALLATION BY QUALIFIED PROFESSIONALS. UTC FIRE & SECURITY CANNOT PROVIDE ANY ASSURANCE THAT ANY PERSON OR ENTITY BUYING ITS PRODUCTS, INCLUDING ANY "AUTHORIZED DEALER" OR "AUTHORIZED RESELLER", IS PROPERLY TRAINED OR EXPERIENCED TO CORRECTLY INSTALL FIRE AND SECURITY RELATED PRODUCTS.

For more information on warranty disclaimers and product safety information, please check <https://firesecurityproducts.com/policy/product-warning/> or scan the QR code.

Certification



EN 50131

EN 50131-4, Security Grade 2, Environmental class II (Pry-off tamper is not certified for an EN 50131 Security Grade 2 applications.)

Tested and certified by Applica Test & Certification.



2012/19/EU (WEEE directive): Products marked with this symbol cannot be disposed of as unsorted municipal waste in the European Union. For proper recycling, return this product to your local supplier upon the purchase of equivalent new equipment, or dispose of it at designated collection points. For more information see: www.utcssecurityproducts.eu/recycle/

Contact information

www.utcfireandsecurity.com or www.interlogix.com.

For customer support, see www.utcssecurityproducts.eu