

# DS-PD2-D15AME/D15AME1

## 15m Dual Technology Anti-Mask Detector

HIKVISION



EN50131-2-4:2008  
EN50131-1:2006+A1:2009  
Security Grade (SG) 3  
Environmental Class (EC) II

### Diagram references

**A** Anti-Masking: DS-PD2-D15AME uses the patented Anti-Masking technology to detect when both PIR and Microwave technologies are Masked. The detector is able to detect aluminium foil, spray and any object position on or in front of the detector with the purpose of obstructing the field of view of the PIR or MW sensors.

**A1** The Mask is adjustable between 0 to 1M.

**A2** If the Masking area is entered the Blue LED starts flashing to show that the area has been compromised. If the obstacle is removed after 30 seconds the detector will reset to normal. If the obstacle still remains after 1 minute, the MASK and ALARM relay will open and the Green and Orange LEDs will be permanently activated. To reset the detector, the obstacle must be removed and a walk test must be done.

**B** Blocking: This feature is to detect a partial obstruction of the PIR up to 15m when the panel is disarmed. When blocking is detected the alarm relay will open and the GREEN and ORANGE LEDs will be activated. To reset the blocking, the DS-PD2-D15AME must be walk tested so that the PIR and MW sensors are activated.

**B1** Blocking Enabled/Disabled: To enable the feature, switch 6 must be OFF and the RI input should be connected to an output on the control panel which gives 0V when DISARMED and removes 0V when ARMED.

**C** DS-PD2-D15AME is supplied with the following:

BRACKETW (Wall Bracket), BRACKETC (Ceiling Bracket) and TAMPER (Rear tamper)

**D** NOTE: When the 2 optional lenses are used the Microwave range remains at 15m.

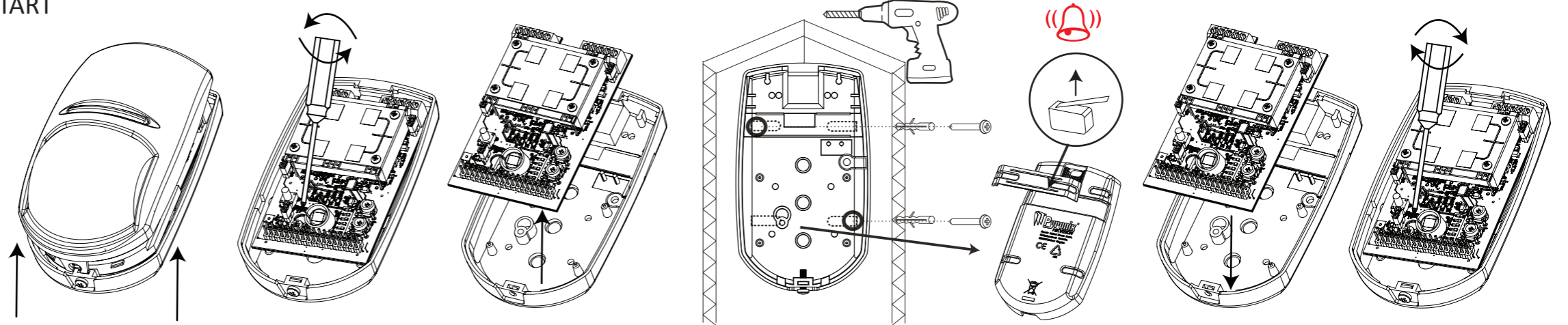
### Technical Specification

Coverage	85° 60 zones and 7planes, default
Maximum Range	15m/18m/30m(included)
Optimal Installation Height	1.8-2.4m
Creep-Zone Protection	Yes
<b>Key Features</b>	
Adjustable Anti-Masking (Anti-Spray)	Yes
Anti Blocking Technology	Yes
Blue Wave Technology	Yes
Automatic Sensitivity	Yes
Digital Temperature Compensation	Yes
Separate Indication: Microwave, PIR and Alarm	LED Colors: Orange (Microwave), Blue (Alarm), Green (PIR)
3 Microwave Frequencies to Avoid Interference	Yes
DEOL Resistors on Board	Yes
Tamper Protection Included	Front, rear, and bracket tamper signal input
<b>Wired</b>	
Power Supply	9-16VDC (12VDC nominal)
Current Consumption at Rest	23mA
Current Consumption in Alarm	30mA
Relay Type	Solid state
Output Relay	60VDC, 50mA protection
Tamper Terminal	12VDC max, 50mA max
<b>Electrical Specifications</b>	
Microwave Frequency	10.515, 10.525, 10.535 GHz
Alarm Response	2.5 seconds
Detection Speed	0.3-3m/s
Optics	Sealed
Geometric Lens Configuration	3D
<b>Other Details</b>	
Operating Temperature	-10°C to +40°C (certified)
Weight	125g
Dimensions(H x W x D)	117 x 69 x 50 mm
<b>Accessories</b>	
Wall/Ceiling Brackets Included	Yes
Long Range and Curtain Lenses Included	Yes
Bracket Back Tamper Kit Included	Yes

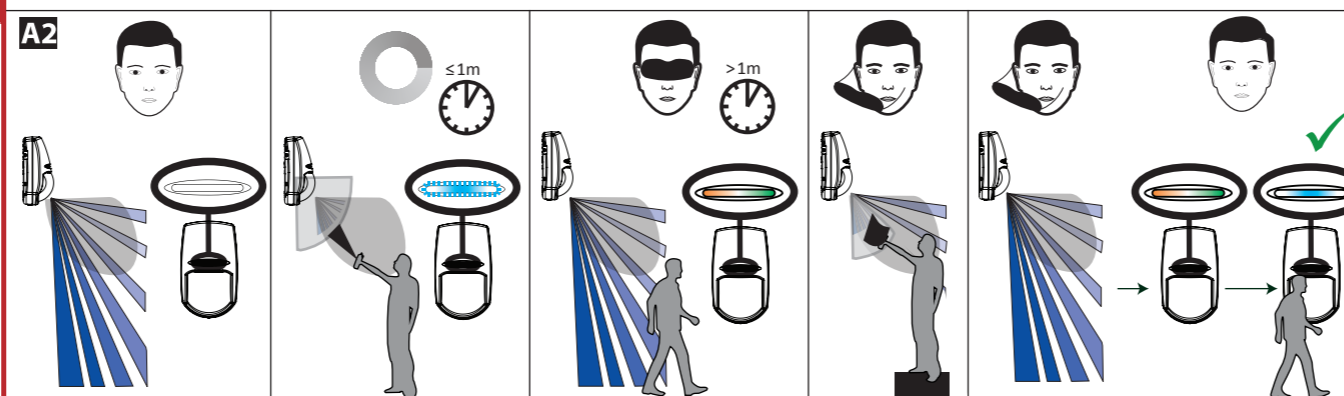
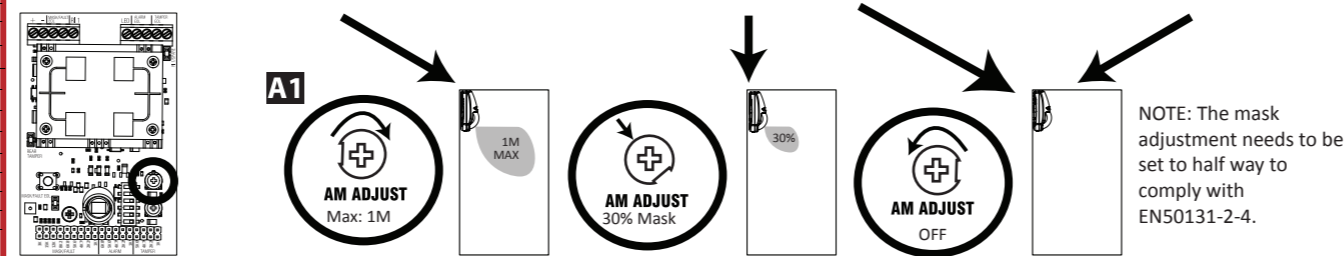
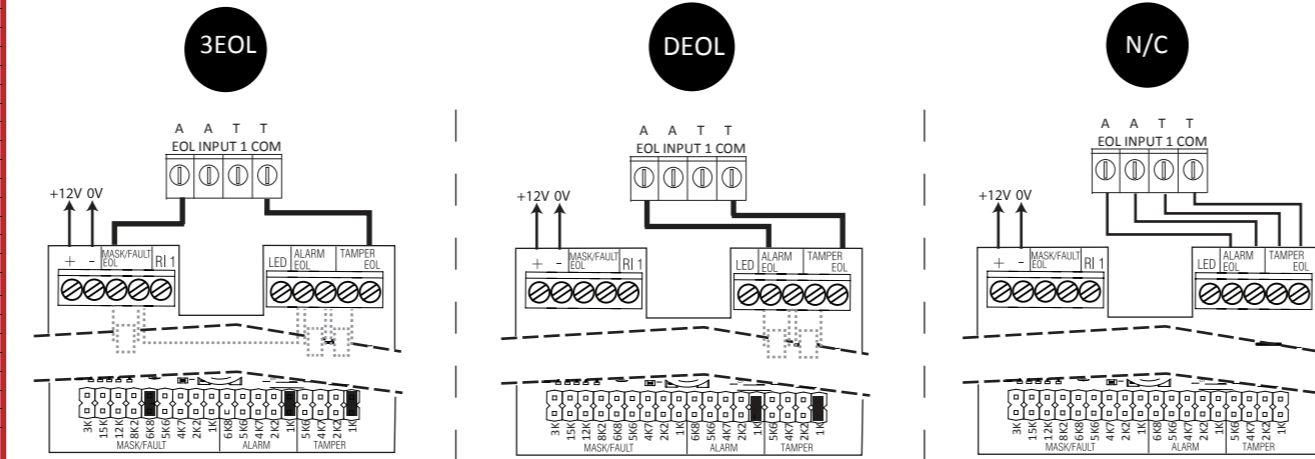
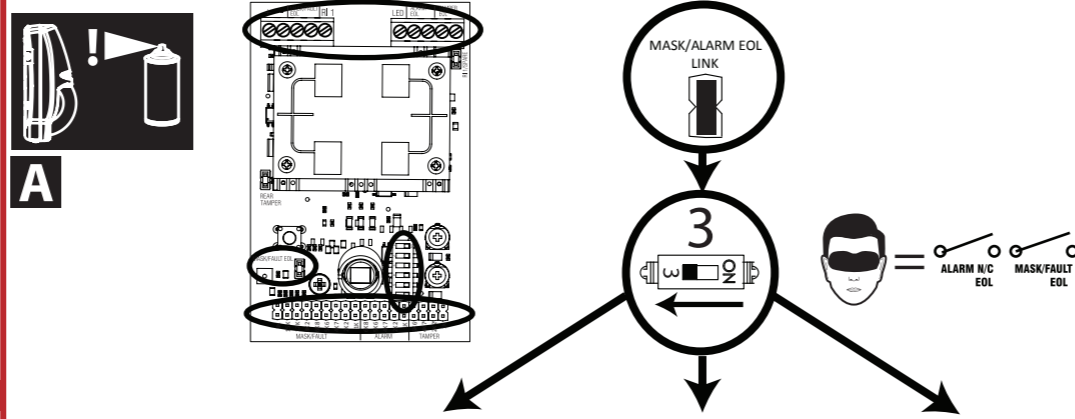
### Product Warning Information

COPYRIGHT ©2018 Hangzhou Hikvision Digital Technology Co., Ltd. ALL RIGHTS RESERVED.  
Any and all information, including, among others, wordings, pictures, graphs are the properties of Hangzhou Hikvision Digital Technology Co., Ltd. or its subsidiaries (hereinafter referred to be "Hikvision"). This user manual (hereinafter referred to be "the Manual") cannot be reproduced, changed, translated, or distributed, partially or wholly, by any means, without the prior written permission of Hikvision. Unless otherwise stipulated, Hikvision does not make any warranties, guarantees or representations, express or implied, regarding to the Manual.  
About this Manual  
This manual is applicable to detector.  
The Manual includes instructions for using and managing the product. Pictures, charts, images and all other information hereinafter are for description and explanation only. The information contained in the Manual is subject to change, without notice, due to firmware updates or other reasons. Please find the latest version in the company website (<http://overseas.hikvision.com/en/>).  
Please use this user manual under the guidance of professionals.  
Trademarks Acknowledgement  
HIKVISION and other Hikvision's trademarks and logos are the properties of Hikvision in various jurisdictions. Other trademarks and logos mentioned below are the properties of their respective owners.  
This product and - if applicable - the supplied accessories too are marked with "CE" and comply therefore with the applicable harmonized European standards listed under the RE Directive 2014/53/EU, the RoHS Directive 2011/65/EU.

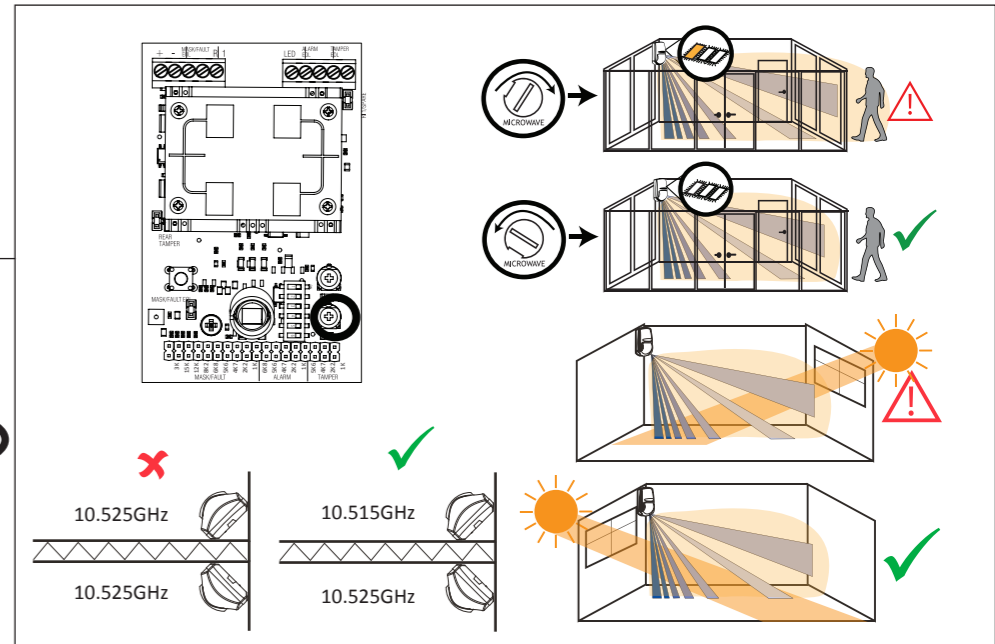
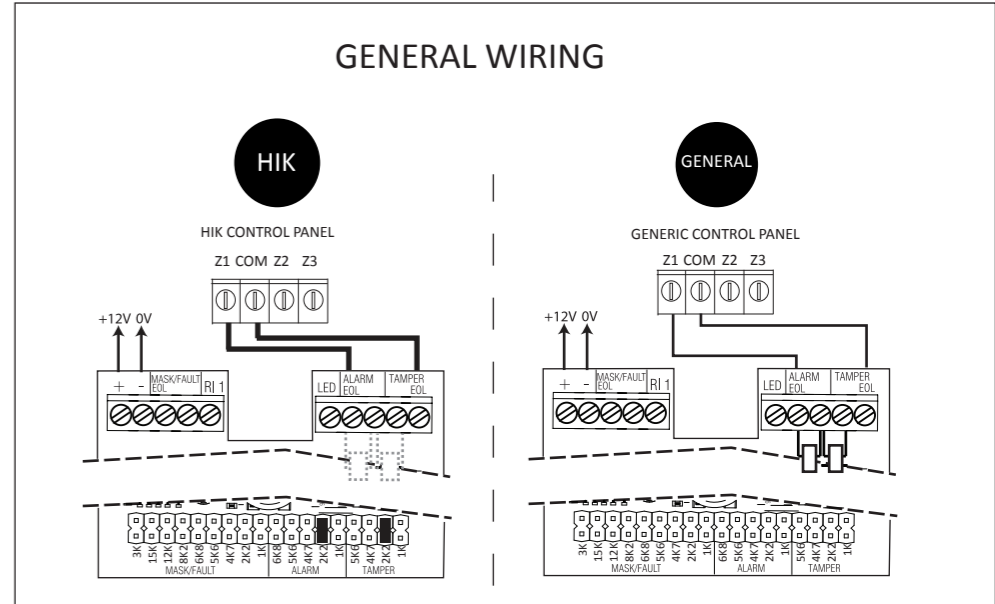
### START



NOTE: Do not partially or completely obscure the detector's field of view with large objects such as furniture.

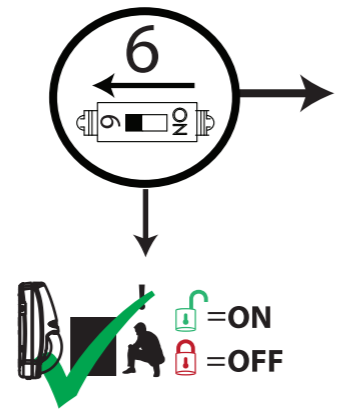
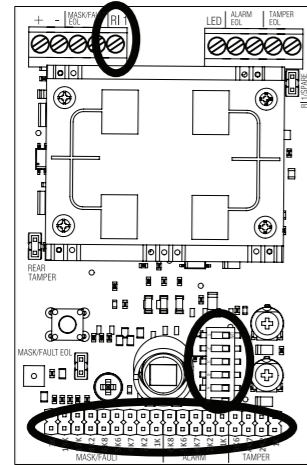


The Input voltage should meet both the SELV (Safety Extra Low Voltage) and the Limited Power Source according to the IEC60950-1 standard. Please refer to technical specifications for detailed information.

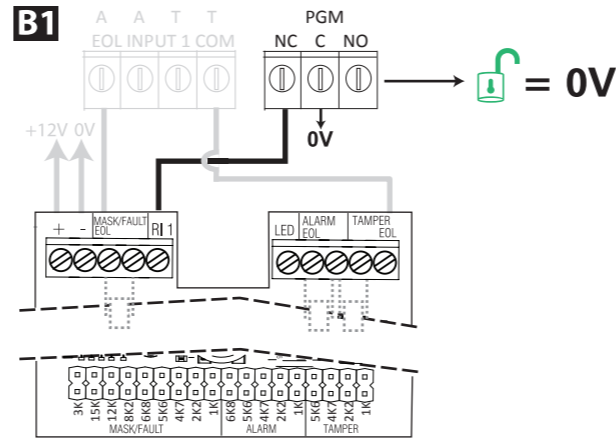




**B**

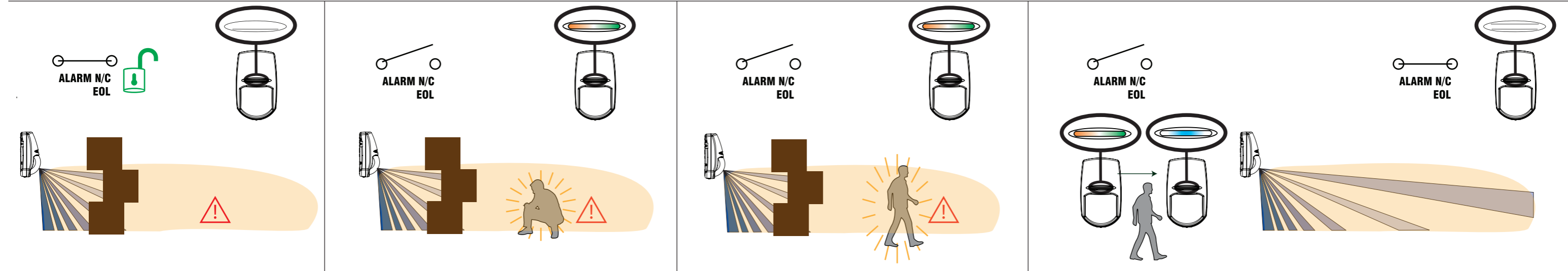
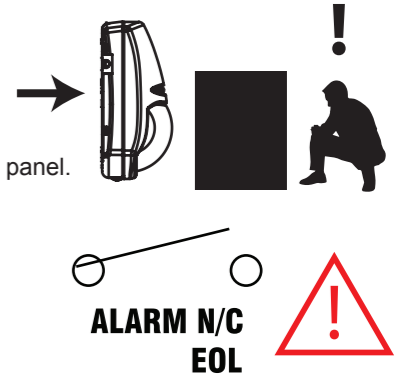


**B1**

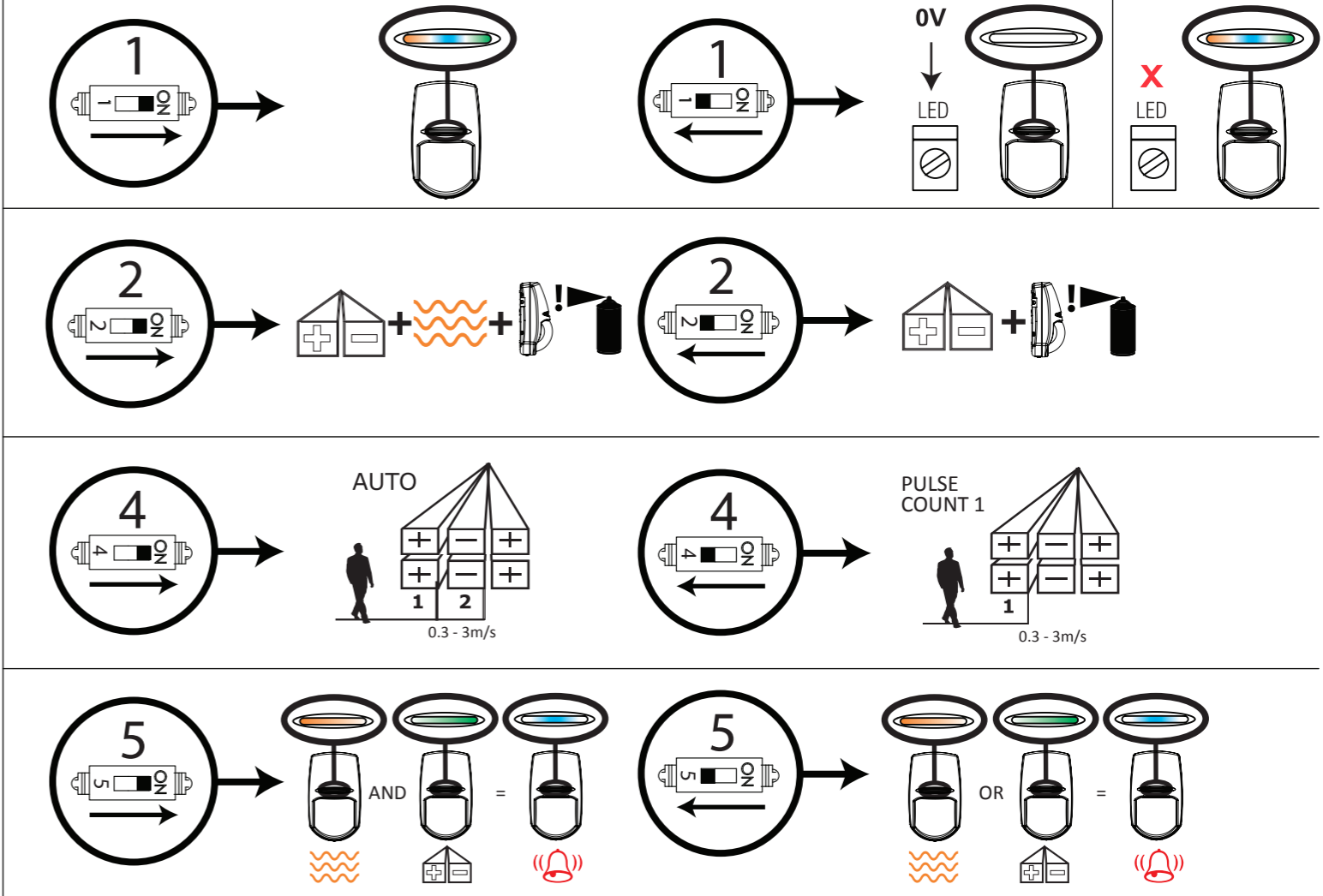
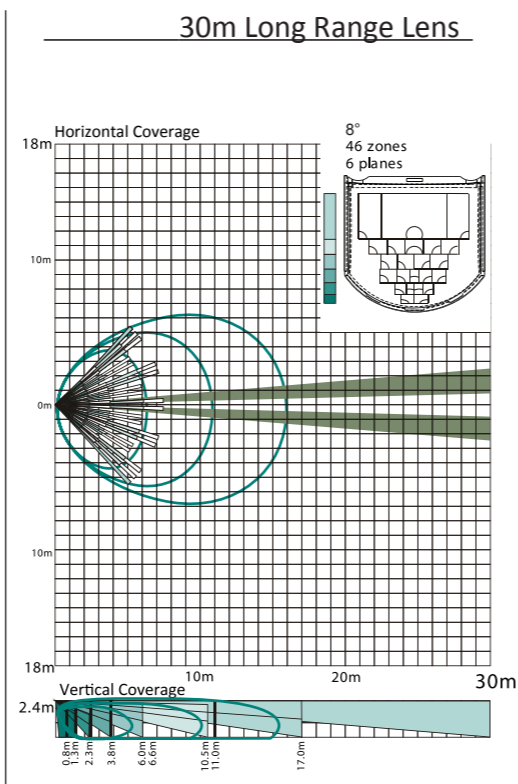
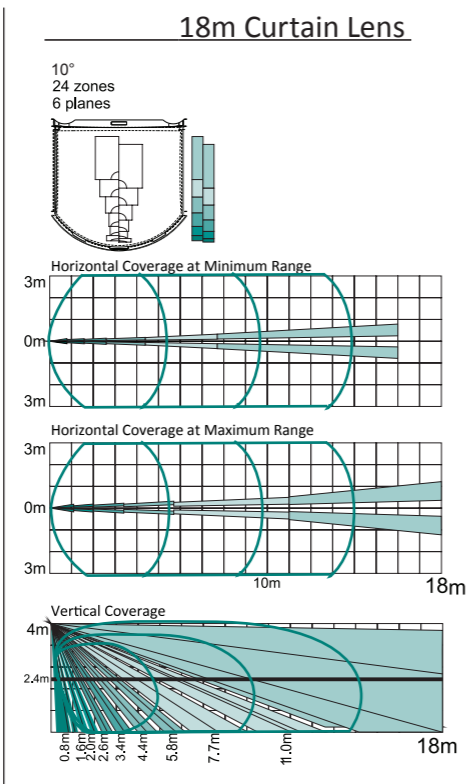
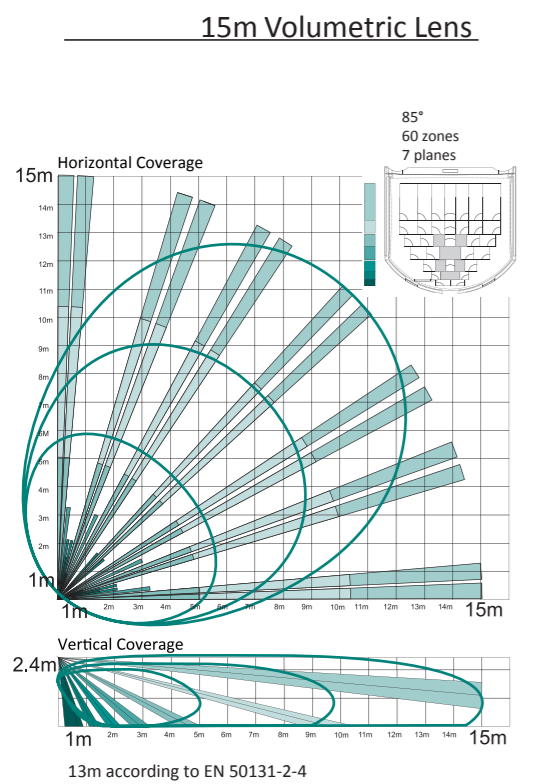
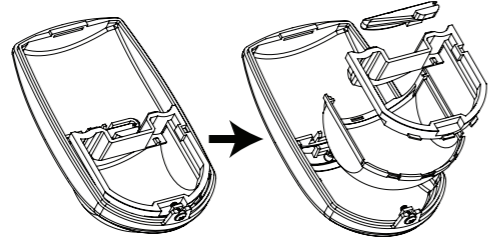


Control Panel Programming

Function performance depends on the model of the control panel.

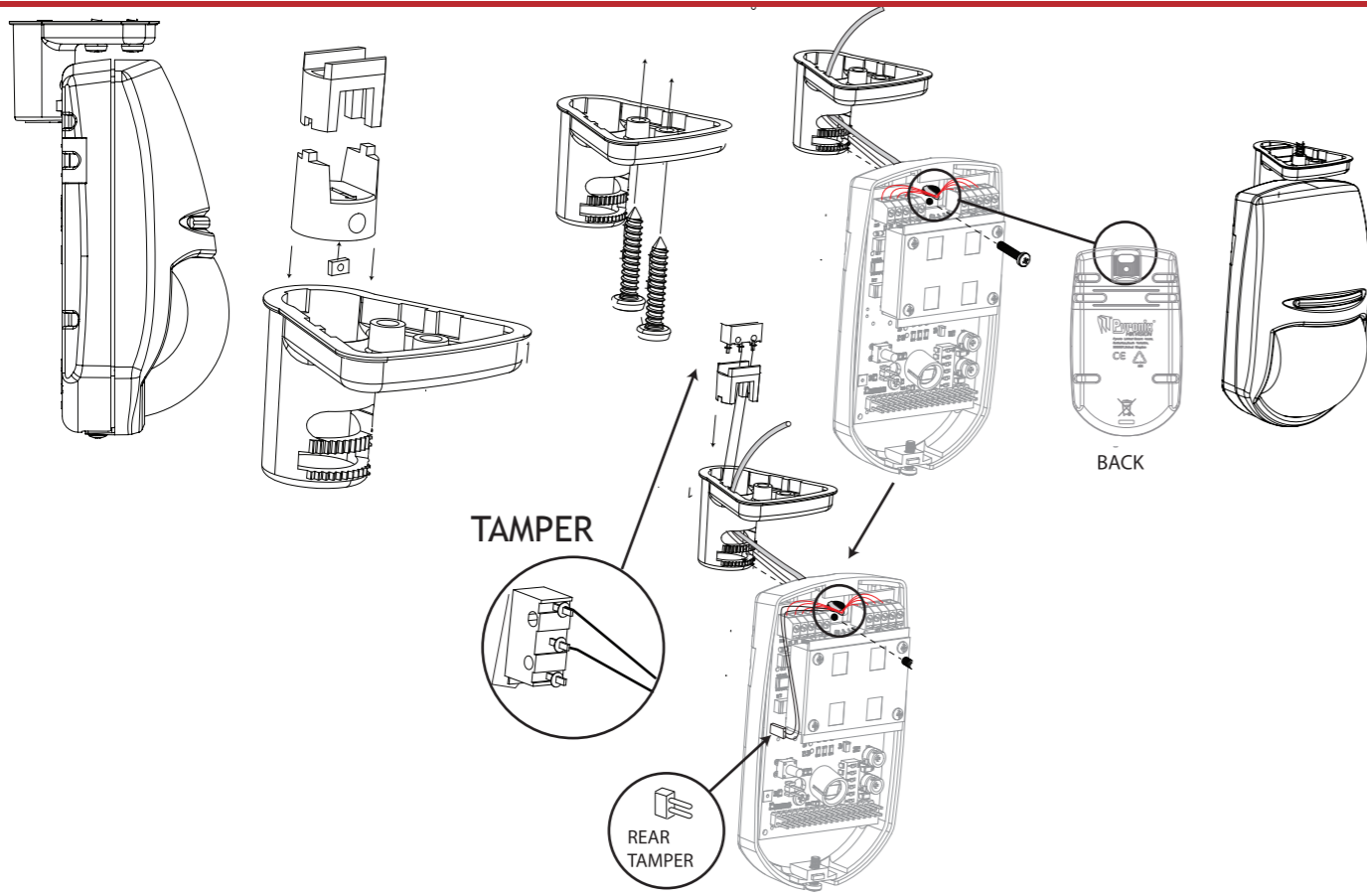


**E**

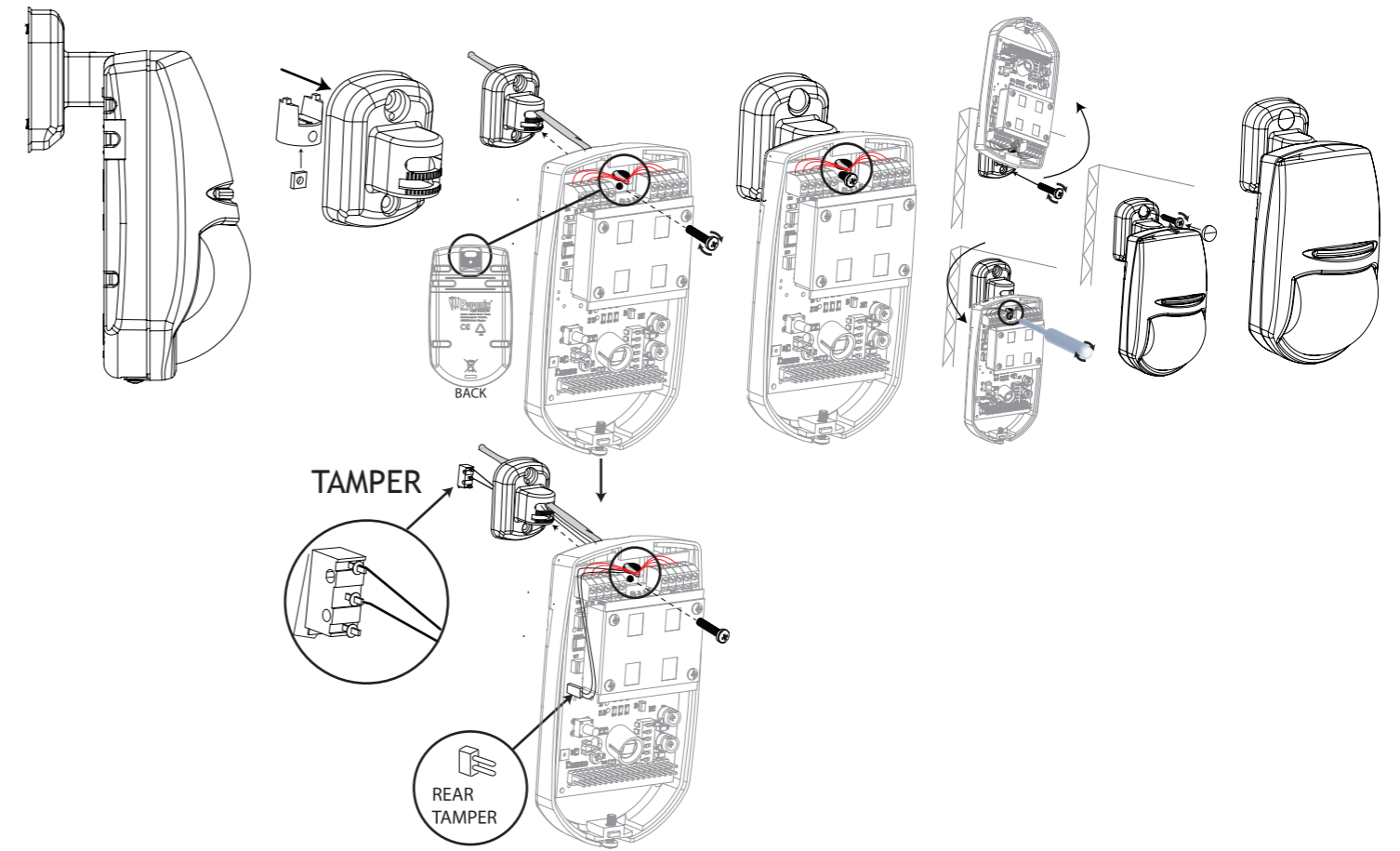




C



D



**FCC Information**

Please take attention that changes or modification not expressly approved by the party responsible for compliance could void the user's authority to operate the equipment.

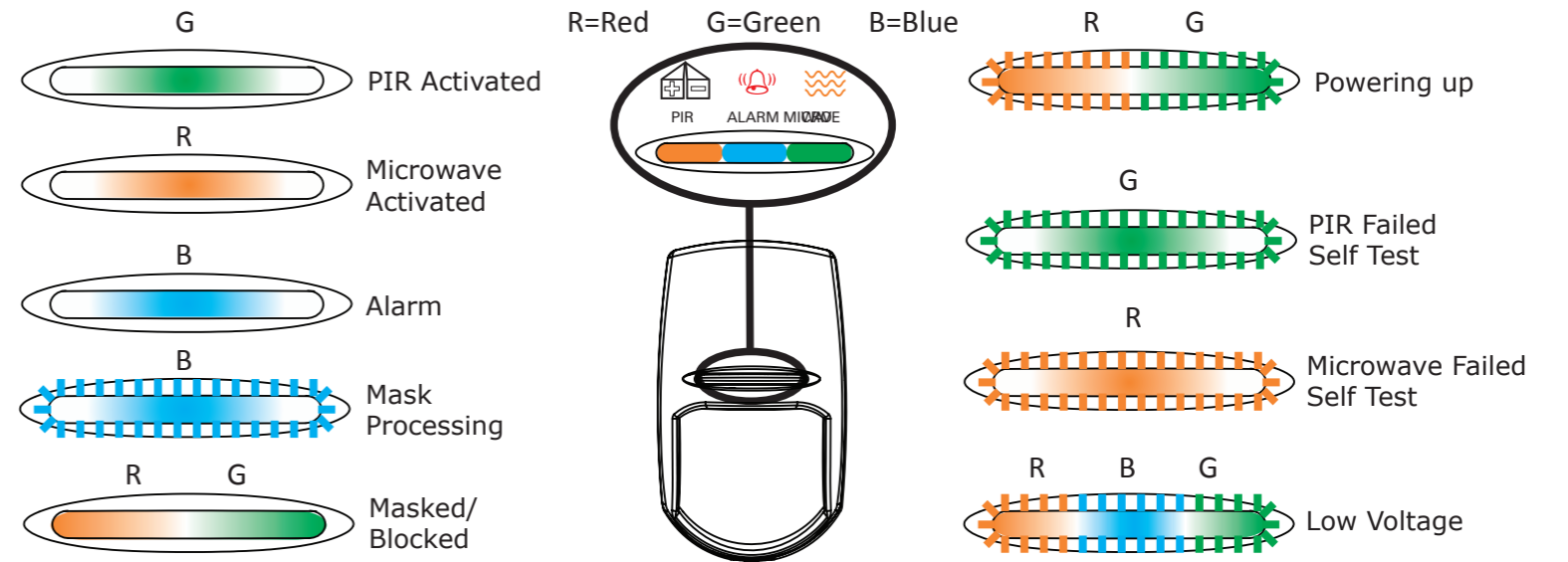
FCC compliance: This equipment has been tested and found to comply with the limits for a Class B digital device, pursuant to part 15 of the FCC Rules. These limits are designed to provide reasonable protection against harmful interference in a residential installation. This equipment generates, uses and can radiate radio frequency energy and, if not installed and used in accordance with the instructions, may cause harmful interference to radio communications. However, there is no guarantee that interference will not occur in a particular installation. If this equipment does cause harmful interference to radio or television reception, which can be determined by turning the equipment off and on, the user is encouraged to try to correct the interference by one or more of the following measures:

- Reorient or relocate the receiving antenna.
- Increase the separation between the equipment and receiver.
- Connect the equipment into an outlet on a circuit different from that to which the receiver is connected.
- Consult the dealer or an experienced radio/TV technician for help

**FCC Conditions**

This device complies with part 15 of the FCC Rules. Operation is subject to the following two conditions:

1. This device may not cause harmful interference.
2. This device must accept any interference received, including interference that may cause undesired operation.



For electrical products sold within the European Community. At the end of the electrical products life, it should not be disposed of with household waste. Please recycle where facilities exist. Check with your local Authority or retailer for recycling advice in your country.



This product operates in a European non-harmonised frequency band

