



## Ziton Radio Dual Detector with Sounder Base Installation Guide

### General

The Ziton Radio Dual Detector Radio Sounder Base is available under the following part numbers;

Part No	Variant Type	CE
ZR401-3PA	Ziton Radio Dual Optical/Heat Detector Radio Sounder Base	?
ZR401-3PAV	Ziton Radio Dual Optical/Heat Detector Radio Sounder Base & RED Visual Indicator	?

The above listed products are third party approved to: -

EN54-3:2001 – for fire detection and fire alarm systems for buildings – fire alarm devices – sounders  
 EN54-25:2008 – for fire detection and fire alarm systems for buildings – components using radio links  
 IP21C to EN 60529:1991

The address of the unit is set when programming the device to the system (see commissioning manual for details). The installation must conform to BS5839:Part 1 (or applicable local codes).  
*This Ziton Dual Detector with Sounder Base is suitable for indoor use only.*

### Installation of Ziton Dual Detector with Sounder Base

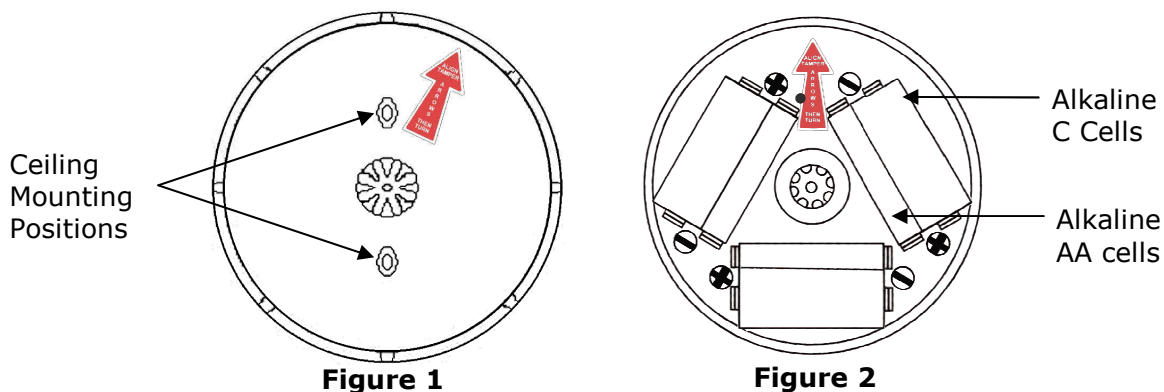
Ensure that all Ziton Dual Detector with Sounder Bases are sited in accordance with the survey and design details. Wherever practical, the red LED should face the main entrance to the room.

Remove the ceiling mounting plate by turning it counter clockwise. This dis-assembles the mounting plate from the detector sounder module. The ceiling mount will now be available for fixing to the ceiling.

Ensure that the detector sounder module is suitably stored to prevent the possibility of accidental damage.

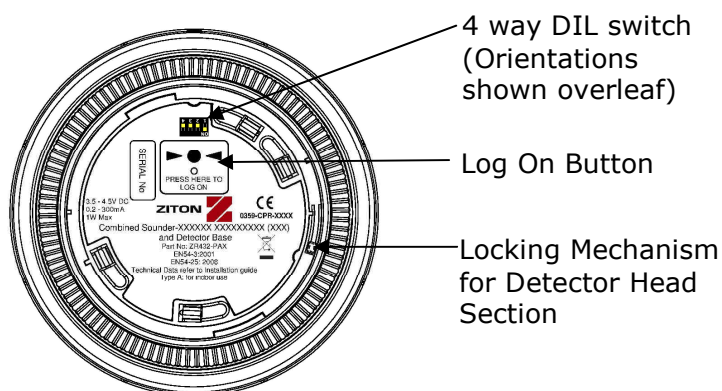
Fix the ceiling mounting plate to the ceiling using suitable fixings and fasteners. Both mounting holes must be used. (See Figure 1)

It is important that fastener heads are flush or sub-flush with the internal surface of the ceiling mount to avoid the risk of damaging the battery PCB.

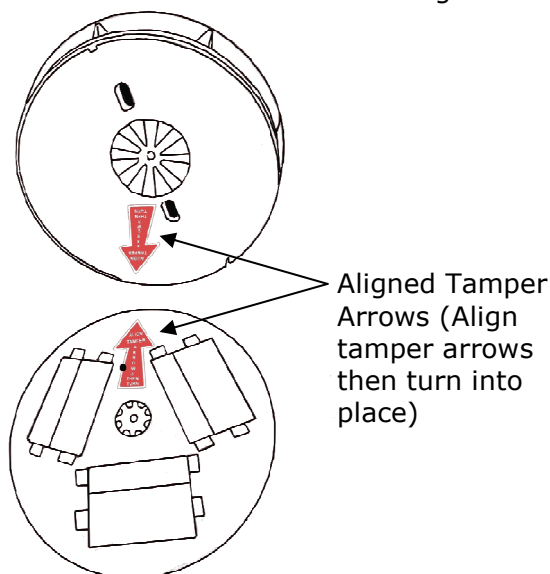


The unit is powered by 3 x Duracell AA MN1500 LR6 Alkaline Batteries and 3 x Duracell C MN1400 LR14 Alkaline Batteries. These are supplied fitted. Should batteries require replacement, please ensure they are inserted to the correct polarity as shown below in Figure 2. Batteries that have been removed must be disposed of in accordance with your country’s relevant Waste Electrical and Electronic Equipment (W.E.E.E) regulations.

The detector head section can be removed by turning it counter clockwise. This dis-assembles the detector head section from the Radio Sounder module section. The removal of the detector head section will expose the log on button and a 4 way dil switch. This can be seen below in figure 3.



**Figure 3**



**Figure 4**

**To ensure correct operation, ensure switch number 1 on the 4 way dil switch is in the 'On' position (thus powering the device).**

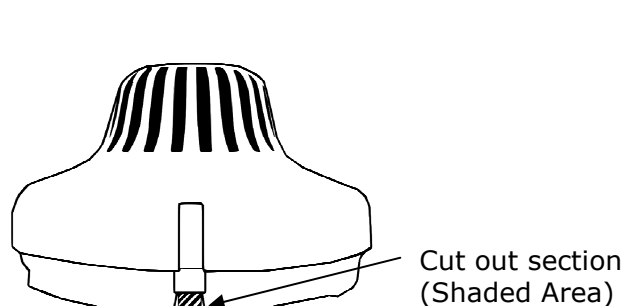
Please see commissioning manual for log on procedure details.

To reassemble the unit, place the sounder detector module into the fixed ceiling mount, ensuring that the tamper alignment arrows starting position lines up prior to rotation (shown in Figure 4) and turn clockwise to achieve a positive location.

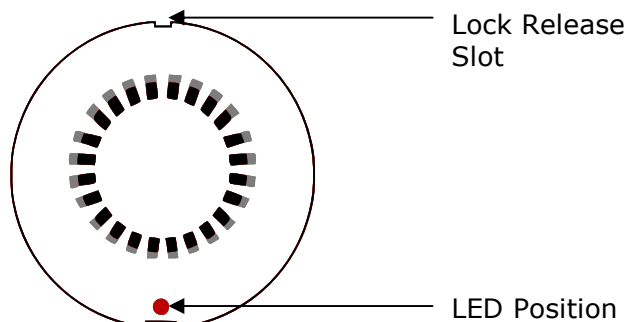
The detector head section must now be re fitted to the radio module section turning clockwise to achieve a positive location.

It is possible to lock the detector head into the radio base. Locking is made possible by removing the cut out section as shown in Figure 5.

To remove the detector head once locked, insert a flat blade screw driver into the lock release slot (shown in Figure 6) and push the screw driver down into the device to release the mechanism. The detector head should unlock and can now be removed by turning it anti-clockwise.



**Figure 5**



**Figure 6**

Additional locking of the sounder detector module into the fixed ceiling mount can be achieved by fitting an anti tamper screw. A 5/16 Phillips Pan Head Screw will be supplied inside each units packaging. To fit the anti tamper screw, the tamper knockout will require removal. The location of the tamper knockout is shown in Figure 7.

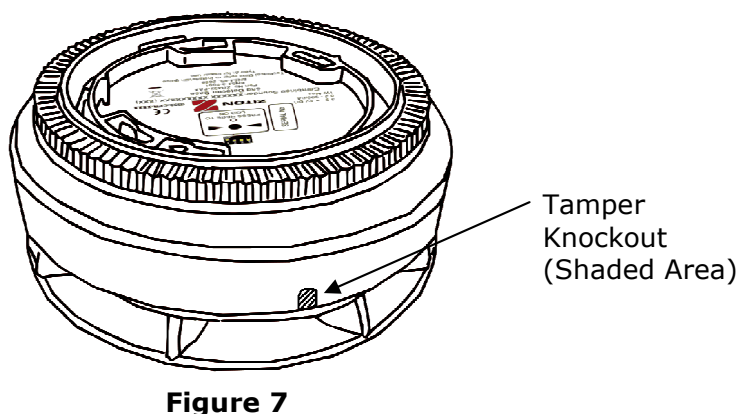


Figure 7

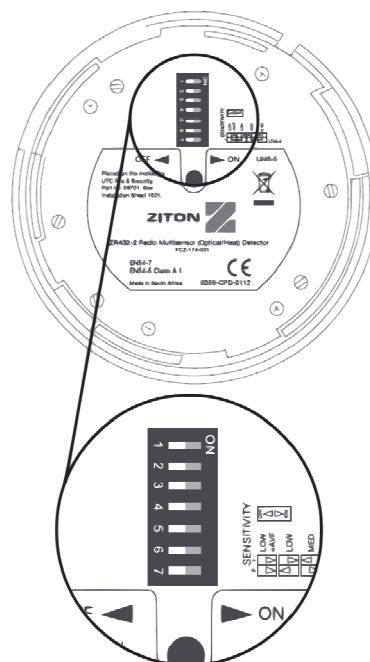


Figure 8

The Smoke or Heat detection Sensitivity can be set via the detectors dil switches on the detector head section shown in Figure 8. Please see ZR432 detector installation sheet for settings.

The tone pattern of the sounder is selected using dil switches 3 & 4 on the radio module section. Refer to the table below for details of the available tones and the switch settings required to select them. As default the units are supplied with switch 3 and 4 off, which selects 970Hz, 0.5s/630Hz, 0.5s (BS 5839-1:2002).

**Tone Table:**

SWITCH SETTING 3 ORIENTATION	SWITCH SETTING 4 ORIENTATION	1ST STAGE TONE	TONE TYPE	TONE DESCRIPTION /APPLICATION	2ND STAGE TONE	TONE TYPE	TONE DESCRIPTION /APPLICATION	dB @ 1m	
								Low Vol	High Vol
ON	OFF	1	————	970Hz	18	————	2400Hz	74	87
OFF	ON	2	⏏⏏⏏⏏	800Hz/970Hz @ 2Hz	1	————	970Hz	74	87
ON	ON	3	⏏⏏⏏⏏	800Hz - 970Hz @ 1Hz	1	————	970Hz	74	87
OFF	OFF	5	⏏⏏⏏⏏	970Hz, 0.5s/630Hz, 0.5s	4	- - - -	970Hz 1s OFF/1s ON	74	87

The dB levels shown are subject to a tolerance of +/- 1dB.

The sound output of the unit is adjusted using dipswitch 2 on the radio module section.

**4 Way DIL switch Orientations:**

Switch 1	Power – On (on position) / Off (off position)
Switch 2	Sounder Volume – High (on position) / Low (off position)
Switch 3	Sounder Tone (See Tone Table)
Switch 4	Sounder Tone (See Tone Table)