

Figure 1: SPB-2 Sounder Plug-in Base



Compatibility	All ZP755 Sounders
Mounting	Conduit box or surface wiring plate
Wiring	2 core loop or spur
ZP Line Voltage:	16-22 Volts
Base Current:	Nil
Remote LED Terminals:	Yes

Environmental:

Application	Indoor use
EN60529 Rating	IP00
Ambient Temp	-20°C to +80°C
Humidity	20%-95% RH

Construction:

Material	Polycarbonate
Dimensions:	
Diameter	113.25 mm
Height	14.10 mm
Colour	Red or White
Weight	60g

Product Description

SPB-2 Sounder Plug-in Base mounting base as shown in Figure 1, allows any ZP755 sounder to be removed or replaced without disconnecting loop wiring from sounder terminals. Sounders plug into the base unit with a simple twist and lock action, allowing quick and easy removal for cleaning and servicing, or reselection of device type should the usage of the protected area change.

Forming an integral part of the overall sounder assembly, SPB-2 Sounder Plug-in Bases are provided with slots for screw fixing to either surface wiring plates, or conduit boxes with screw fixing centres between 50 mm and 90 mm.

SPB-2 Sounder Plug-in Bases feature robust wiring terminals with captive clamping washers to ensure secure wiring termination. The bases are of shallow design with ample space to accommodate cables of all types. Terminals are provided inside the moulding for loop connections and the termination of cable screening. Provision is also made for the connection of a remote LED when required.

Specifications

Description	SPB-2 Sounder Plug-in Base
Model Number	SPB-2R (Red) SPB-2W (White)
Part Number	180801 (Red) 180901 (White)

Installation Instructions

Mounting the Plug-in Base

Two screw holes for screws $\phi 5\text{mm}$ max., with slots shouldered for screw head $\phi 9\text{mm}$ max., are provided for mounting the plug-in base to the ceiling, wall or conduit box (see Figure 1).

Note: The screw head height should be 4mm max.

Mounting the Sounder

Align the sounder to the plug-in base, push up and rotate the sounder clockwise until it clicks into place. Push the sounder up once more to engage.

Note: The LED of the top unit (if applicable) will be in line with Clip 6 (see Figure 2 or Figure 3).

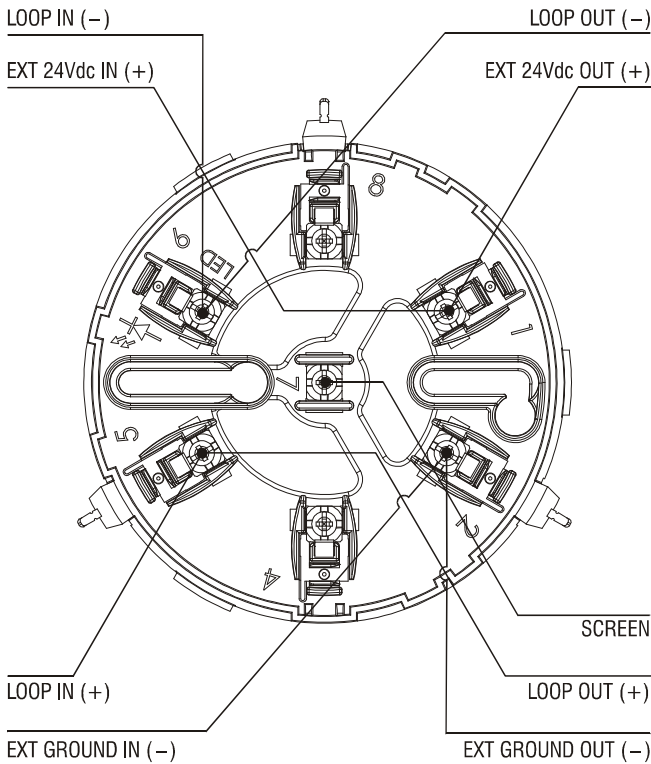
Refer to Installation Sheet, document number 501-1771ZE-1-00 for more detailed information.

Refer to the Wiring Guide, document number 503-032200-0-07 for detailed wiring information for the complete ZP Addressable Analogue Fire Detection Systems,

Connecting the Wiring

Figure 2 shows the loop wiring for the ZP755-2 Plug-in Base clips, and Table 1 provides the clip designations.

There is no wiring between the sounder and the plug-in base.

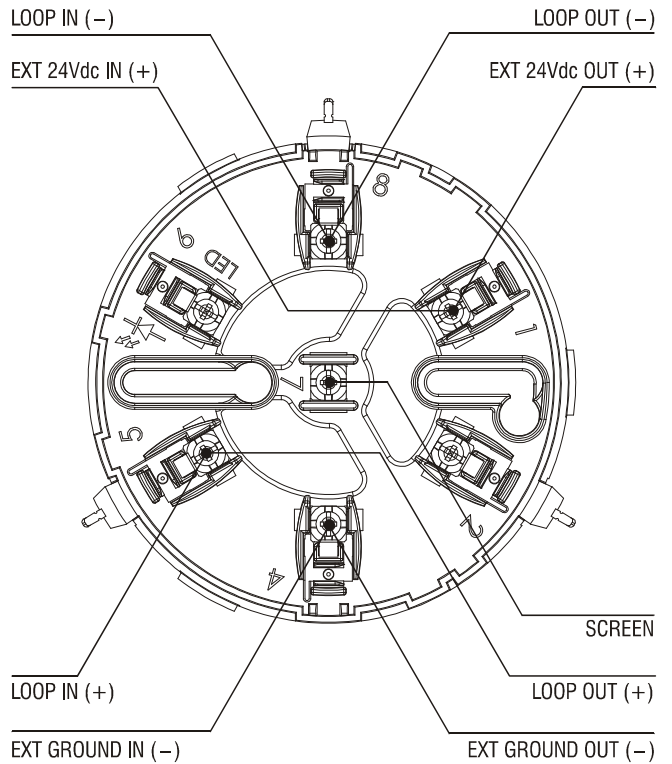


993496-01.cdr

Figure 2: Loop Wiring: ZP755-2 Plug-in Base

Figure 3 shows the loop wiring for the ZP755-3 Plug-in base clips, and Table 2 provides the clip designations.

There is no wiring between the sounder and the plug-in base.



993370-01.cdr

Figure 3: Loop Wiring: ZP755-3 Plug-in Base

Table 1: ZP755-2 Plug-in Base Clip Designations

Clip	Designation
1	+24V
2	0V/GND
5	P+
6	P- IN/OUT
7	Screen

Table 2: ZP755-3 Plug-in Base Clip Designations

Clip	Designation
1	+24V
4	0V/GND
5	P+
8	P- IN/OUT
7	Screen