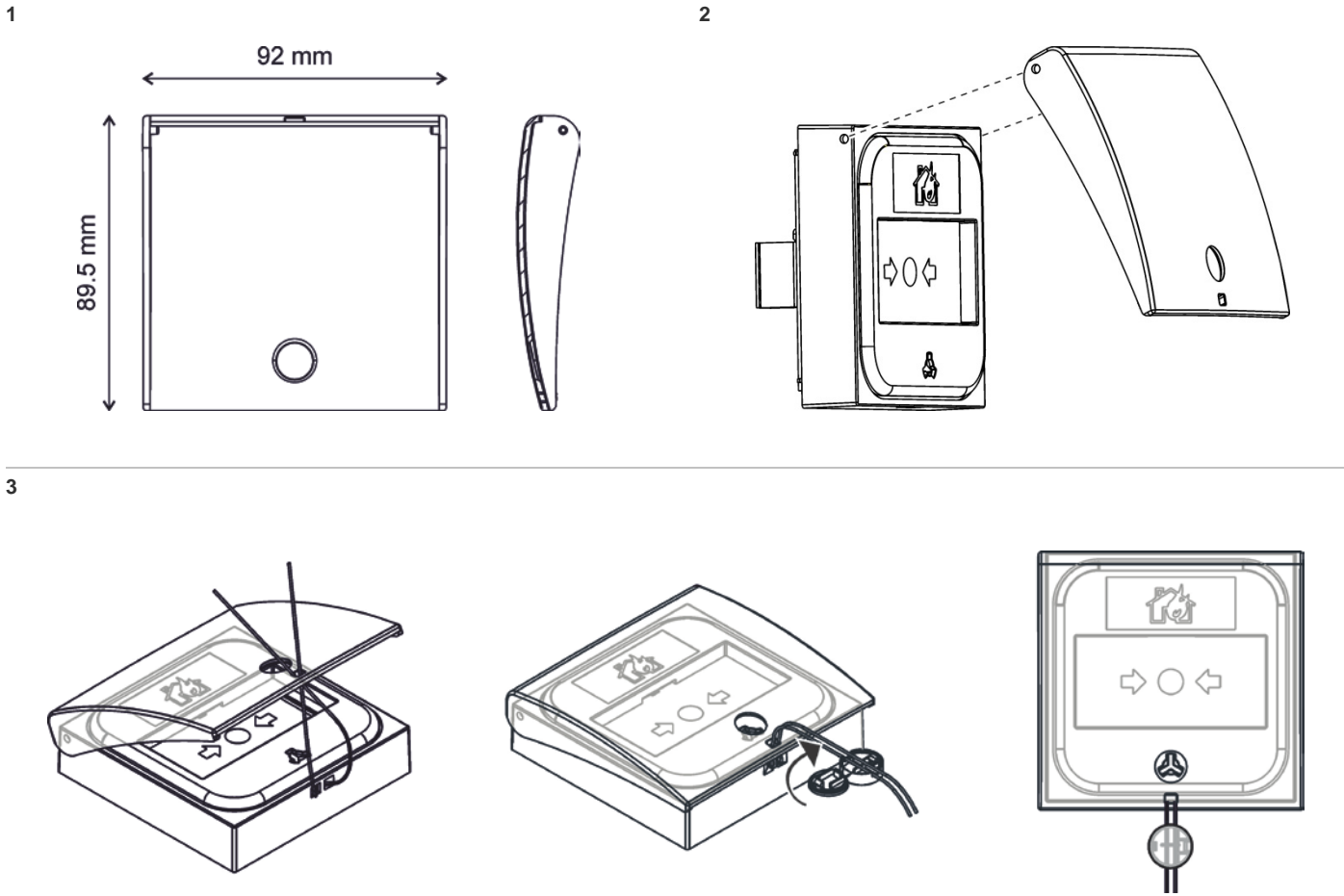


N-MC-FC Protective Transparent Hinge Cover Installation Sheet



Description

N-MC-FC Protective Transparent Hinge Cover for use with Aritech DM3000/E, Kilsen KAL755/E, and Ziton ZP885/7 Intelligent Addressable Manual Call Points.

Regulatory information

EU compliance



Manufacturer

United Technologies Safety Systems,
80 Changjiang East Road,
QETDZ, Qinhuangdao, Hebei, China
066004.

Authorized EU manufacturing
representative:
UTC Fire & Security B.V.
Kelvinstraat 7, 6003 DH Weert,
Netherlands.

Contact information and product documentation

For contact information or to download the latest product documentation, visit firesecurityproducts.com.

Product warnings and disclaimers

THESE PRODUCTS ARE INTENDED FOR SALE TO AND INSTALLATION BY QUALIFIED PROFESSIONALS. UTC FIRE & SECURITY CANNOT PROVIDE ANY ASSURANCE THAT ANY PERSON OR ENTITY BUYING ITS PRODUCTS, INCLUDING ANY "AUTHORIZED DEALER" OR "AUTHORIZED RESELLER", IS PROPERLY TRAINED OR EXPERIENCED TO CORRECTLY INSTALL FIRE AND SECURITY RELATED PRODUCTS.

For more information on warranty disclaimers and product safety information, please check <https://firesecurityproducts.com/policy/product-warning/> or scan the QR code:

