

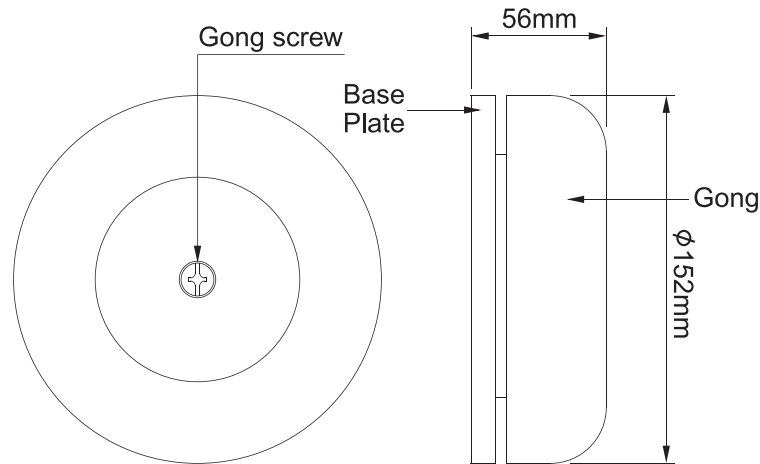
# AH-0218



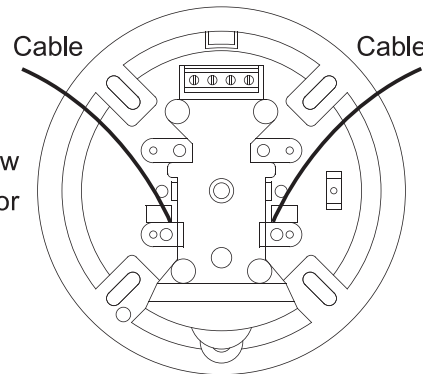
2831-CPR-F4558 506e/01



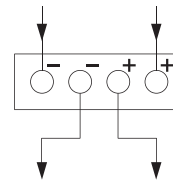
Issue Number: B



**1** Loosen the gong screw and remove gong for wiring.



## 2 Connections



## Specification

Diameter	Model	Voltage Range	Nominal Operation Current
6" (152mm)	AH-0218	19V ~27V	25mA

\* IP rating: IP21C

Angle	Sound Output dB(A)			
	Horizontal		Vertical	
	Min. 19V	Max. 27V	Min. 19V	Max. 27V
15°	93	97	90	95
45°	92	96	86	91
75°	80	86	80	86
105°	80	86	80	86
135°	90	96	88	94
165°	92	96	93	97

## 3 Refit gong

N.B.-Gong will only locate in correct position

## 4

N.B.-No adjustment of bell is required. For silent testing operate with gong removed.

## 5

N.B.-Ensure that the gong screw is fully tightened on re-fitting. Failure to do so will result in reduced sound output.