

B I O M E T R I C S   &   C O M P U T E R   V I S I O N

**ZKT***ECO*

ZKTeco's Turnstiles

# Mars Series & Mars Pro Series

---



# CONTENT

## 1. Introduction

- Mars Series:
  - B1000 Series, F1000 Series, S1000 Series
- Mars Pro Series:
  - F1000 Series, S1000 Series

## 2. Modularized Design

- Sandwich Structure
- Authentication Panel
- Reserved a Place for Facial Recognition, Temperature and Mask Detection Terminals
- Infrared Sensor Extension

## 3. Installation

- Lane Width
- Base Plate

## 4. Market Positioning Analysis

- Comparison with ZKTeco's Similar Products
- Comparison with Competitors' Similar Products

## 5. Applications

- Sports Halls
- Elevator Lobbies
- Offices

01

---

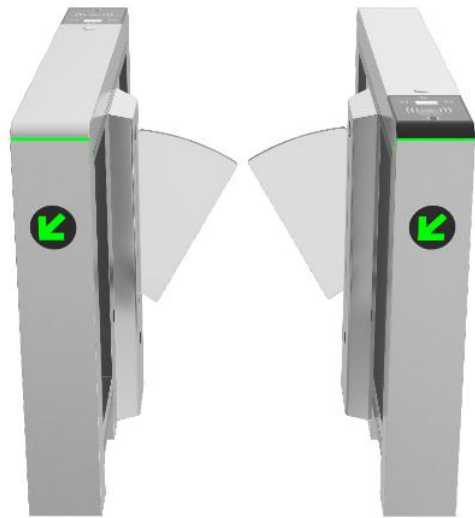
## Introduction

- Mars Series:
  - B1000 Series, F1000 Series, S1000 Series
- Mars Pro Series:
  - F1000 Series, S1000 Series

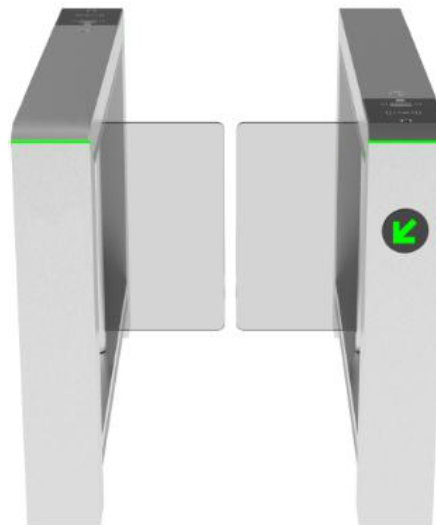
# Mars Series of Turnstiles

## Standard Version

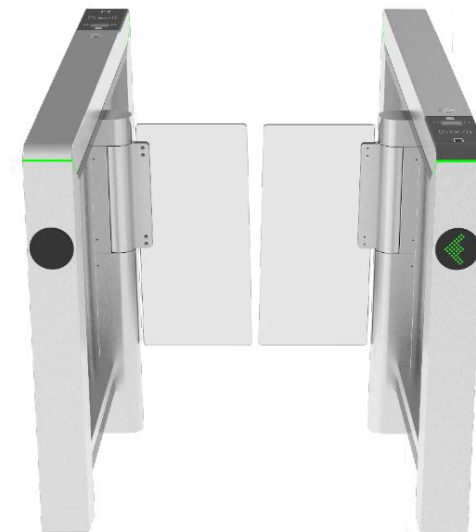
The standard version is made of stainless steel.



**Mars-F1000 Series**



**Mars-B1000 Series**



**Mars-S1000 Series**

# Mars Pro Series of Turnstiles

## Premium Version

The premium version is made of SPCC material with white color powder coating.



**Mars Pro-F1000 Series**



**Mars Pro-S1000 Series**

# Positioning

Model Name	Description	Positioning
Mars-F1000	Single-lane, with master and slave devices.	Low-end
Mars-F1200	Dual-lane, an additional barrier turnstile to form multiple lanes.	Low-end
Mars-B1000	Single-lane, with master and slave devices.	Low-end
Mars-B1200	Dual-lane, an additional barrier turnstile to form multiple lanes.	Low-end
Mars-S1000	Single-lane, with master and slave devices.	Low-end
Mars-S1200	Dual-lane, an additional barrier turnstile to form multiple lanes.	Low-end
Mars Pro-F1000	Single-lane, with master and slave devices.	High-end
Mars Pro-F1200	Dual-lane, an additional barrier turnstile to form multiple lanes.	High-end
Mars Pro-S1000	Single-lane, with master and slave devices.	High-end
Mars Pro-S1200	Dual-lane, an additional barrier turnstile to form multiple lanes.	High-end

## Naming Rules

Model Name	Description
Mars-F1 <u>000</u>	A single-lane flap barrier without readers and access controllers.
Mars-F1 <u>011</u>	A single-lane flap barrier with 2 RFID readers and 1 PGIC controller.
Mars-F1 <u>022</u>	A single-lane flap barrier with RFID and FP readers, plus 1 PGIC access controller.
Mars-F1 <u>200</u>	A dual-lane flap barrier without readers and access controllers.
Mars-F1 <u>211</u>	A dual-lane flap barrier with 2 RFID readers and 1 PGIC controller.
Mars-F1 <u>222</u>	A dual-lane flap barrier with RFID and FP readers, plus 1 PGIC access controller.

## 02

## Modularized Design

- Sandwich Structure
- Authentication Panel
- Reserved a Place for Facial Recognition, Temperature and Mask Detection Terminals
- Infrared Sensor Extension



# Modularized Design

## Highly Durable and Low Maintenance Costs

- Modularized structure design
- Exposed mounting holes for easy installation
- Mainly made of SPCC (option: SUS316 stainless steel)

## PGIC Controller

- Equipped with a PGIC controller
- Access control
- General features and parameters settings on the controller's menu

## LED Indicator

- Visual cues for correct walking direction
- Clear guidance with green and red illustration

## Switchable Reader Panel

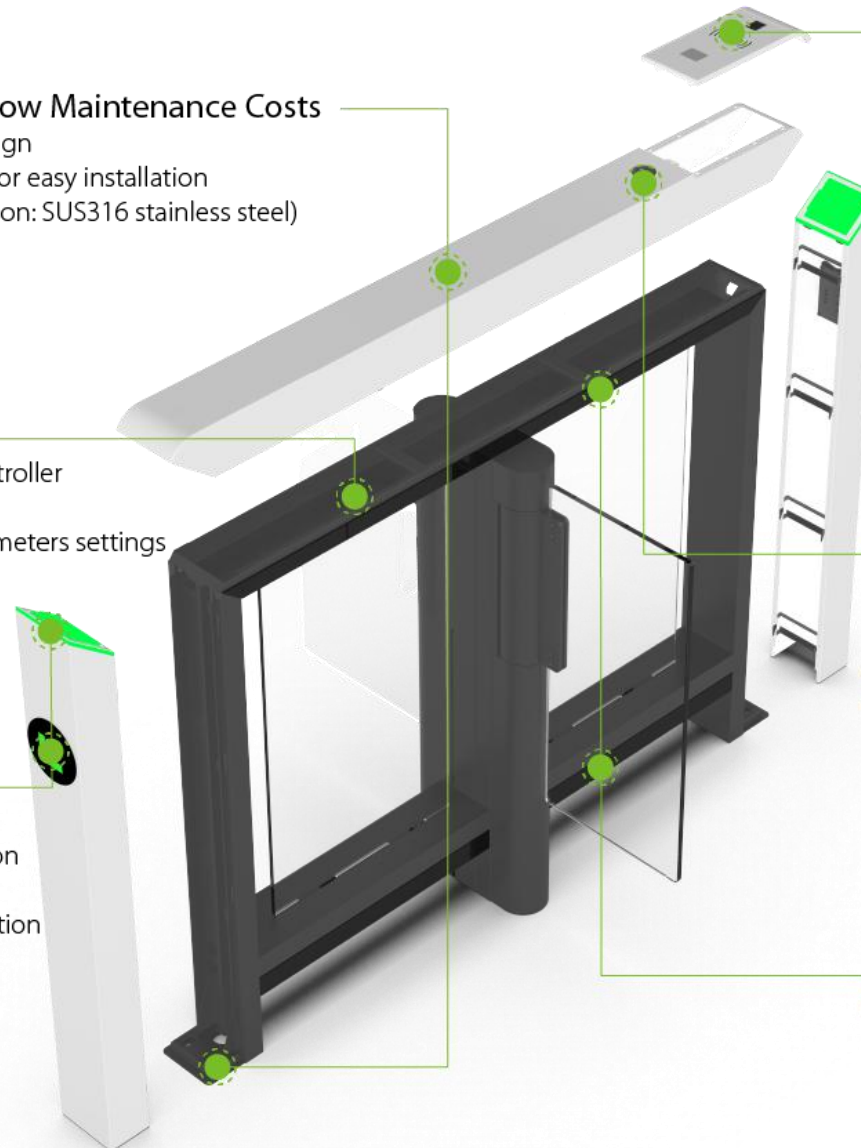
- Four panels available:
  - RFID only
  - RFID & Fingerprint
  - RFID & QR Code
  - RFID & Fingerprint & QR Code
- Reducing middlemen's inventory pressure
- Reducing installation time & expenses

## Installation Place for Facial Recognition A&C Terminals

- Diameter: 34mm
- Integration with Facial Recognition, Temperature and Mask Detection Terminals

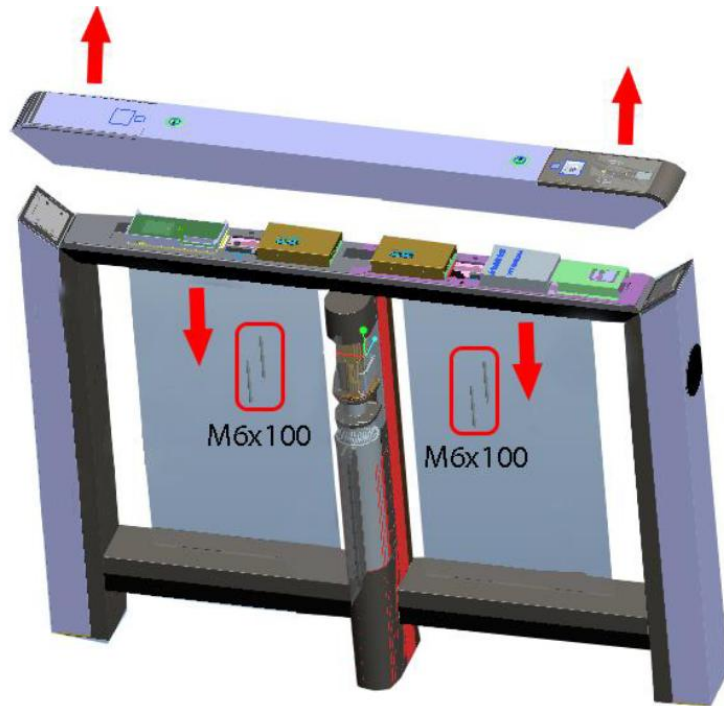
## Infrared Sensors

- 20 pairs of infrared sensors for stronger tailgating detection

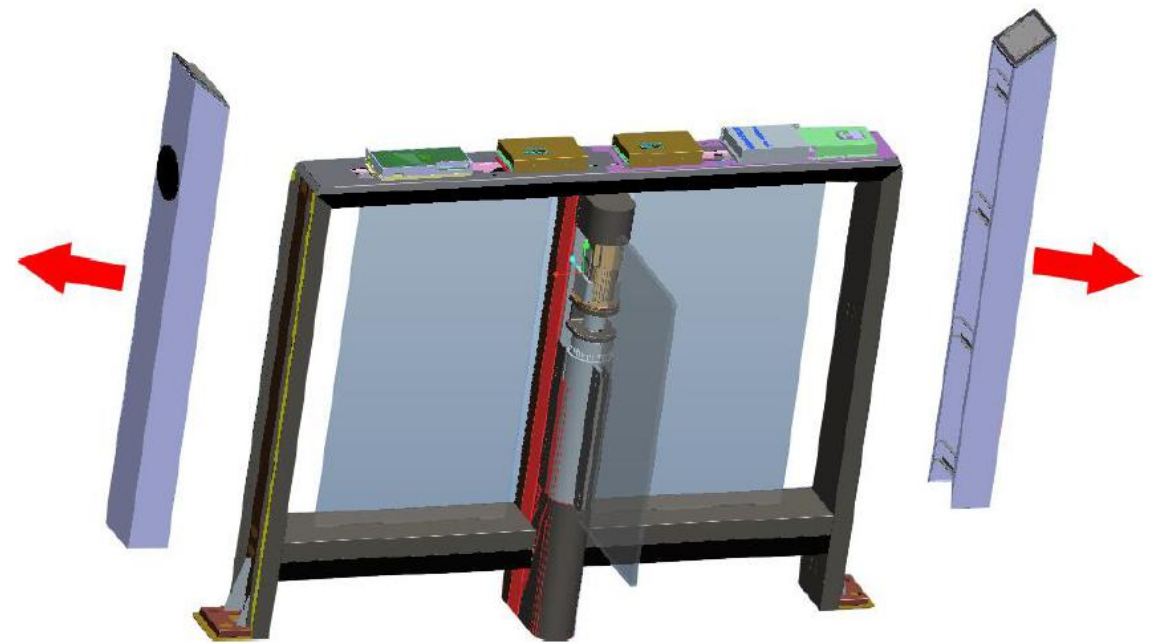


# Modularized Design Sandwich Structure

Note: The Mars Series consists of the main base (dark grey) and the outside cover (light purple).  
If you want to access the interior of the turnstile, please refer to the below.



Step 1

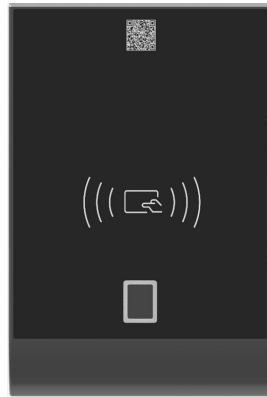


Step 2

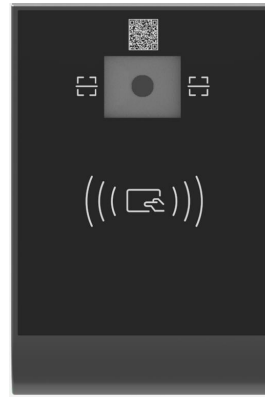
# Modularized Design Authentication Panels

## Biometric Technology

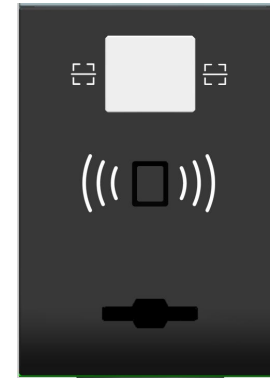
Up to 6 types of biometric authentication panels are available.



RFID only



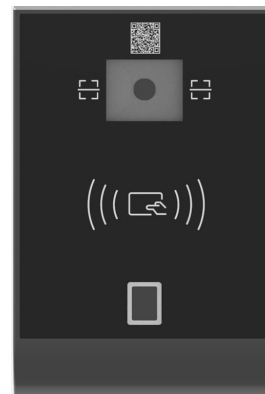
RFID & QR Code



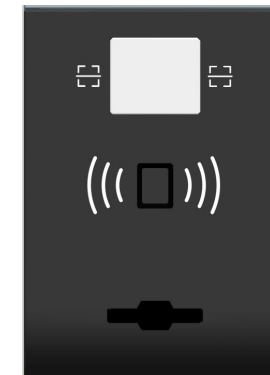
RFID & Card Slot



RFID & Fingerprint

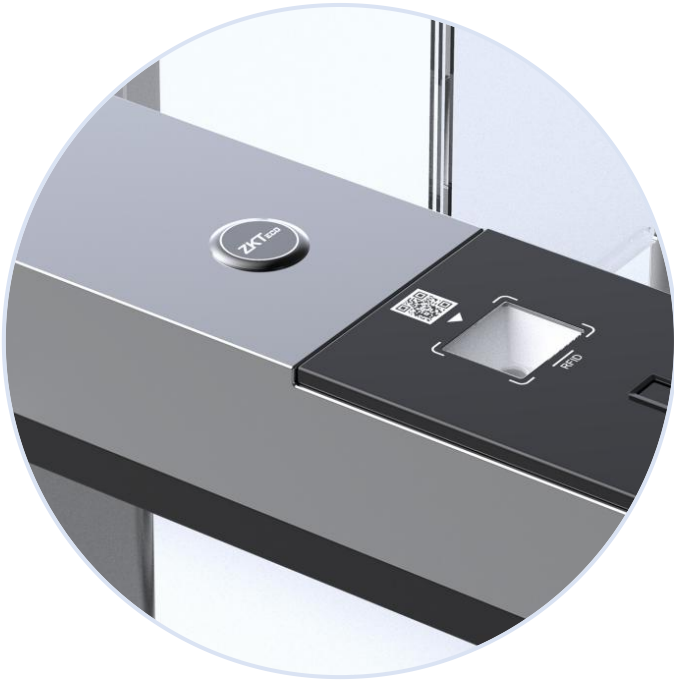


RFID & Fingerprint & QR Code



RFID & Card Slot & QR Code

# Modularized Design Reserved a Hole to Install a Comprehensive A&C Terminal



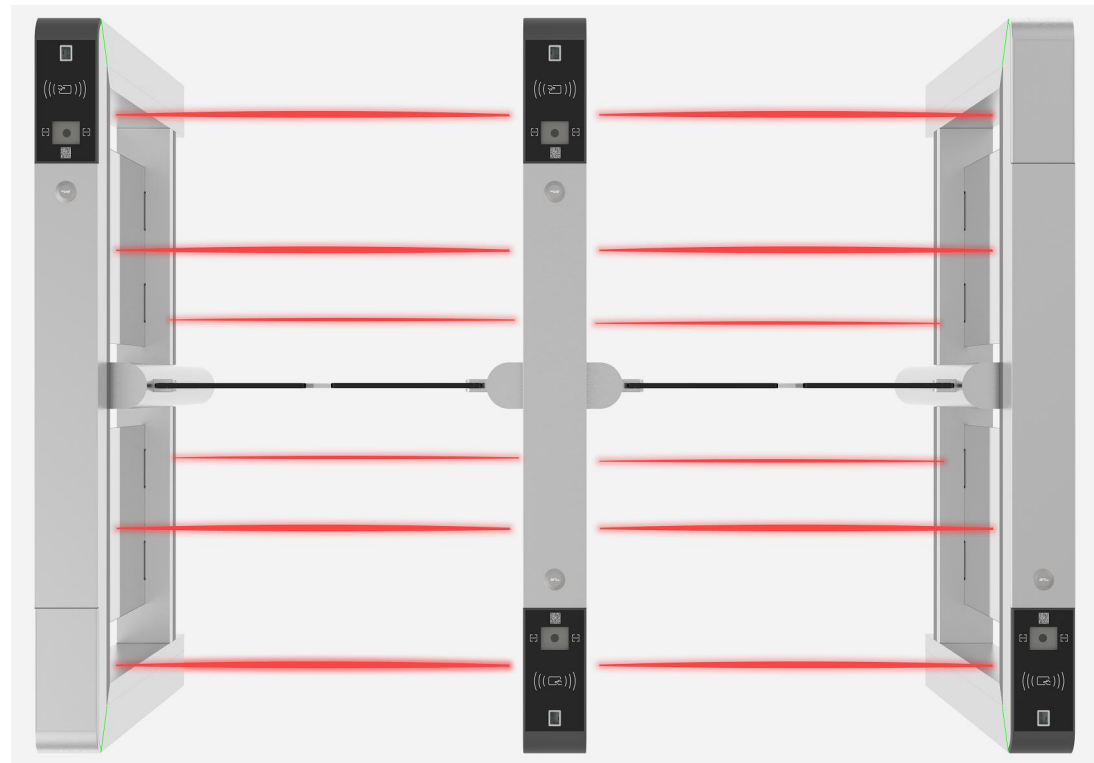
Reserved a hole with a diameter of 34mm and used a plastic cover to entirely cover this hole.



Clients could mount a facial recognition terminal with mask and temperature detection on the turnstile.

# Modularized Design Infrared Sensor Extension

The Series supports a maximum of 22 pairs of IR sensors, offering more accurate judgment and better anti-tailgating and anti-collision performance.



03

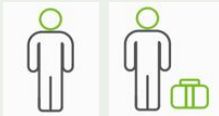

---

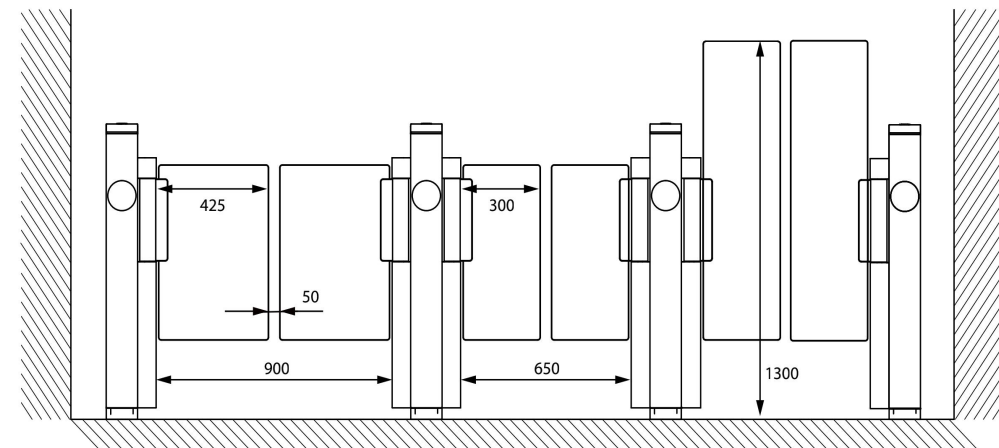
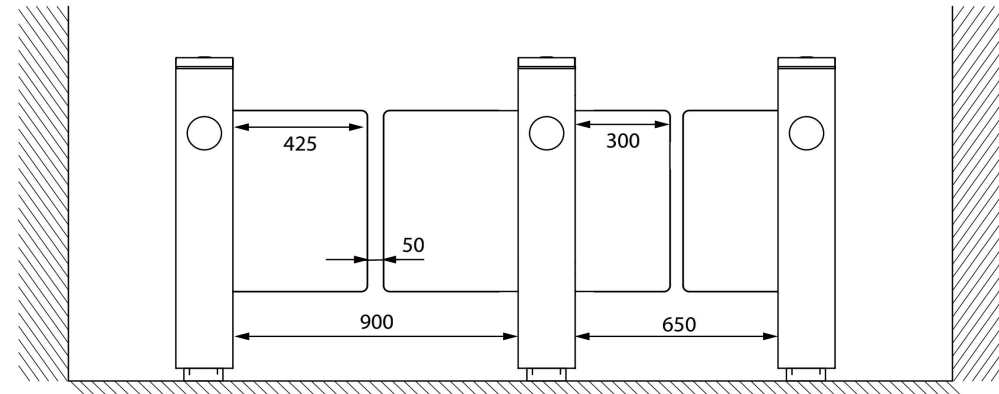
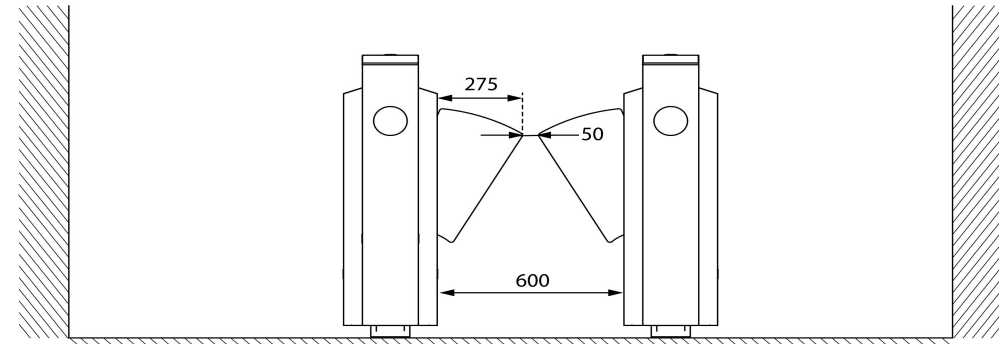
## Installation

- Lane Width
- Base Plate

# Installation Lane Width

Clients could choose the lane width as desired.

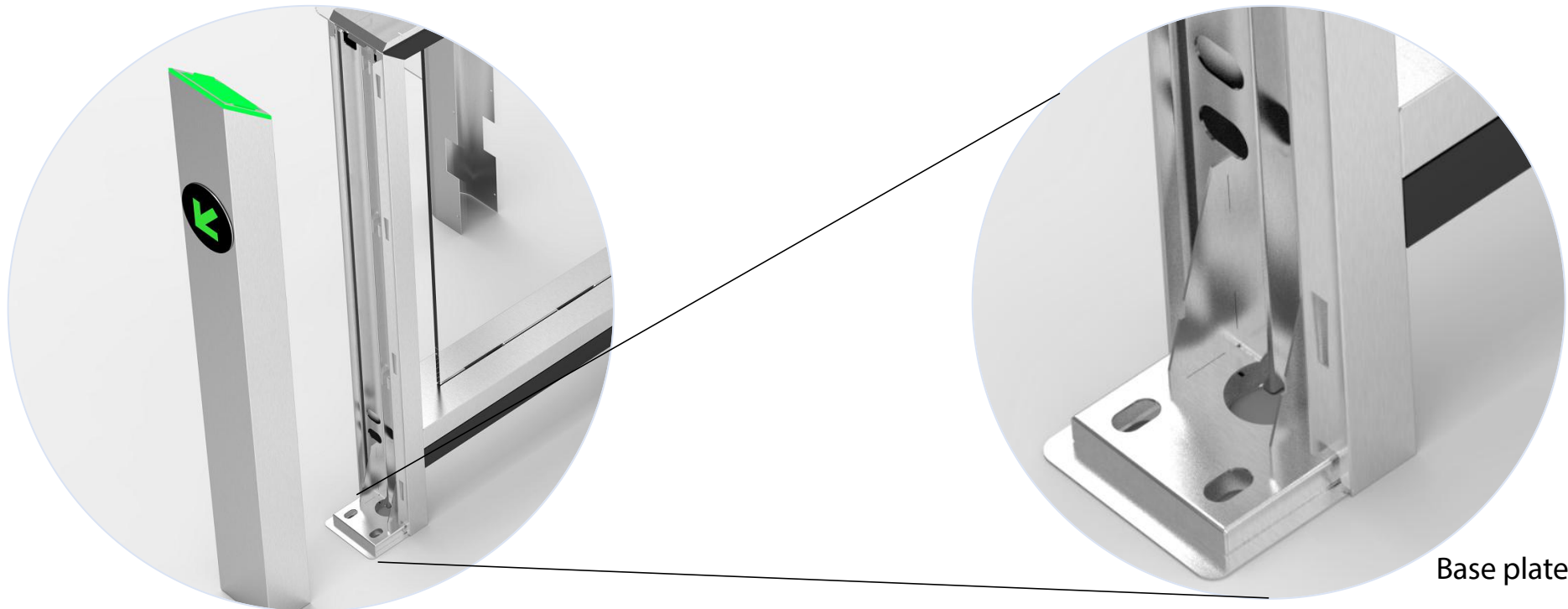
Model Name	Mars (Pro)-F1000 Series	Mars (Pro)-B1000 Series	Mars (Pro)-S1000 Series
Lane Width or Height	W: 600mm H: N/A	W: 650 to 900mm H: N/A	W: 650 to 900mm H: 1300 to 1600mm
Applications			



# Installation Base plate

It is easy to fix or uninstall the turnstile on the site with a base plate provided.

For details, please refer to the Installation Guide.



Base plate of one side



# Installation

## Key Specifications

Model Name	MCBF	Dimensions (mm)	Barrier Material	Emergency Mode	Working Environment	IR Sensor (QTY)
Mars-F1000 Series	3M	1360*180*1010	Acrylic	Y	Indoor	5 pairs
Mars-B1000 Series	5M	1360*180*1010	Acrylic	Y	Indoor	6 pairs
Mars-S1000 Series	5M	1355*120*1020	Acrylic	Y	Indoor	8 pairs
Mars Pro-F1000 Series	10M	1360*180*1010	Acrylic	Y	Indoor	16 pairs
Mars Pro-S1000 Series	10M	1355*120*1020	Acrylic	Y	Indoor	20 pairs

# Installation Key Features

## COST Delivery



Modularization: Prices are more competitive, and products could be shipped and delivered more quickly

## Flexibility



*Access reader panels reduces middlemen's or users' inventory pressure and installation time & expenses*

## Easy installation

Only removing 4 pcs screw, you can access all the interior components.

## Reliability

MCBF of the standard version device is proven to be over 2M, while what of the premium version is proven to be up to 10M. The Series supports 5-year warranty.

04

---

## Market Positioning Analysis

- Comparison with ZKTeco's Similar Products
- Comparison with Competitors' Similar Products

# Comparison within ZKTeco



Model Name (new ver.)	Model name (old ver.)	Comparison Results
<p>Mars-F1000 Series</p> <ol style="list-style-type: none"> <li>Brushless motor driver</li> <li>Full modularization</li> <li>More competitive pricing</li> </ol>	<p>FBL6000 Pro</p> <ol style="list-style-type: none"> <li>DC Brush motor</li> <li>Partial modularization</li> <li>Higher costs</li> </ol>	<p>Mars-F1000 Series</p> <ul style="list-style-type: none"> <li>Using brushless motor which has longer life cycle</li> <li>Full modularization design is easy for maintenance</li> <li>More competitive pricing</li> </ul>
<p>Mars-B1000 Series</p> <ol style="list-style-type: none"> <li>Brushless motor driver</li> <li>Full modularization</li> <li>More competitive pricing</li> </ol>	<p>SBTL5000/6000</p> <ol style="list-style-type: none"> <li>DC Brush motor</li> <li>Partial modularization</li> <li>Higher costs</li> </ol>	<p>Mars-B1000 Series</p> <ul style="list-style-type: none"> <li>Using brushless motor which has longer life cycle</li> <li>Full modularization design is easy for maintenance</li> <li>More competitive pricing</li> </ul>
<p>Mars-S1000 Series</p> <ol style="list-style-type: none"> <li>Brushless motor driver</li> <li>Full modularization</li> <li>SUS304 material</li> <li>8 pairs of IR sensors</li> </ol>	<p>SBTL7000</p> <ol style="list-style-type: none"> <li>Brushless motor driver</li> <li>Full modularization</li> <li>SPCC with powder coating</li> <li>6 pairs of IR sensors</li> </ol>	<p>Mars-S1000 Series</p> <ul style="list-style-type: none"> <li>SUS304 material is more durable</li> <li>2 more pairs of IR sensors</li> </ul>
<p>Mars Pro-F1000 Series</p> <ol style="list-style-type: none"> <li>Brushless motor driver, 10M MCBF</li> <li>Full modularization</li> <li>More competitive pricing</li> </ol>	<p>FBL5000 Pro</p> <ol style="list-style-type: none"> <li>DC Brush motor driver</li> <li>Full modularization</li> <li>More competitive pricing</li> </ol>	<p>Mars Pro-S1000 Series</p> <ul style="list-style-type: none"> <li>10M of MCBF, 5-year warranty</li> <li>Full modularization design is easy for maintenance</li> <li>Powder coating with white color</li> </ul>
<p>Mars Pro-S1000 Series</p> <ol style="list-style-type: none"> <li>Servo motor driver, 5 years of warranty</li> <li>Full modularization</li> <li>SPCC material with powder coating</li> </ol>	<p>SBTL8000</p> <ol style="list-style-type: none"> <li>Servo motor driver</li> <li>Partial modularization</li> <li>SUS304 cabinet material</li> </ol>	<p>Mars Pro-S1000 Series</p> <ul style="list-style-type: none"> <li>10M of MCBF, 5-year warranty</li> <li>Full modularization design is easy for maintenance</li> <li>Powder coating with white color</li> </ul>

# Comparison with Competitors' Products

Type Brand	Flap barrier	Flap barrier	Swing barrier	Swing barrier	Swing barrier
<b>ZKTeco</b>	<b>F1000</b> MCBF>3m, brushless motor, 5 pairs of IR sensors	<b>Pro F1000</b> MCBF>10m, brushless motor, 8 pairs of IR sensors	<b>B1000</b> MCBF>5m, brushless motor, 6 pairs of IR sensors	<b>S1000</b> MCBF>5m, brushless motor, 8 pairs of IR sensors	<b>Pro S1000</b> MCBF>10m, Servo motor, 12 pairs of IR sensors
<b>A</b>	<b>1</b> MCBF>5m, brushless motor, 5 pairs of IR sensors		<b>2</b> MCBF>5m, brushless motor. 4 pairs of IR sensors		<b>3</b> MCBF>5m, brushless motor, 10 pairs of IR sensor
<b>B</b>	<b>1</b> MCBF>3m, brushless motor			<b>2</b> MCBF>3m, brushless motor	
<b>C</b>		<b>1</b> MCBF>6M, Servo motor, 12 pairs of IR sensors	<b>2</b> MCBF>6M, Servo motor, 12 pair of IR sensors	<b>3</b> MCBF>6M, Servo motor, 12 pairs of IR sensors	<b>4</b> MCBF>6M, Servo motor, 24 pairs of IR sensors
<b>D</b>			<b>1</b> MCBF>5M, Servo motor, 12 pairs of IR sensors	<b>2</b> MCBF>5M, Servo motor, 12 pairs of IR sensors	<b>3</b> MCBF>5M, Servo motor, 20 pairs of IR sensors
<b>E</b>		<b>1</b> MCBF>15M, brushless motor, 13 pairs of IR sensors			<b>2</b> MCBF>15M, brushless motor, 8 pairs of IR sensors

05

---

## Applications

- Sports Halls
- Elevator Lobbies
- Offices

# Applications Sport Halls

## Device recommended: Mars-B1000 Series

- Obvious indicator guidance
- Anti-collision for core mechanism
- Wide lane width of 900mm
- IR sensors that detect abnormal situation and trigger alarm



# Applications

## Elevator Entrances

### Device recommended: Mars-S1000 Series

- Obvious indicator guidance
- Faster opening/closing speed
- Wide lane width of 900mm
- Different multi-biometric identification reader panels available





# Applications Office Areas

## Device recommended: Mars-F1000 Series

- Obvious indicator guidance
- Faster opening/closing speed
- Automatic opening during emergency
- Different multi-biometric identification reader panels available



# Applications Stations

## Device recommended: Mars Pro-F1000 Series

- Obvious indicator guidance
- Faster opening/closing speed
- Automatic opening during emergency
- Different multi-biometric identification reader panels available
- MCBF up to 10 millions



# Applications

## Exhibition Centers

### Device recommended: Mars Pro-S1000 Series

- Obvious indicator guidance
- Faster opening/closing speed
- Wide lane width of 900mm
- Different multi-biometric identification reader panels available
- MCBF up to 10 millions



**THANK YOU!**

---

