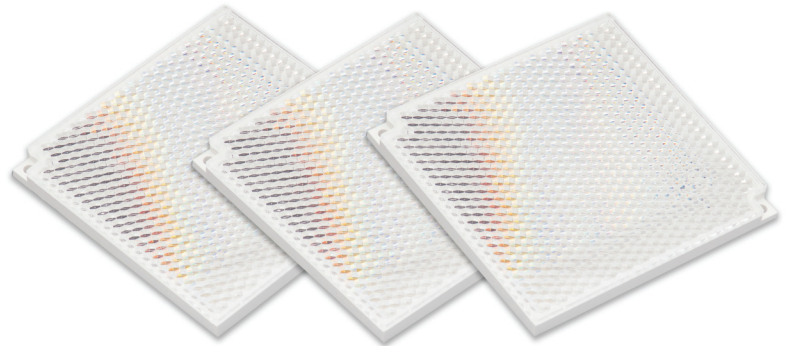




1010-000

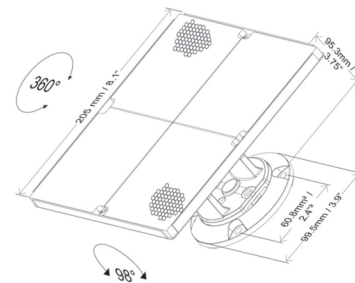
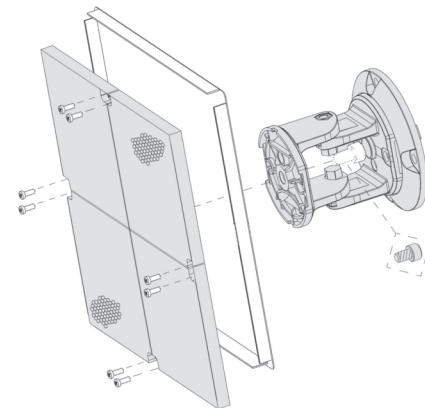
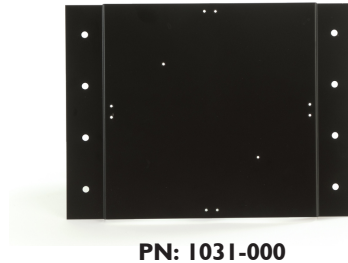
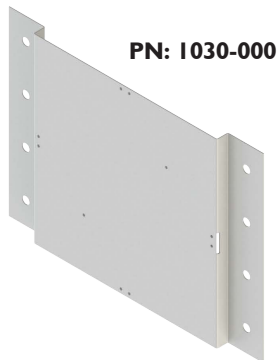
## Long Range Prism Kit



### Specification

- The 1010-000 long range prism kit allows the Fireray® reflective detectors to operate at a distance from 50m - 100m. Can either mount to the 1030-000/1031-000 surface mount plates or 5000-007 four prism plate.
- 1030-000 (white in colour)
- 1031-000 (black in colour)
- Weight: 0.25kg.

### Dimensions



FFE Limited  
9 Hunting Gate, Hitchin  
Hertfordshire, SG4 0TJ UK

t +44 (0) 1462 444 740  
e sales@ffeuk.com  
w www.ffeuk.com

Ordering code: 1010-000

Product code formerly known as: 5000-004

Specifications and wiring information are provided for information only and are believed to be accurate. FFE Ltd assumes no responsibility for their use. Data and design are subject to change without notice. Installation and wiring instructions are shipped with the products and should always be used for actual installation. For more information, contact your Sales Representative.

Document Part No: 24-0374-01

[www.ffeuk.com](http://www.ffeuk.com)