



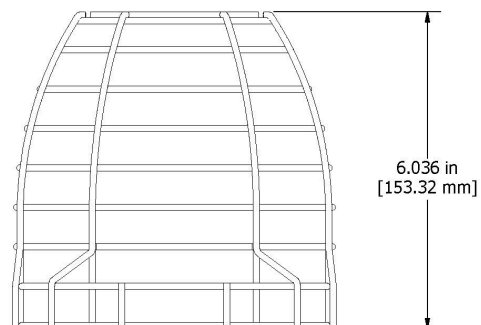
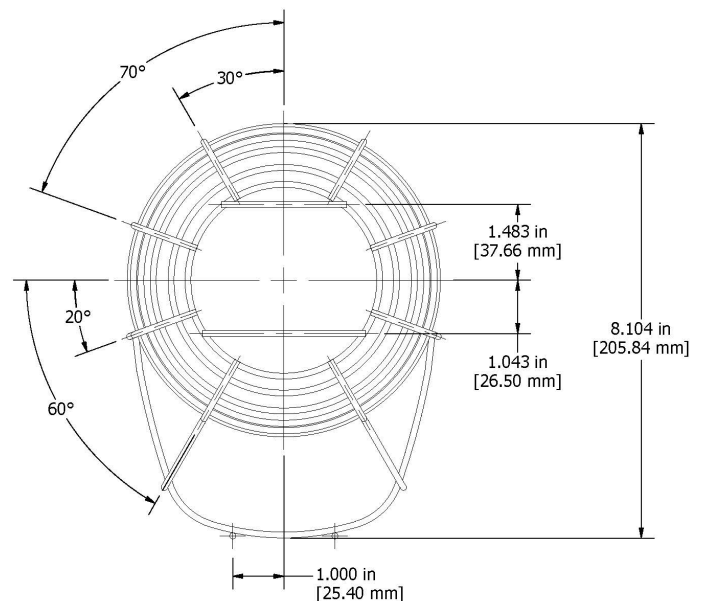
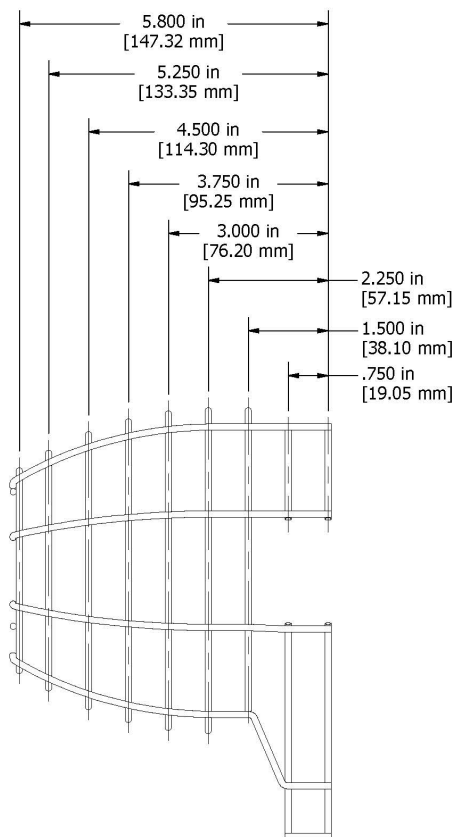
1100-000

Fireray One Protective Wire Cage

Specification

- Angle: ± 0.5
- Material: Hard Drawn Steel Wire 1008/1010 Thickness: $\varnothing 3\text{mm}$
- Finish-Product Class-Polyester Powder Coating
- Includes 4 Mounting Screws

Dimensions



FFE Limited
9 Hunting Gate, Hitchin
Hertfordshire, SG4 0TJ UK

t +44 (0) 1462 444 740
e sales@ffeuk.com
w www.ffeuk.com

Specifications and wiring information are provided for information only and are believed to be accurate. FFE Ltd assumes no responsibility for their use. Data and design are subject to change without notice. Installation and wiring instructions are shipped with the products and should always be used for actual installation. For more information, contact your Sales Representative.

Document Part No: 24-0358-01

www.ffeuk.com

