

# 1.Safety Instruction

These instructions are intended to ensure that user can use the product correctly to avoid danger and property loss. Please carefully read this guidance and keep it for future reference before operating the device.

The latest version will be updated regularly according to the software and hardware improvement of our product. Updated information will be updated in the latest version of this manual without prior notice.

The precaution measure is divided into "Warnings" and "Cautions"



## Warnings

Follow these safeguards to prevent serious injury or death.

1. Input voltage should meet both the SELV (Safety Extra Low Voltage)
2. Contact the distributor for abnormal operation. Do not disassemble or modify the devices in any way.
3. Moisture must be avoided for indoor devices in case of fire and electric shock.
4. Install the equipment on the ceiling to ensure that it can withstand at least 4 times the weight of the equipment.



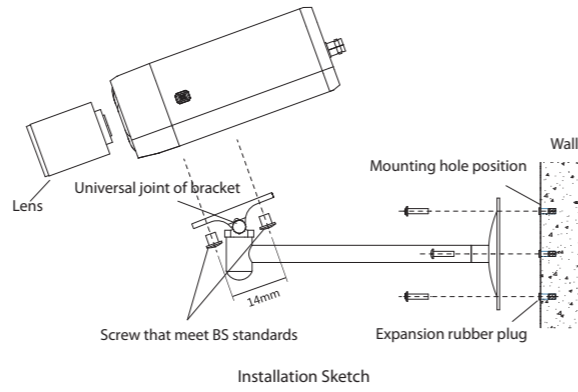
## Cautions

Follow these precautions to prevent potential injury or material damage.

1. Original package must be used for shipment and management to avoid high pressure, high vibration and imprisonments
2. Avoid direct contact with image sensor. Cover the dust cap while not operating.
3. Do not aim the camera at the extra bright places (light, sunlight, laser) in case of affecting the endurance of CMOS at the same time.
4. Do not place the camera in extremely hot, cold, dusty or damp locations, and do not expose it to high electromagnetic radiation.
5. To avoid heat accumulation, good ventilation is required for operating environment.
6. Ensure that the installation location is kept at a sufficient distance from the surrounding electromagnetic sensitive equipment to prevent electromagnetic interference.
7. Keep the camera away from liquid while on using. Original package during shipment is strongly recommended.
8. Any replacement of the device battery or the use of a mismatched type may cause irreversible damage to the device.
9. Modify the default login password when first login the device to avoid the loss caused by weak password.
10. Cut off electric power before remove micro SD card or USB devices.

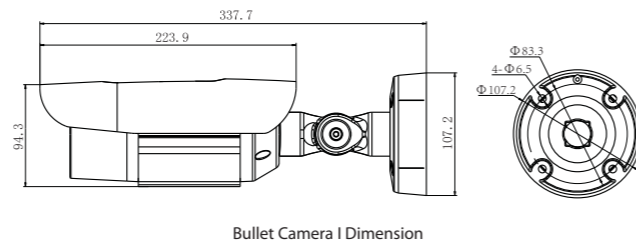
- 2 -

## 2.3 Installation Instruction (Brackets purchase separately)



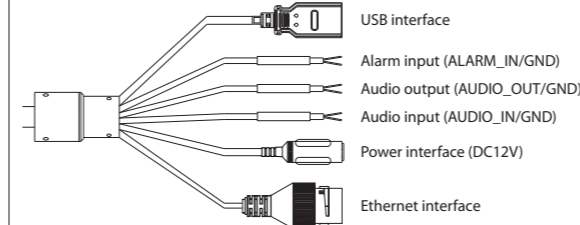
## 3.HD Bullet Camera

### 3.1 Dimension (unit: mm)



Bullet Camera I Dimension

- 4 -



Interface II  
Note: Real object should be taken as final.

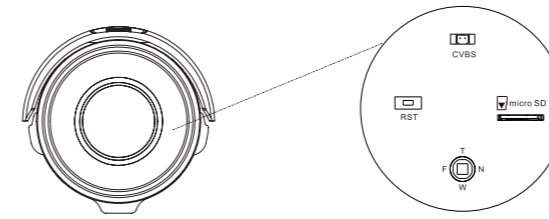
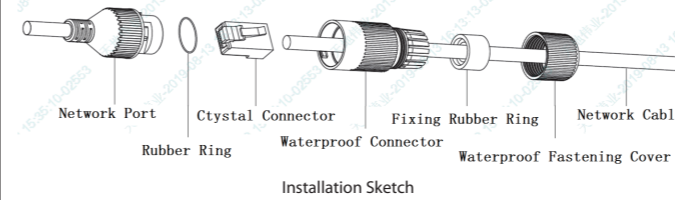
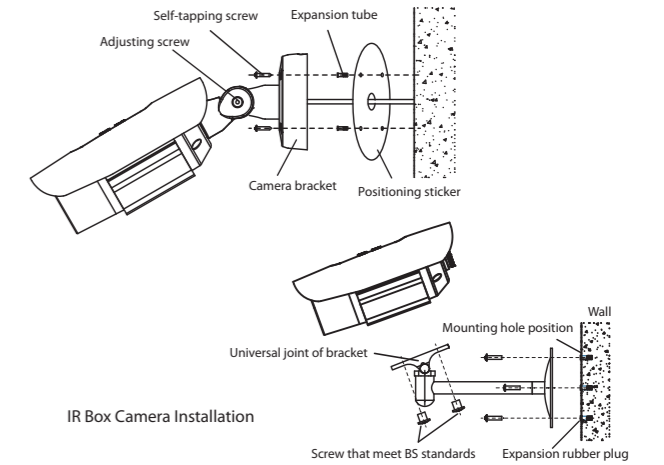


Figure- Bullet Camera I port

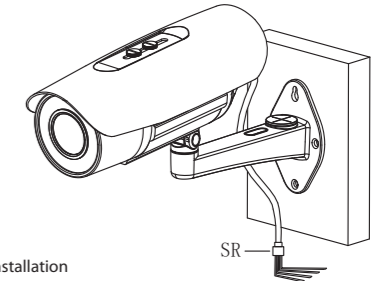
- 6 -

## 3.3 Installation Instructions



Note

1. Avoid the sun shield blocking the camera view when adjusting the sun shield position.
2. Do not open the front cover under wet environments for fog prevention.
3. Place the SR of pig tail below the camera to ensure water resistance, see the following image.

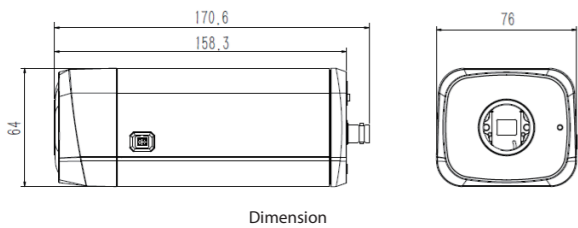


Schematic of tail line installation

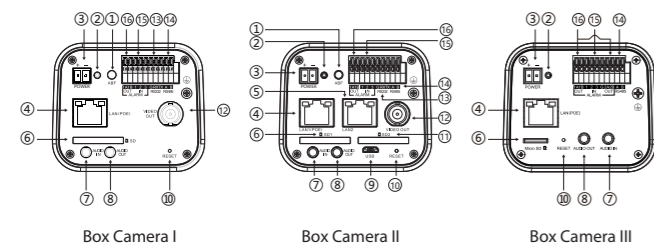
- 8 -

# 2.HD Box Camera

## 2.1 Dimension (unit: mm)



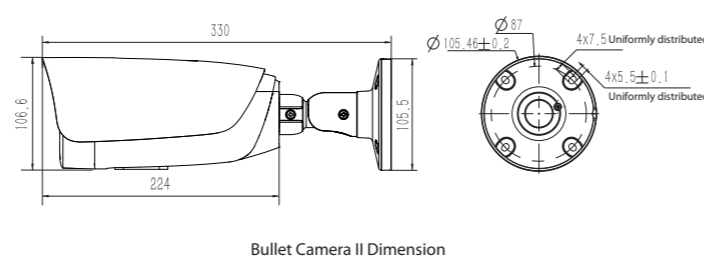
## 2.2 Interface Instruction



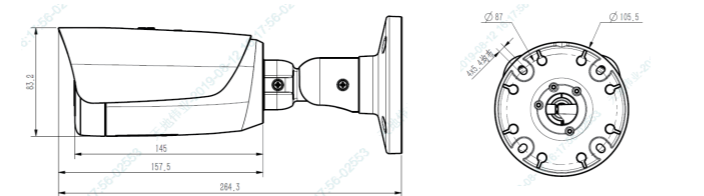
1. ABF Launch Button (Supported by select types only)
2. LED indicator: Red LED on for Normal Power. Blue LED flash for Abf operating
3. DC12V power interface (supported by select types only)
4. Ethernet interface, supporting PoE
5. Ethernet interface 2 for box camera II only
6. SD slot
7. Audio input
8. Audio output
9. Micro USB for box camera II only
10. RST button. Press 5 seconds to reboot
11. SD slot 2 for box camera II only
12. Analog output (supported by select types only)
13. RS 232 Interface (supported by select types only)
14. RS 485 Interface (supported by select types only)
15. Alarm Input, Alarm Input:1,2, Alarms Synchronization:3
16. Alarm Output (supported by select types only)

Note: Real object should be taken as final as some ports are for select types only

- 3 -

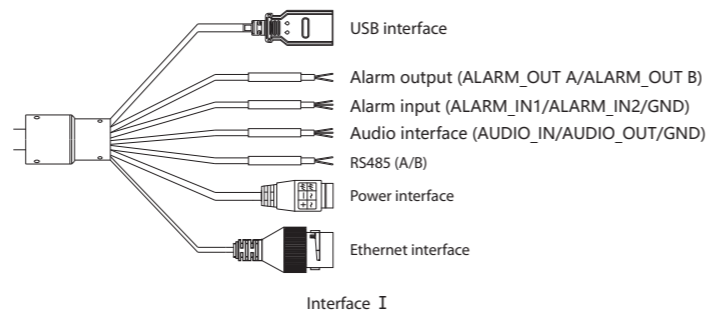


Bullet Camera II Dimension



Bullet Camera III Dimension

## 3.2 Interface Instruction



Interface I

- 5 -

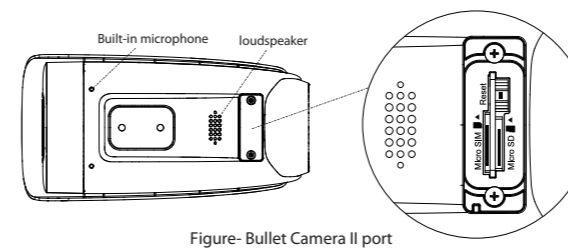


Figure- Bullet Camera II port

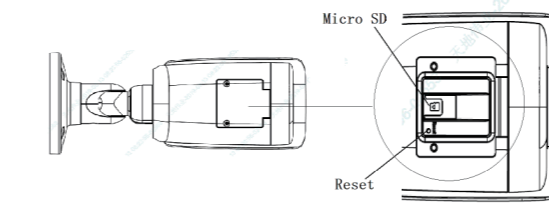


Figure- Bullet Camera III port

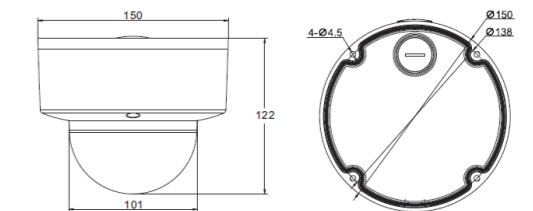
NO	Interface types	Note
1	micro SD	Micro SD slot
2	CVBS	Analog Video Output (Supported by select types only)
3	RST Button	Press 5 seconds to reset
4	T/W/F/N	Zoom/focus control for select types only
5	Micro SIM	Micro SIM Slot (Supported by select types only)

Press 5 seconds to reset

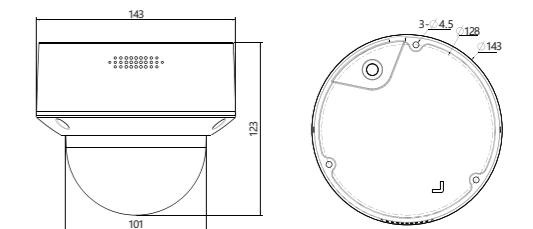
- 7 -

## 4.HD IR Dome Camera

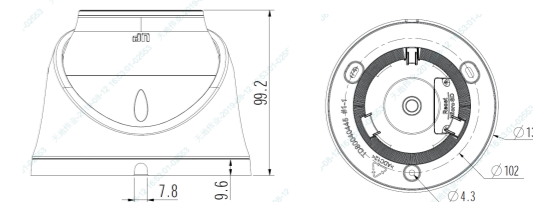
### 4.1 Dimension (unit: mm)



Dome I Dimension



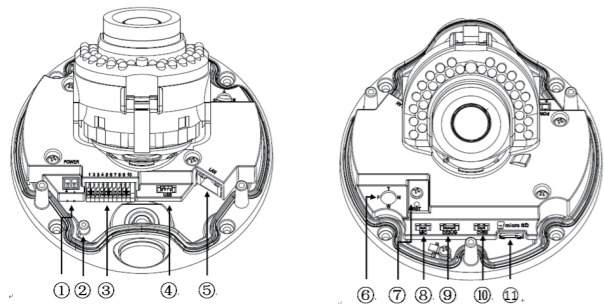
Dome II Dimension



Turret Dimension

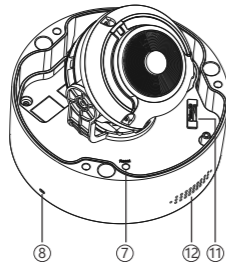
- 9 -

#### 4.2 Interface Instruction

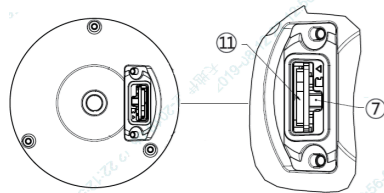


Dome I Inside Port Figure

1. Power interface (also supporting DC12V)
2. Grounding Screw
3. Signal line interface, see the base tag
4. USB interface, from left to right: GND/D+/D-/5V
5. Internet interface, supporting for POE
6. Zoom/focus control button, press for auto focus
7. Reset Button, holding for 5 seconds to take effect
8. Built-in microphone interface
9. Debug interface, only for factory debugging
10. Analog video output, used with BNC adapter cable (accessory)
11. Micro SD Slot
12. Speaker



Dome II Inside Port Figure



Dome III Inside Port Figure

#### 5. Quick operation guide

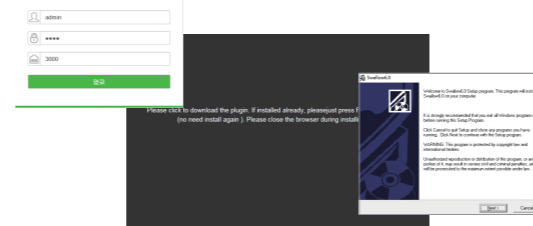
##### 5.1 Access to Devices

1. Camera Default IP address: 192.168.1.2. Please set the computer IP and device IP address in the same network segment: for example, setting 192.168.1.3 as computer IP, you can access the camera through the Internet Explorer.

Note: Use the IE browser that comes with the Windows operating system and make sure the version is above 8.0.

2. Download and install the plug-in when first operating.

3. Open IE browser and input the device IP address in the address bar to display the login interface; input the user name and password: admin / 1111 (user name is not case sensitive), and click "log in" to display the download control prompt interface. Click the link to download and install the control.



Login interface

4. After the plug-in is successfully installed, reopen the browser, input the device IP address, and click "Go to" to display the login interface.

5. Enter "admin/1111" (not case-sensitive) as Username and Password. Stream/sub stream/others stream can be connected when entering into the preview interface.

6. To ensure equipment network security, you are strongly recommended to change the password in [User Management] after login. For detailed instructions for using the device, please click (?) In the upper right corner of the interface to acquire online help.

#### Appendix I: Frequently Asked Questions (FAQ)

Safety Instruction	Corresponding Measures
Equipment or fogging	Do not open the device under wet environments. Fix the camera after disassembly and assembly, especially the screws that need to be sealed. The network cable, lock, etc. should be waterproofed as required. Camera needs to be returned to the factory for repair when the front cover glass is subjected to stress extrusion or impact.
Poor infrared effect	The infrared light cannot be fully turned on as not using the power supply that meets the specified specifications. The monitoring scene is out of the infrared light range. The transparent dome covers and the lens are not clean, or they are ground during the installation process, which needs to be replaced. The filter does not switch to night mode, and the image sensor does not sense infrared light.
Client or WEB cannot log in	The client cannot be installed or is not displayed properly. The graphics card driver is not installed correctly. Network connection or setup issues. User name and password are incorrect.
Power Adapter	The power adapter power supply range and rated power do not meet the specified requirements. The power adapter does not meet the temperature range.
Turn picture upside down	Right click the real-time video area on the preview interface of IE, and then click "Video Rotation" option.
Abnormal communication control	Check the camera configuration - PTZ management - serial port settings, whether it matches the reality.

#### Appendix II Maintenance instruction

Maintaining content	Corresponding Measures
Lens soiled	Dust: Clean the dust by using the oil-free soft brush or blow ball. Grease: Gently wipe the dust and let it dry. Use the oil-free cotton cloth or lens cleaning paper with alcohol or lens cleaning liquid, wipe the lens from center.
Electric lens focus or zoom abnormal	Abnormal power failure during electric lens operation: login IE - configuration - advanced options - system maintenance - lens reset.
Box camera picture brightness abnormal	Box Camera supports DC and P-iris types of automatic aperture lens. Different lens matching may cause abnormal picture brightness. Step 1, login IE - configuration - camera settings - HD parameters - aperture mode. Step 2, login IE - configuration - advanced options - system maintenance - aperture correction.
Dome camera transparent cover maintenance	transparent dome cover is made of transparent plastic. Dirty as dust, grease, fingerprints, etc. will cause image performance degradation or scratch the surface of the transparent dome. Dust: Clean the dust by using the oil-free soft brush or blow ball. Grease or fingerprints: Gently wipe the dust with the soft cloth and let it dry. Use oil-free cotton cloth or lens cleaning paper with alcohol or lens cleaning liquid to wipe from the center outwards.
Infrared camera glass maintenance	Gently wipe dust, water droplets or oil with a soft cloth and let it dry, then wipe from the center of the lens after adding alcohol or lens cleaning liquid to the oil-free cotton or lens cleaning paper.

# Tiandy Network Video Camera Series

## Quick Start Guide

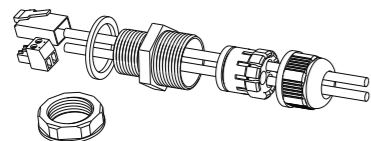


ISO 9001:2008  
ISO 14001:2004

Thank you for choosing our products. Please read the User Manual carefully before using this product. This user manual will provide you with instructions for correct installation and operation. Service hotline: 400-686-5688

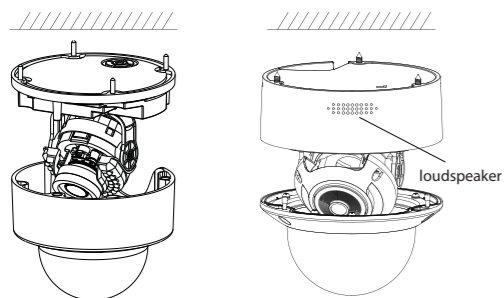
#### Caution

1. Note: Real object should be taken as final
2. Do not open the front shield under wet environments for fog prevention.
3. Dome camera has pig tail type and cable free type. Tail-type interface and network cable waterproof instruction see "3.2 interface instructions". Cable free type is equipped with waterproof lock. each hole support line diameter of 3 to 5mm. do not break the hole that are not being used. Lock must be tightened to prevent leakage or fog.



Waterproofed lock installation instruction

#### 4.3 Installation Instructions

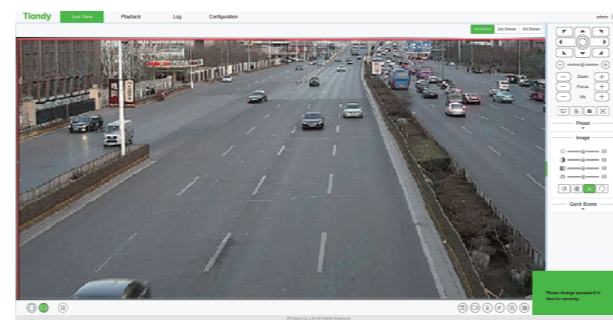


Dome I Installation

Dome II Installation

#### Note

Please face the speaker down to prevent water or dust accumulation

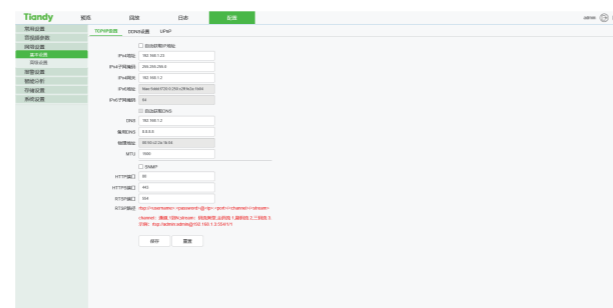


Video Preview

#### 5.2 Modify IP

To prevent IP conflicts, modify the camera's IP address in time. Please log in to the device on the Internet Explorer and modify the camera IP address (Configuration-Network-Basic Set).

Automatically obtain IP address by enabling DHCP; manually assign IP address by entering a new IP address and gateway (IP and gateway shall be in the same network segment) and click "Save". Some types will take effect after automatic restart.

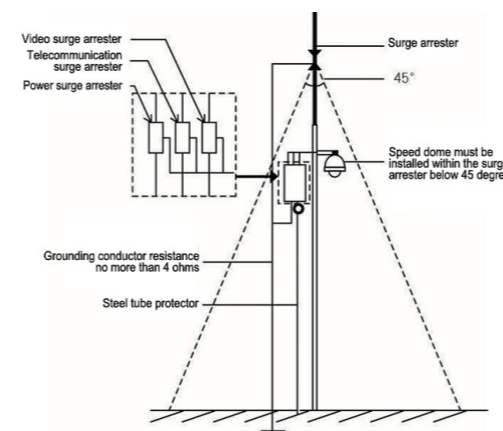


Basic Set Interface

#### Appendix III Precautions for Lightning and Surges

In order to ensure electrical safety, the following lightning protection measures must be taken

1. The distance between the signal line and high voltage has to be at least 50 meters.
2. Outdoor wiring should be under the eaves as possible as you can.
3. Sealed steel pipe should be buried when wiring on the empty plots and the steel pipe should be grounded at one point. Aerial wiring is forbidden.
4. In the area of severe thunderstorms or high sensing voltage zone (e.g. high-voltage substations), it is necessary to install additional high-power lightning protection equipment and installation of lightning rods and take other measures.
5. Outdoor devices and lightning-proof and grounding design of wires requirements must be combined with the building lightning requirements and in line with the relevant national standards, industry standards.
6. the system must be equal potential ground. The grounding device must meet the requirements of system anti-jamming and electrical safety, and must not be short-fired or mixed with the strong grid zero line. The grounding impedance must be less than 4Ω and the cross-sectional area of the grounding conductor must be more than 25mm<sup>2</sup> when the system is grounded separately.



#### Disclaimer

1. The company has tried its best to ensure the completeness and accuracy of the contents contained in the Manual. For any doubt or dispute, please refer to the company's final explanation.
2. The company will keep the contents contained in this Manual up-to-date in accordance with product enhancements and will periodically improve or update the products or procedures described in this Manual. The updated contents will be reflected in the latest version of this Manual without prior notice.
3. The contents contained in this Manual are for reference and guidance only for users. It is not guaranteed to be exactly the same with the real product. The real product shall prevail.
4. The parts, components and accessories mentioned in this Manual are for illustration purposes only and do not represent the configurations of your purchased model.

#### WARRANTY CARD

Thank you for choosing our products. This warranty card is our company's solemn commitment to you, and based on this, the company provides you with standard warranty services. It is strongly recommended that you read the instructions carefully before using the product and operate it correctly.

##### Warranty Policy

The warranty applies with the warranty card supplied.

##### After-sales Service Policy

This warranty is applicable to the product from the date of purchase, but the official original purchase certificate shall be provided. If the official original purchase certificate cannot be provided or the record (date, commodity name) is not clear, the company will define the warranty period based on the product information.

##### Warranty Services

According to the national regulations, users enjoy the warranty services for the quality problems within the warranty period.

The followings shall not be covered by the warranty:

- Exceeding one-year warranty
- Physical damage due to improper use or storage
- Failure or damage caused during transport, loading/unloading or handling
- Repair or modification by non-professionals
- Failure or damage caused by negligence, violation of operation rules or misoperation
- Failure or damage caused by force majeure factors (Fire, earthquake, lightning strike)
- No warranty over accessories such as fuse and battery
- Products not maintained by the company

#### 7×24 high-quality service

The company reserves the right of final evaluation of product failure

