

CÁMARA DE RED

Manual de consulta rápida

XNP-C9253R/XNP-C9253
XNP-C8253R/XNP-C8253
XNP-C6403R/XNP-C6403

Important

Please check 'Manuals' from our website, before connecting to the Supply,
<https://www.hanwhavision.com/en/download-data/>

Warranty

Please check "Product warranty information" from our website.
<https://www.hanwhavision.com/en/support/warranty/>

We recommend to use the officially compatible VMS version or latest Hanwha NVR version when integrating with VMS or Hanwha NVR.

The Risk Group 1 of LEDs include in the equipment, so should be attached RG1 warning label at the end-product.

※ **Los motores con bandeja/volante/zoom y el anillo colector tienen garantía por un año bajo un funcionamiento continuo.**



Hanwha Vision cares for the environment at all product manufacturing stages, and is taking measures to provide customers with more environmentally friendly products. The Eco mark represents Hanwha Vision's devotion to creating environmentally friendly products, and indicates that the product satisfies the EU RoHS Directive.



Correct Disposal of This Product (Waste Electrical & Electronic Equipment)

(Applicable in the European Union and other European countries with separate collection systems)

This marking on the product, accessories or literature indicates that the product and its electronic accessories (e.g. charger, headset, USB cable) should not be disposed of with other household waste at the end of their working life. To prevent possible harm to the environment or human health from uncontrolled waste disposal, please separate these items from other types of waste and recycle them responsibly to promote the sustainable reuse of material resources.

Household users should contact either the retailer where they purchased this product, or their local government office, for details of where and how they can take these items for environmentally safe recycling.

Business users should contact their supplier and check the terms and conditions of the purchase contract. This product and its electronic accessories should not be mixed with other commercial wastes for disposal.



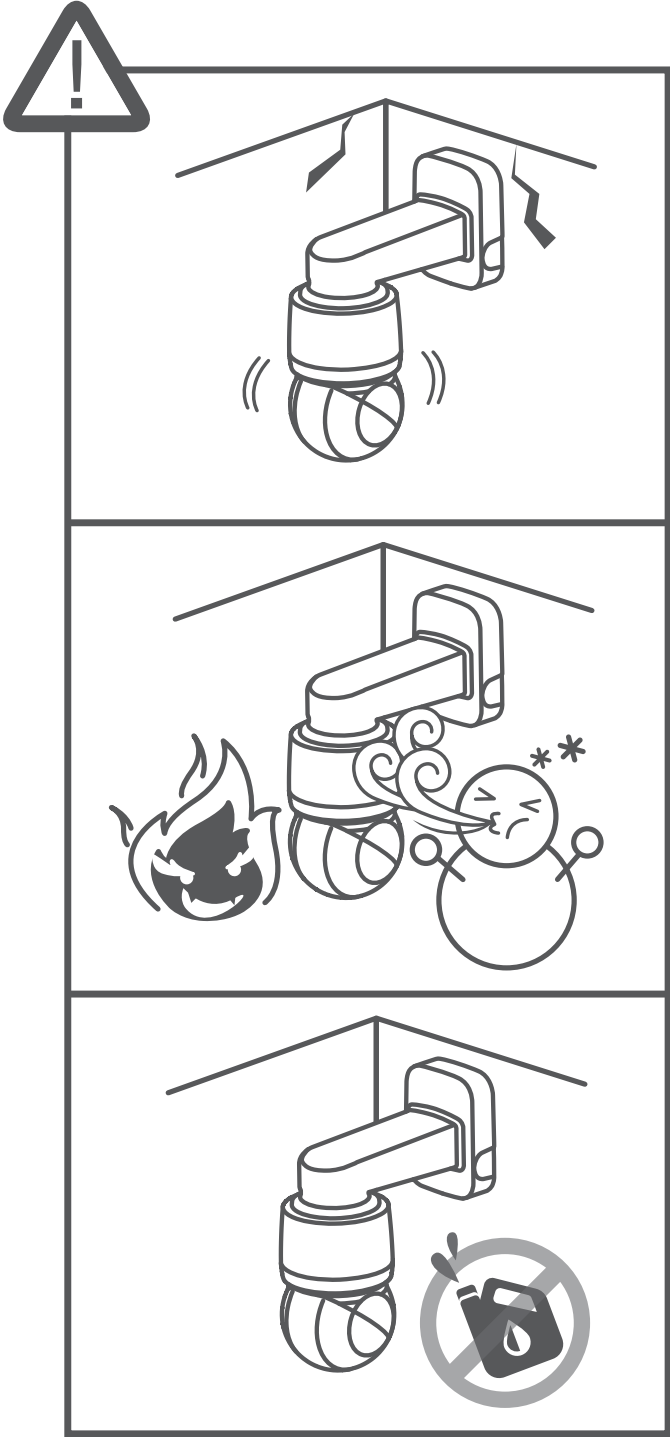
Correct disposal of batteries in this product

(Applicable in the European Union and other European countries with separate battery return systems.)

This marking on the battery, manual or packaging indicates that the batteries in this product should not be disposed of with other household waste at the end of their working life. Where marked, the chemical symbols Hg, Cd or Pb indicate that the battery contains mercury, cadmium or lead above the reference levels in EC Directive 2006/66. If batteries are not properly disposed of, these substances can cause harm to human health or the environment.

To protect natural resources and to promote material reuse, please separate batteries from other types of waste and recycle them through your local, free battery return system.

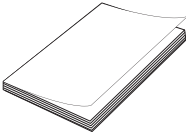
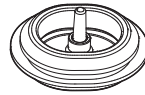
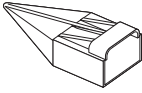
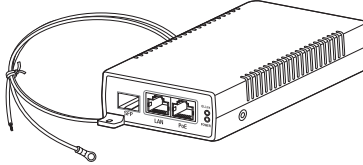
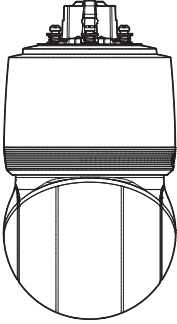
SAFETY INFORMATION



COMPONENT

Debido a los diferentes países de venta, los accesorios no son los mismos.

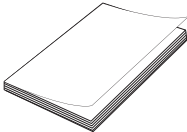
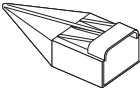
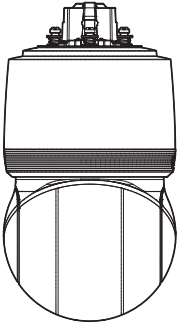
- XNP-C9253R/XNP-C8253R/XNP-C6403R



COMPONENT

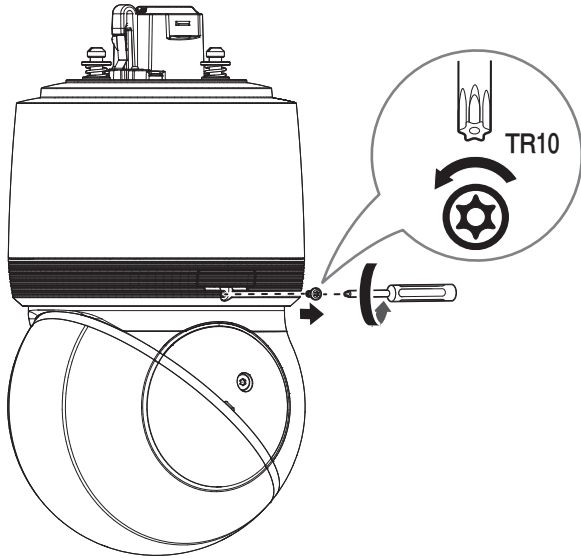
Debido a los diferentes países de venta, los accesorios no son los mismos.

- XNP-C9253/XNP-C8253/XNP-C6403

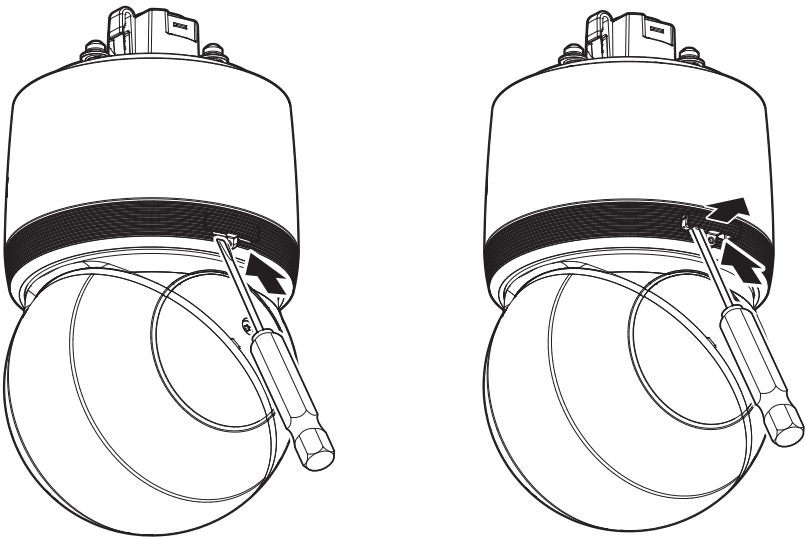


INSTALLATION

1



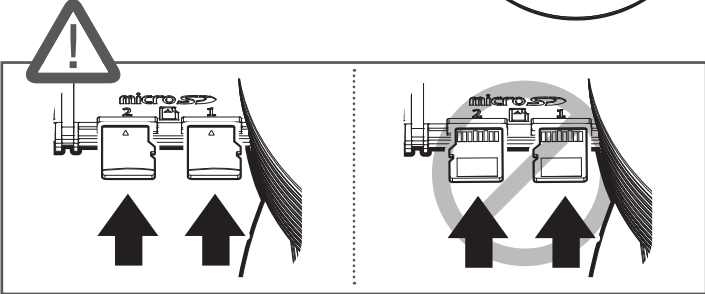
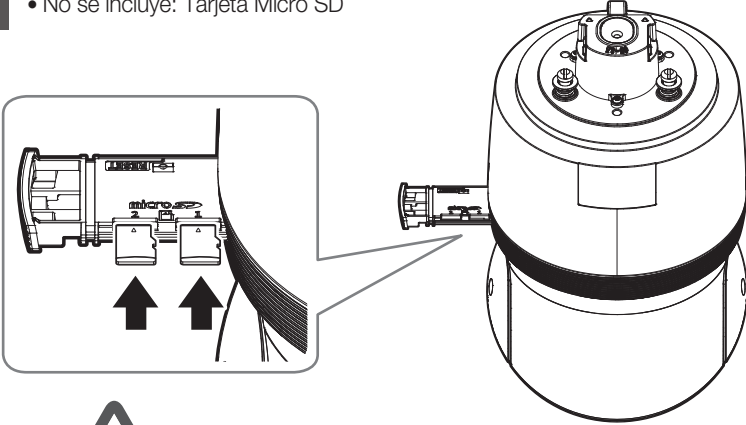
2



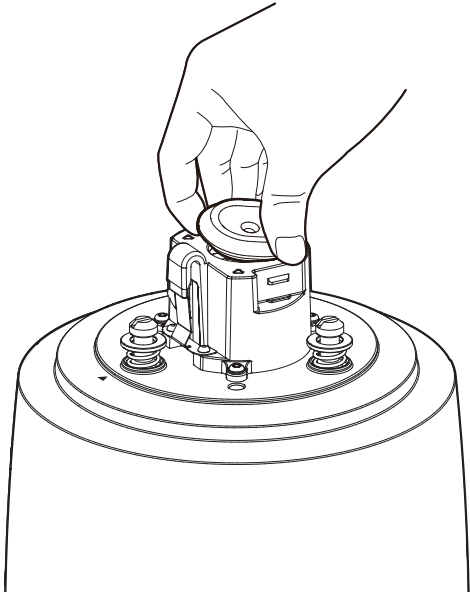
INSTALLATION

3

• No se incluye: Tarjeta Micro SD

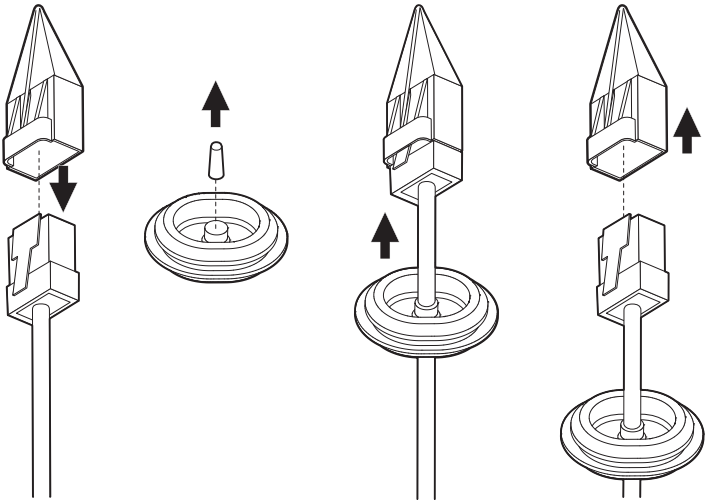


4

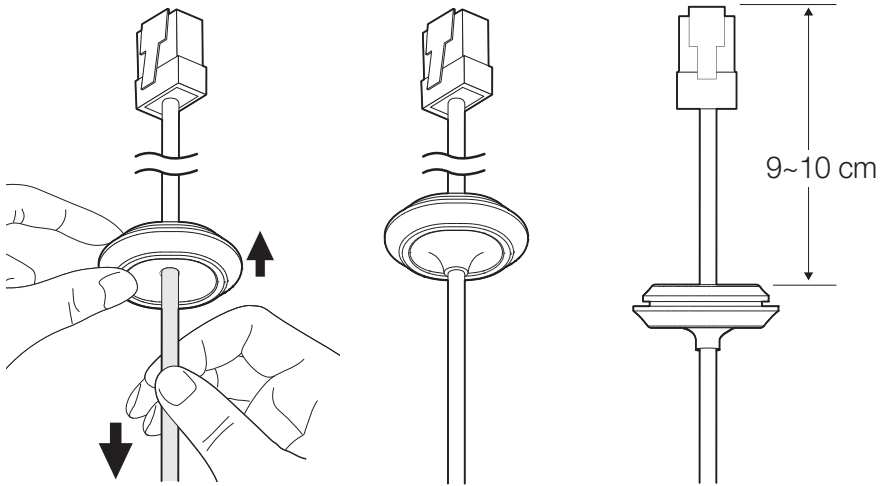


INSTALLATION

5



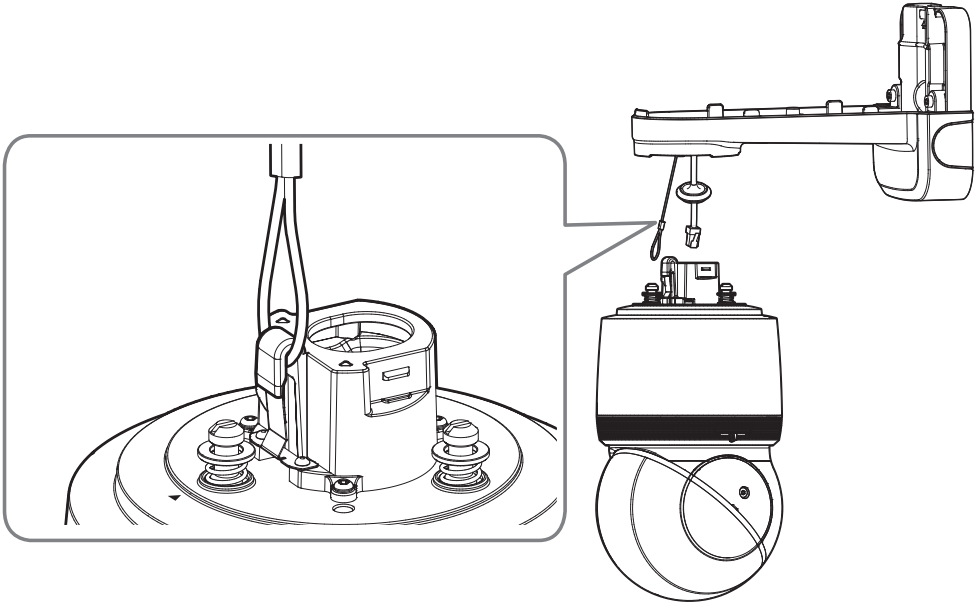
6



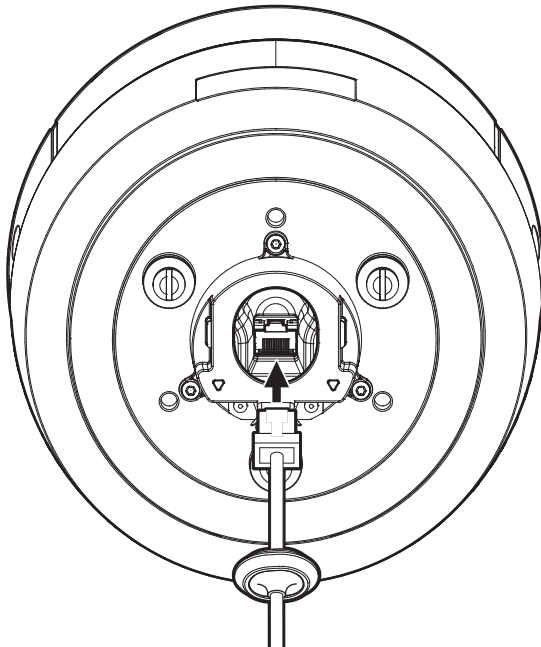
INSTALLATION

7

• No se incluye: Soporte de muro y de poste

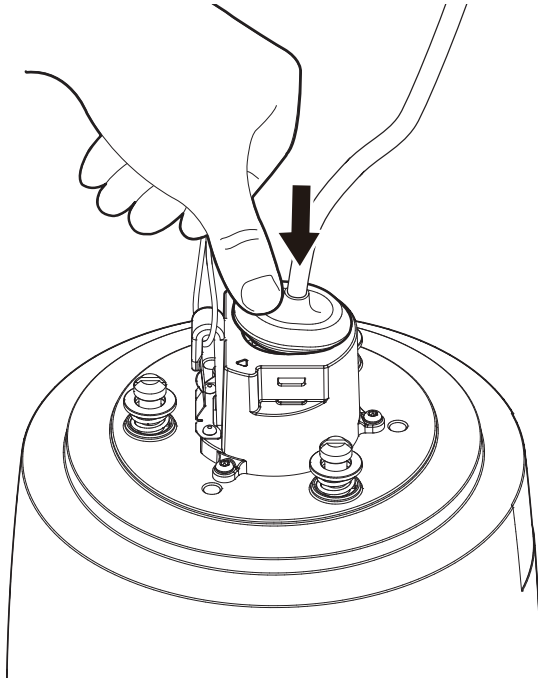


8

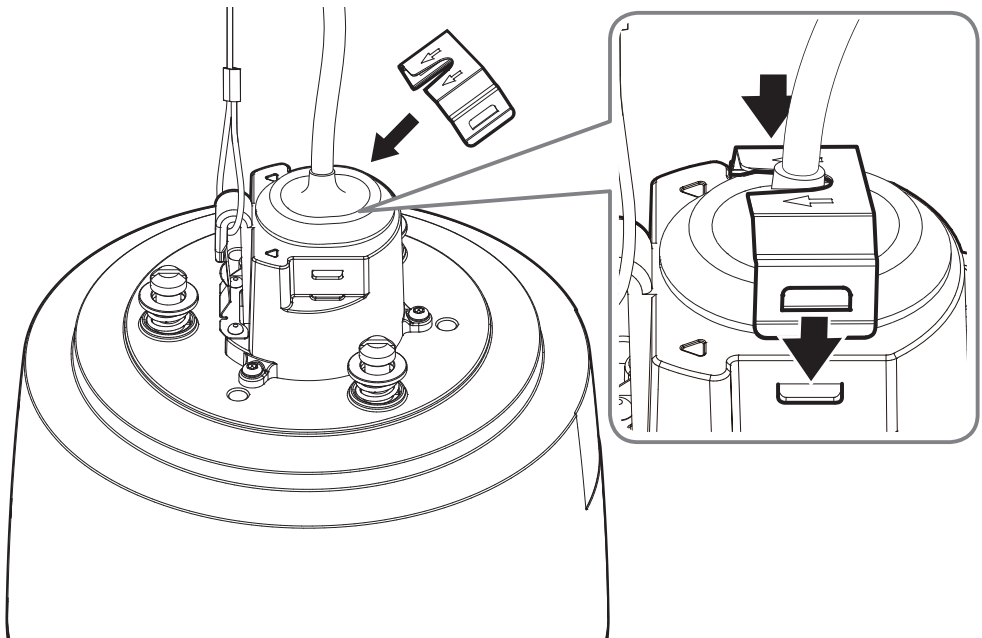


INSTALLATION

9

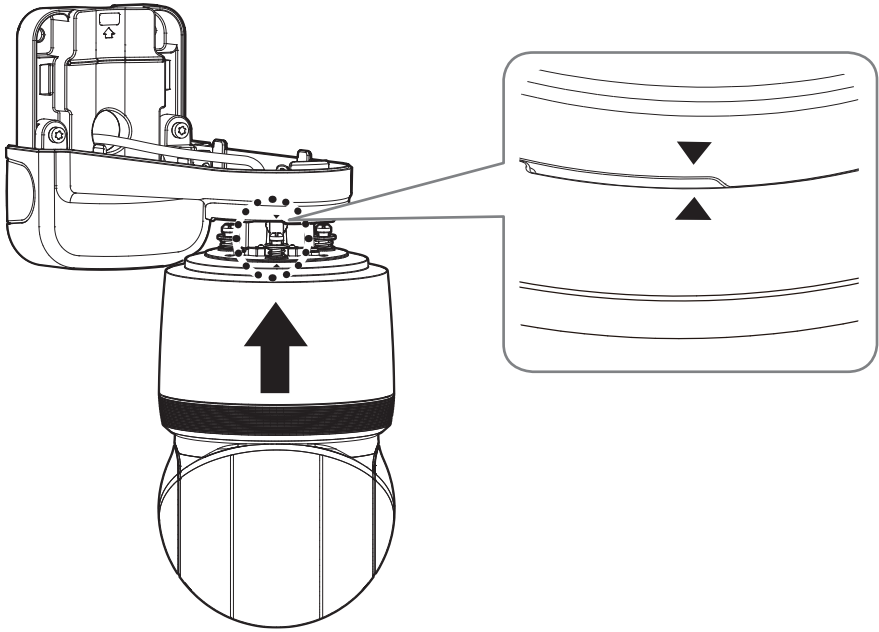


10

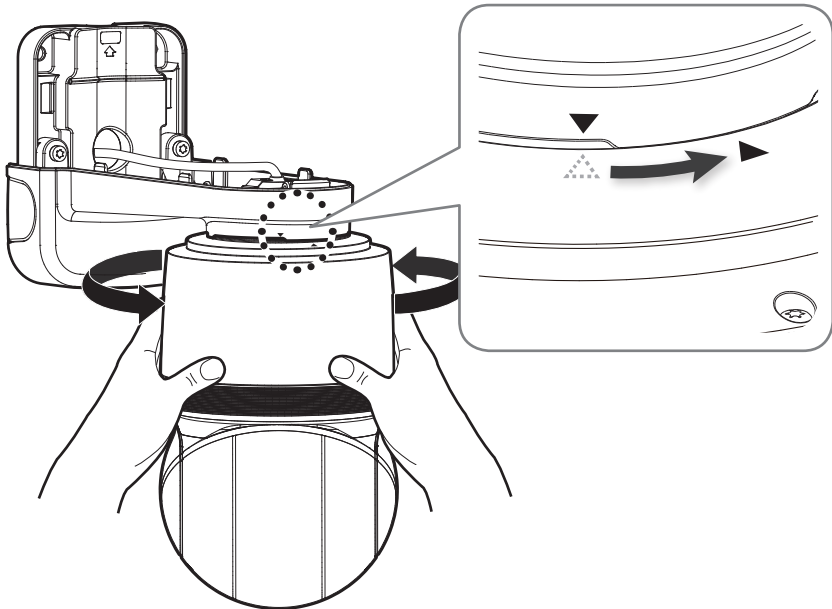


INSTALLATION

11

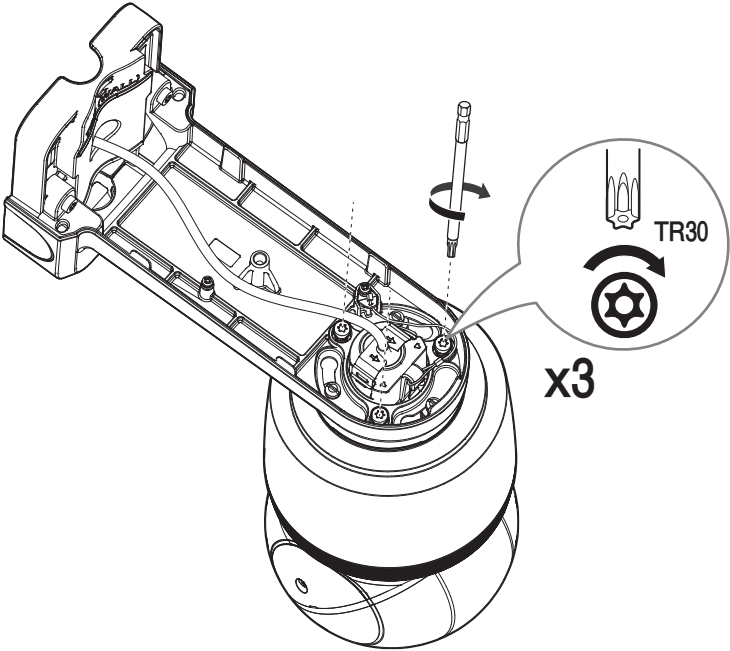


12

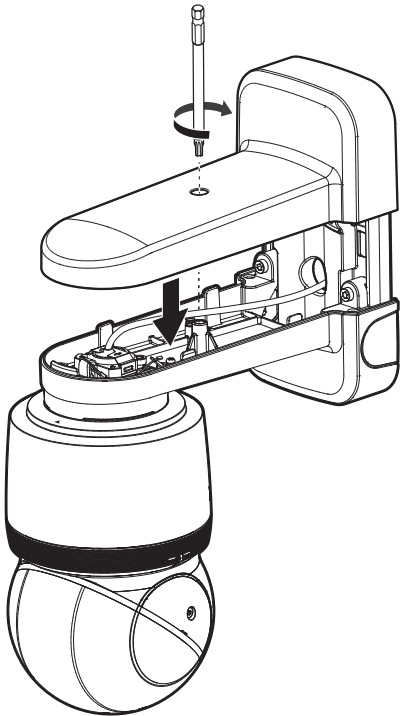


INSTALLATION

13

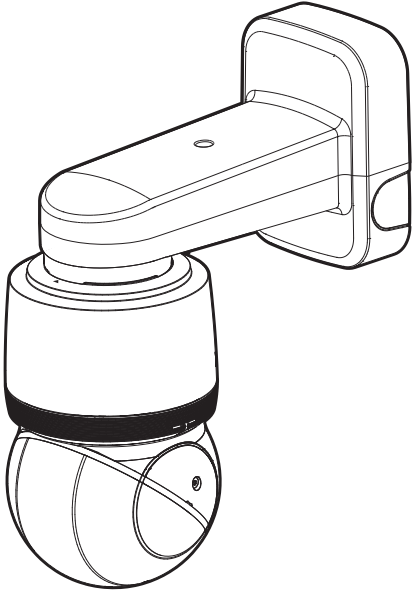


14

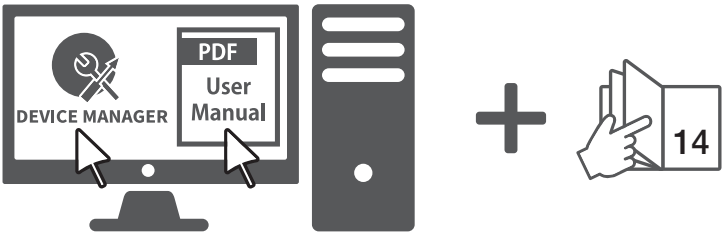


INSTALLATION

15



16



CONFIGURACIÓN DE CONTRASEÑA

Al acceder al producto por primera vez, debe registrar la contraseña de inicio de sesión.

- ❗ Para generar una nueva contraseña con 8 a 9 caracteres, debe utilizar, al menos, 3 de los siguientes caracteres: letras mayúsculas/ minúsculas, números y caracteres especiales. Para generar una contraseña con 10 caracteres o más, debe utilizar, al menos, 2 tipos de los caracteres mencionados. (admite hasta 64 caracteres)
 - Caracteres especiales que se permiten. :
~!@#\$\$%^&*()_-=+{][\|;:“<>.,?/
- No se permiten espacios en la contraseña.
- Para mayor seguridad, no se recomienda repetir los mismos caracteres ni entradas consecutivas de teclado en las contraseñas.
- Si ha perdido su contraseña, puede pulsar el botón **[RESET]** para iniciar el producto. Así pues, no pierda la contraseña utilizando un bloc de notas o memorícicela.

INICIO DE SESIÓN

Siempre que acceda a la cámara, aparecerá la ventana de inicio de sesión. Introduzca el ID de usuario y la contraseña para acceder a la cámara.

- 1 Introduzca “**admin**” en el cuadro de entrada <**User Name**>.
- 2 Introduzca la contraseña en el campo de entrada <**Password**>.
- 3 Haga clic en **[Sign in]**.



EAC

Подлежит использованию по назначению
в нормальных условиях
Срок службы : 7 лет.

Türkiye Distribütörü

EDS Elektronik Destek Sanayi ve Ticaret Ltd. Şti.

Meclis Mah. Teraziler Cad. Hayran Sk. (Eskisi Kılıç Sk.) No: 4 Sancaktepe / İstanbul / Türkiye
Tel +90.216.313.25.15 Faks +90.216.528.45.98

Koyuncu Elektronik Bilgi İşlem Sistemleri San. ve Dış. Tic. A.Ş.

Emek Mah. Ordu Cad. No:18 Sancaktepe / İstanbul / Türkiye
Tel +90.216.528.88.88 Faks +90.216.313.18.18

NFS Teknoloji ve Otomasyon Sistemleri San. Ve Tic. Ltd. Sti.

Cumhuriyet Mah Şair M.Akif Ersoy Sk. No:36 Üsküdar / İstanbul / Türkiye
Tel +90.216.505.82.28 Faks +90.216.505.82.29

Sononet Teknoloji Elekt. ve Biliş. Hiz. San. ve Tic. Ltd. Şti.

Ramazanoğlu Mah. Transtek Cad. No: 2 Pendik / İstanbul / Türkiye
Tel +90.216.999.49.49 Faks +90.212.381.61.02

ENTES ELEKTRONİK CİHAZLAR İMALAT VE TİC. A.Ş.

Dudullu Org.San.Bölg. 1. Cad. No:23 34776 Ümraniye - İstanbul / Türkiye
Tel +90.216.313.01.10 Faks +90.216.314.16.15

Cihazın Ticaret Bakanlığınca önerilen ortalama ömrü
Cihazın EEE yönetmeliklerine uygun olduğuna benzer beyan

