

# WASEX

WASHER PUMP WITH EX-PROOF SOLENOID VALVE



IP66



WASEX



WASEX



WASEX

## DESCRIPTION

The WASEX washer pump is an important element for effective video surveillance in hazardous areas because it guarantees sharp images in all environmental conditions and reduces the need for maintenance.

The WASEX system is designed for the MAXIMUS series and is also compatible with third-party products.

The kit is composed of a 10-litre stainless steel tank with an explosion-proof certified solenoid valve.

The WASEX product is Lloyd's Register Type Approval System Test Specification Number 1 certified and therefore can be used in Marine and Offshore applications for environmental categories ENV1, ENV2, ENV3 and ENV5

## CERTIFICATIONS



## MAIN FEATURES

Delivery head: 20m (66ft) or 30m (98ft)

Water tank capacity: 10l (2.6gal)

Suitable for MAXIMUS series or with third-party products

Power supply in 24Vac/dc, 5W max

## TECHNICAL DATA

### MECHANICAL

#### Materials

- Enclosure made of stainless steel AISI 316L !da duplicazione!: Stainless steel AISI 316L
- Antistatic delivery water pipe: Antistatic plastic

#### Antistatic delivery water pipe (supplied)

- Length: 20m (66ft)

#### Pressure: 6bar max

#### Delivery head

- 20m (66ft), 4bar
- 30m (98ft), 6bar (with accessory tube, WEXTUB30)

#### Water tank capacity: 10l (2.6gal)

#### 1 hole 1/2" NPT for cable entry

#### Dimensions (WxHxL): 429x697x255mm (16.9x27.4x10in)

#### Unit weight: 18kg (40lb)

### ELECTRICAL

#### WASEX2T4AT, WASEX2T4GOR, WASEX2T4IN

#### Power supply: 24Vac, 50/60Hz or 24Vdc

#### Consumption: 5W

#### WASEX2T4KC

#### Power supply: 24Vdc

#### Consumption: 10.6W

### ENVIRONMENT

#### WASEX2T4AT, WASEX2T4GOR, WASEX2T4IN

#### For indoors and outdoors installation

#### Operating temperature of solenoid valve: From -40°C (-40°F) up to +60°C (140°F)

#### Operating temperature of device: depending on the solidification temperature of the liquid

#### Relative humidity: from 5% up to 95%

#### WASEX2T4KC

#### For indoors and outdoors installation

#### Operating temperature of solenoid valve: from -40°C (-40°F) up to +55°C (131°F)

#### Operating temperature of device: depending on the solidification temperature of the liquid

#### Relative humidity: from 5% up to 95%

### CERTIFICATIONS - EXPLOSION-PROOF APPLICATIONS

For further details on certifications and markings, consult the relevant table.

### CERTIFICATIONS - MARINE APPLICATIONS

#### Lloyd's Register Marine Type Approval certification:

- Test Specification Number 1 (ENV1, ENV2, ENV3, ENV5)

#### Electromagnetic compatibility: EN60945

#### Salty fog resistance: EN60068-2-52

#### Tested at 70°C (158°F) for 16 hours in compliance with EN60068-2-2

### PART NUMBER

WASEX2T4AT	Tank 10l (2.6gal) with integrated manual pump controlled by ATEX certified solenoid valve, delivery head up to 20m (66ft) max, IN 24Vac/Vdc
WASEX2T4GOR	Tank 10l (2.6gal) with integrated manual pump controlled by EAC EX certified solenoid valve, delivery head up to 20m (66ft) max, IN 24Vac/Vdc
WASEX2T4IN	Tank 10l (2.6gal) with integrated manual pump controlled by INMETRO certified solenoid valve, delivery head up to 20m (66ft) max, IN 24Vac/Vdc
WASEX2T4KC	Tank 10l (2.6gal) with integrated manual pump controlled by KCs certified solenoid valve, delivery head up to 20m (66ft) max, IN 24Vdc

### ACCESSORIES

MBX1MAA	Explosion-proof communication box in stainless steel, IN 230Vac, with EMC filter for marine certification
MBX2MAA	Explosion-proof communication box in stainless steel, IN 24Vac, with EMC filter for marine certification
MBX3MAA	Explosion-proof communication box in stainless steel, IN 120Vac, with EMC filter for marine certification
MBA1SSA	Explosion-proof communication box in aluminium, IN 230Vac
MBA2SSA	Explosion-proof communication box in aluminium, IN 24Vac
MBA3SSA	Explosion-proof communication box in aluminium, IN 120Vac
OCTEX1/2C	Cable gland in nickel-plated brass EX 1/2" NPT, unarmoured cable IECEX-ATEX-EAC Ex
OCTEXS1/2C	Cable gland in nickel-plated brass EX 1/2" NPT, unarmoured cable IECEX-ATEX-EAC Ex
OCTEXB1/2C	Barrier cable gland in nickel-plated brass EX 1/2" NPT, unarmoured cable IECEX-ATEX-EAC Ex
OCTEXB1/2P	Barrier cable gland in nickel-plated brass EX 1/2" NPT, unarmoured cable IECEX-ATEX-EAC Ex
OCTEXBA1/2P	Barrier cable gland in nickel-plated brass EX 1/2" NPT, armoured cable IECEX-ATEX-EAC Ex
OCTEXA1/2C	Cable gland in nickel-plated brass EX 1/2" NPT armoured cable IECEX-ATEX-EAC Ex
WEXTUB30	Antistatic delivery water pipe, 30m (98ft)

For further details about cable glands part numbers, please refer to the relevant table.

### BRACKETS AND ADAPTORS

NXCOL	AISI 316L stainless steel pole adapter module
NXCW	AISI 316L stainless steel corner adapter module

### SPARE PARTS

OWEXELE24	Solenoid valve 24Vac/dc, ATEX certified
OWEXELE24GOR	Solenoid valve 24Vac/dc, EAC Ex certified
OWEXELE24INM	Solenoid valve 24Vac/dc, INMETRO certified
OWEXMANB	1/8" pressure gauge
OWEXTANKB	Pump in stainless steel, 10l (2.6gal)
OWEXTUB	Antistatic delivery water pipe, 20m (66ft)

### PACKAGE

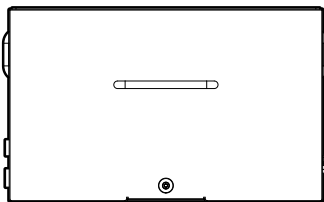
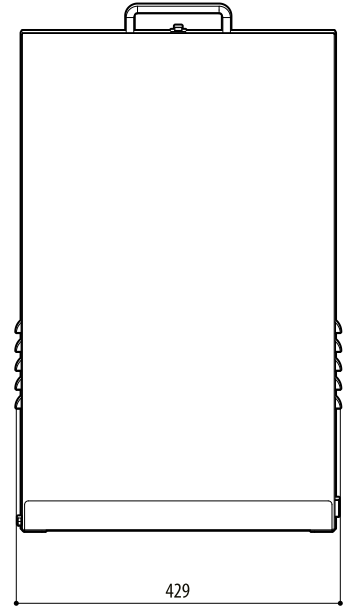
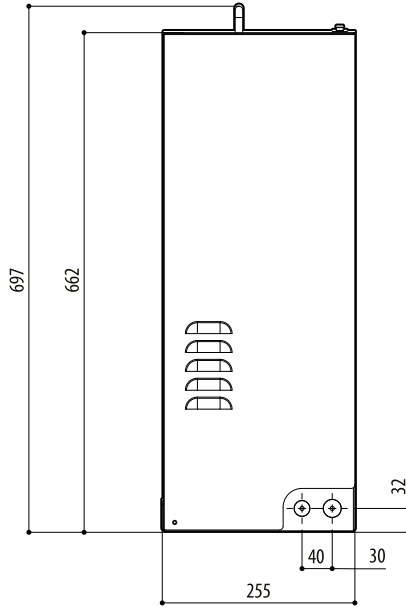
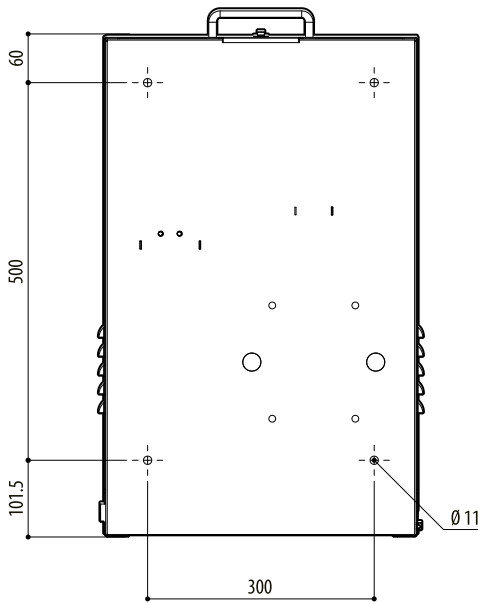
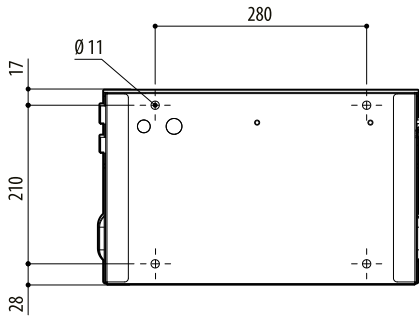
Model Number	Weight	Dimensions (WxHxL)	Master carton
WASEX2T4AT	20.3kg (44.7lb)	30x74x46cm (11.8x29.1x18.1in)	-

WASEX - CERTIFICATIONS AND MARKINGS			
Part number	Certification	Marking	Ambient temperature
WASEX2T4AT	ATEX (Solenoid valve)	⊕ 2 II GD Ex d IIC T6 or T5 or T4 Gb Ex tb IIIC T80°C or 95°C or T130°C Db IP66	-40°C ≤ Ta ≤ +35°C or +50°C or +60°C
WASEX2T4GOR	EAC Ex (Pumping unit)	II Gb c IIC T6/T5/T4 III Db c IIIC T80°C/T95°C/T130°C	-40°C ≤ Ta ≤ +35°C or +50°C or +60°C
	EAC Ex (Solenoid valve)	1 Ex d IIC T6/T5/T4 Gb X Ex tb IIIC T80°C/T95°C/T130°C Db X	-40°C ≤ Ta ≤ +35°C or +50°C or +60°C
WASEX2T4IN	INMETRO (Solenoid valve)	Ex d IIC T4 Gb IP66 Ex tb IIIC T135°C Db IP66	-40°C ≤ Ta ≤ +60°C
WASEX2T4KC	ATEX (Solenoid valve)	⊕ 2 II GD Ex db mb IIC T4 Gb Ex mb tb IIIC T135°C Db	-40°C ≤ Ta ≤ +55°C
	IECEX (Solenoid valve)	Ex db mb IIC T4 Gb Ex mb tb IIIC T135°C Db	
	KCs (Solenoid valve)	Ex d mb IIC T4 Ex mb tD A21 IP67 T135°C	

CABLE GLANDS AND ACCESSORIES 1/2" NPT						
Type	Certification	Operating temperature	Cable	Model Number	Diameter of the external cable	Under armor cable diameter
Barrier cable gland	IECEX/ATEX/EAC Ex	-60°C (-76°F) / +135°C (275°F)	Unarmoured cable	OCTEXB1/2P	12.5 - 14.0mm (0.5-0.55in)	–
			Armoured cable	OCTEXBA1/2P	15.5 - 21.1mm (0.61-0.83in)	14mm (0.6in) max
Cable gland with gasket	IECEX/ATEX/EAC Ex	-60°C / +100°C (-76°F / +212°F)	Unarmoured cable	OCTEX1/2C	3.2 - 8.0mm (0.12-0.31in)	–
			Unarmoured cable	OCTEXS1/2C	6.5 - 11.9mm (0.26 - 0.47in)	–
			Armoured cable	OCTEXA1/2C	12.5 - 20.5mm (0.49 - 0.8in)	10 - 14.3mm (0.4 - 0.56in)
Plug EX 1/2"NPT	IECEX/ATEX/EAC Ex	-100°C (-148°F) / +400°C (752°F)	–	OEXPLUG1/2P	–	–

# TECHNICAL DRAWINGS

The indicated measurements are expressed in millimetres.



WASEX