

Description

The purpose of the Z-AUXD-2 Deep Base is to allow the use of standard 20mm or 25mm electrical conduit that is surface mounted and therefore requires side entry. There is allowance for 4 conduit attachment points that are drilled on site. The holes size depends on the conduit diameter used. (see installation instructions).

The Deep Base is surface mountable and will also fit most standard European conduit boxes. The unit is compatible with any Z6BS or ZP7SB detector bases

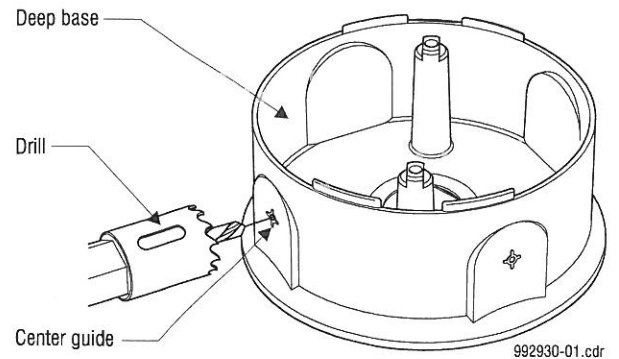
Specification

- Operating temperature range: 0 to 37.8 ° C
- Operating humidity range: 20% to 95% RH (noncondensing)
- Storage temperature range: -20 to 60 ° C
- Construction and finish: Beige moulded ABS
- Compatible items: Any Z6BS or ZP7SB detector bases
- Weight: 165g
- Compatible mounting boxes: 1-gang box (75 mm) box with 60.3 mm fixing centers
- Compatible Conduit sizes: Max. diameter 25mm

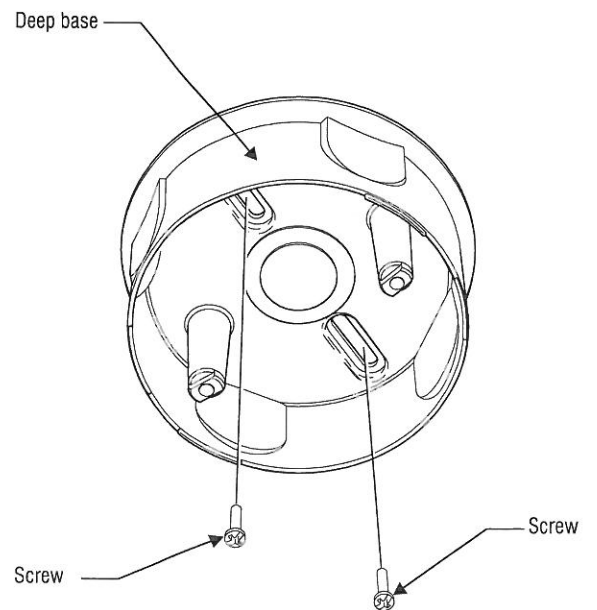
Installation Instructions

1. Drill holes as required for conduit gland connection (use manufactures recommended diameter for gland holes – max 25mm). Use the center mark guides on the product to center the pilot drill as shown below. Note: drill holes prior to

installation. A clamping jig is recommended for safety.



2. Install the deep base directly to the surface or to a conduit box as required. (screws not supplied).



3. Wire the Detector Base as per the Installation instructions for the Base being used.
4. Line the Detector Base attachment slots with the posts on the Deep Base.

	DEEP BASE CAT. NO. Z-AUXD-2
	DEEP BASE
QTY. 1	
UNIT PC.	

992933-01.cdr