

XNP-6371RH

2M H.265 NW 37x IR PTZ Camera



Key Features

- Max. 2megapixel (1920 x 1080) resolution
- 6~ 222mm (Optical 37x) lens
- 0.01Lux@F1.5 (Color), 0Lux (B/W, IR LED on)
- Max. IR viewable length : 350m (1,148ft)
- Day & Night (ICR), WDR (150dB)
- DIS & Shock detection with built-in gyro sensor
- Intelligent Video / Audio Analytics, Defog
- H.265, H.264, MJPEG codec support
- Multiple streaming, WiseStream II support
- MicroSD / SDHC / SDXC memory 2 slots (Up to 512 GB)
- IP66, IK10

Accessories (Optional)



SBP-303HF



SBP-300WM1



SBP-300WM



SBP-300PM



SBP-300CM



SBP-300LM



SBP-300KM



SBP-300NB



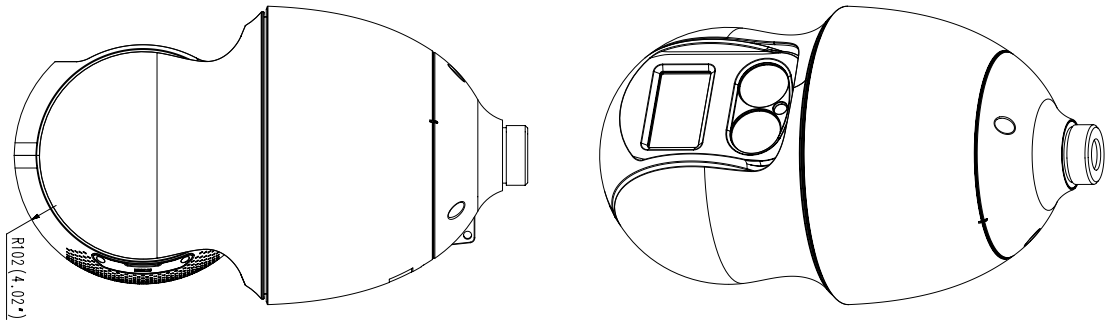
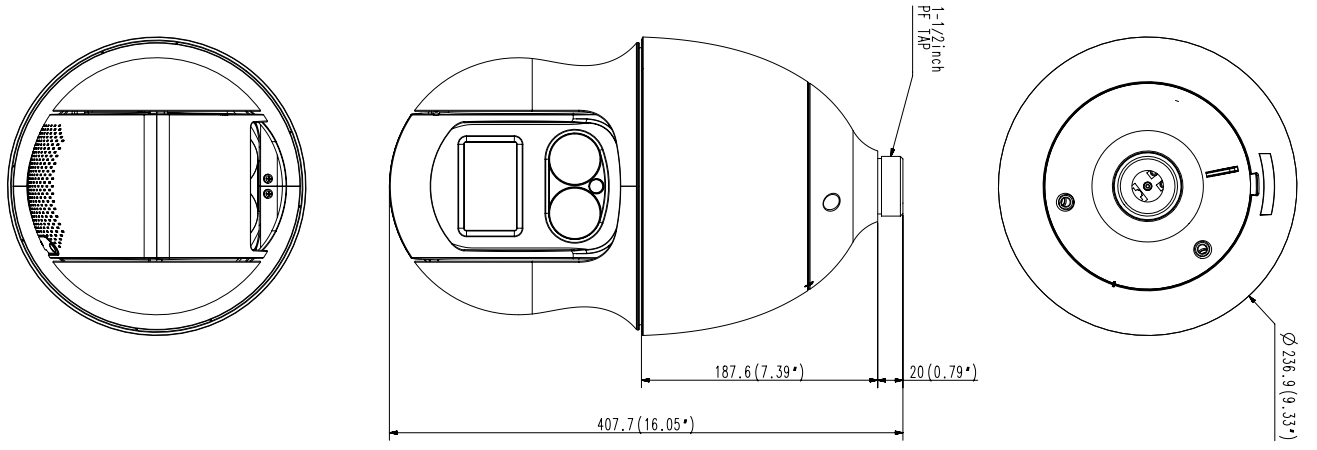
SBP-300B

Video	
Imaging Device	1/2" 2MP CMOS
Effective Pixels	1937(H)x1097(V)
Min. Illumination	Color: 0.01Lux(F1.5, 1/30sec) BW: 0Lux(IR LED)
Video Out	CVBS: 1.0 Vp-p / 75Ω composite, 720x480(N), 720x576(P) for installation
Lens	
Focal Length (Zoom Ratio)	6~222mm(37x) zoom
Max. Aperture Ratio	F1.5(Wide)~F4.6(Tele)
Angular Field of View	H: 59.3°(Wide)~1.9°(Tele) / V: 35.8°(Wide)~1.1°(Tele)
Min. Object Distance	1.5m(3.28ft)
Focus Control	Oneshot AF
Lens Type	DC auto iris
Pan / Tilt / Rotate	
Pan Range	360° Endless
Pan Speed	Preset: 400°/sec, Manual: 0.024°/sec ~ 250°/sec
Tilt Range	190°(-5°~185°)
Tilt Speed	Preset: 300°/sec, Manual: 0.024°/sec ~ 250°/sec
Sequence	Preset(300ea), Swing, Group(6ea), Trace, Tour, Auto Run, Schedule
Preset Accuracy	±0.2°
Azimuth	Support
Auto Tracking	Support
Operational	
IR Viewable Length	350m(1,148.29ft)
Camera Title	Displayed up to 85 characters
Day & Night	Auto(ICR)
Backlight Compensation	BLC, HLC, WDR, SSSDR
Wide Dynamic Range	150dB
Digital Noise Reduction	SSNR V
Digital Image Stabilization	Support(built-in gyro sensor)
Defog	Support
Motion Detection	8ea, rectangular zones
Privacy Masking	24ea, rectangular zones - Color: Grey/Green/Red/Blue/Black/White - Mosaic
Gain Control	Low / Middle / High
White Balance	ATW / AWC / Manual / Indoor / Outdoor
Electronic Shutter Speed	Minimum / Maximum / Anti flicker (2~1/12,000sec)
Video Rotation	Flip, Mirror
Analytics	Defocus detection, Directional detection, Fog detection, Face detection, Motion detection, Digital auto tracking, Appear/Disappear, Enter/Exit, Loitering, Tampering, Virtual line, Audio detection, Sound classification, Shock detection

Serial Interface	RS-485(Samsung-T, Pelco-D/P, Panasonic, Bosch, AD, GE, Vicon, Honeywell)
Alarm I/O	Input 4ea / Output 2ea
Alarm Triggers	Analytics, Network disconnect, Alarm input
Alarm Events	File upload via FTP and e-mail Notification via e-mail SD/SDHC/SDXC or NAS recording at event triggers Alarm output PTZ Preset
Audio In	Selectable(mic in/line in) Supply voltage: 2.5VDC(4mA), Input impedance: 2K Ohm
Audio Out	Line out, Max.output level: 1Vrms
Network	
Ethernet	RJ-45(10/100BASE-T), SFP(Optional)
Video Compression	H.265/H.264: Main/Baseline/High, MJPEG
Resolution	1920x1080, 1280x1024, 1280x960, 1280x720, 1024x768, 800x600, 800x448, 720x576, 720x480, 640x480, 640x360, 320x240
Max. Framerate	H.265/H.264: Max. 60fps/50fps(60Hz/50Hz) MJPEG: Max. 30fps/25fps(60Hz/50Hz)
Smart Codec	Manual(5ea area), WiseStreamII
Bitrate Control	H.264/H.265: CBR or VBR MJPEG: VBR
Streaming	Unicast(20 users) / Multicast Multiple streaming (Up to 10 profiles)
Audio Compression	G.711 u-law /G.726 Selectable G.726(ADPCM) 8KHz, G.711 8KHz G.726: 16Kbps, 24Kbps, 32Kbps, 40Kbps AAC-LC: 48Kbps at 16KHz
Protocol	IPv4, IPv6, TCP/IP, UDP/IP, RTP(UDP), RTP(TCP), RTCP,RTSP, NTP, HTTP, HTTPS, SSL/TLS, DHCP, FTP, SMTP, ICMP, IGMP, SNMPv1/v2c/v3(MIB-2), ARP, DNS, DDNS, QoS, PIM-SM, UPnP, Bonjour, SRTP, LLDP
Security	HTTPS(SSL) Login Authentication Digest Login Authentication IP Address Filtering User access log 802.1X Authentication(EAP-TLS, EAP-LEAP)
Edge Storage	SD/SDHC/SDXC 1slot 256GB
Application Programming Interface	ONVIF Profile S/G/T SUNAPI(HTTP API) Wisenet open platform
Web Viewer	Support OS: Windows 7, 8.1, 10, Mac OS X 10.10, 10.11, 10.12 Recommended browser : Google Chrome Supported browser: MS Explore11, MS Edge, Mozilla Firefox(Window 64bit only), Apple Safari (Mac OS X only)
Memory	1024MB RAM, 256MB Flash
Environmental	
Operating Temperature / Humidity	-50°C~+55°C (-122°F~+131°F) / Less than 90% RH
Storage Temperature / Humidity	-50°C~+60°C (-122°F~+140°F) / Less than 90% RH
Certification	IP66, IK10
Electrical	
Input Voltage	24VAC

Power Consumption	24VAC: Max 90W
Mechanical	
Color / Material	Body: Ivory / Plastic, Head: Black / Plastic
Product dimensions / weight	Ø236.9x407.7mm(9.33x16.05"), 7.1Kg(15.65 lb)

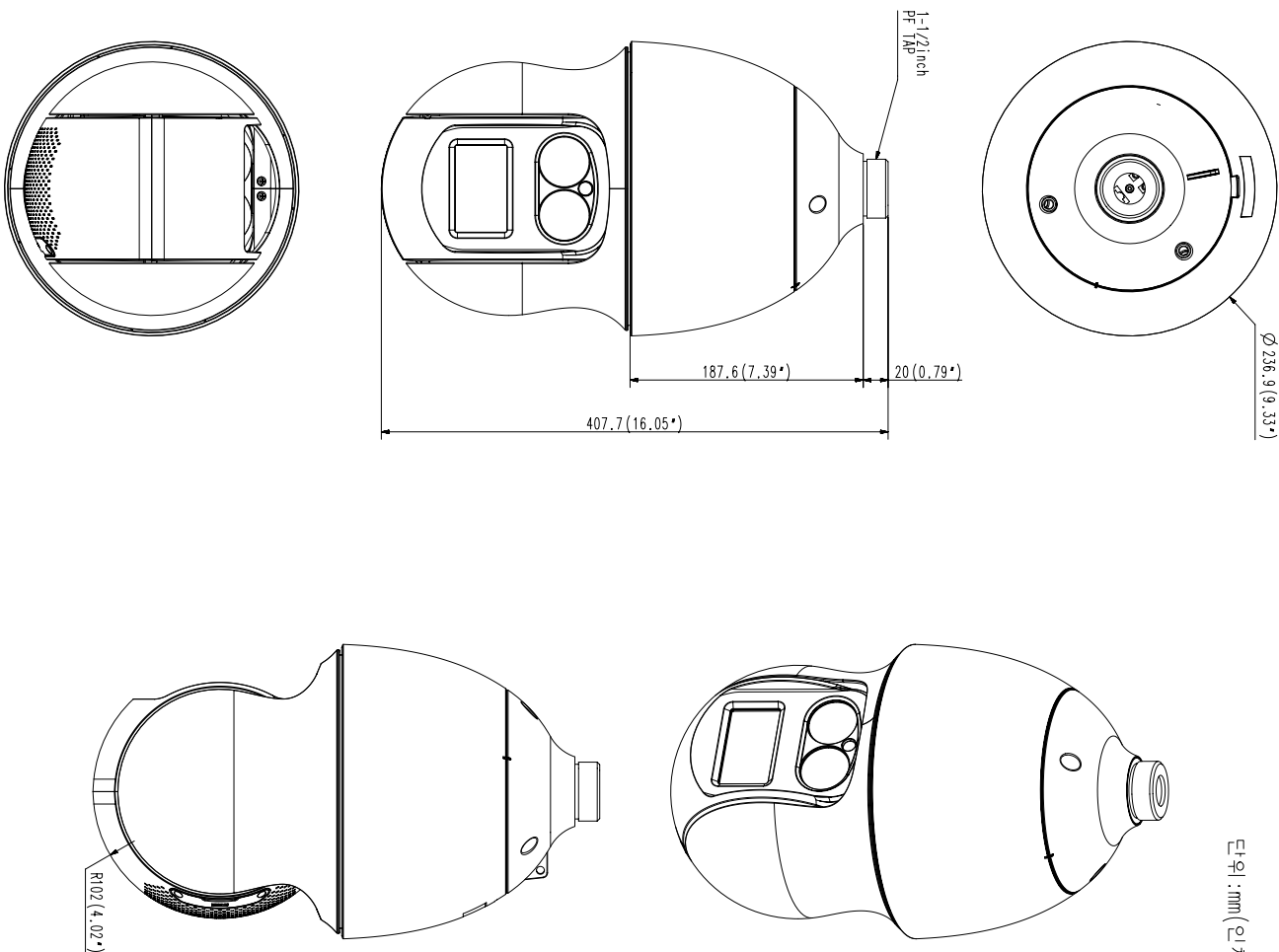
- The latest product information / specification can be found at hanwha-security.com
- Design and specifications are subject to change without notice.
- Wisenet is the proprietary brand of Hanwha Techwin, formerly known as Samsung Techwin.



단위 : mm (인치)

NO	PART NAME	CODE NO.	MATERIAL	Q'TY	REMARK
1	PNP-9200RH_Camera_Total_Asny	-	MATERIAL	1	REMARK

단위 : mm (인치)



STANDARD TOLERANCE

DIV	h1	h2	h3	h4	h5
0-6	±0.06	±0.1	±0.1	±0.2	±0.3
16-49	±0.06	±0.1	±0.2	±0.3	±0.4
63-250	±0.1	±0.2	±0.3	±0.4	±0.4
250-1000	±0.2	±0.3	±0.4	±0.5	±0.5

UNIT	MM	DESIGN	CHECK	APPROVAL
SCALE	1 / 1	Design	Check	Approval
		15.08.01	15.08.01	15.08.01

PART NAME	MODEL NAME	CODE NO.
PNP-9200RH_Camera_Total_Asny	PNP-9200RH	-

Hanwha Techwin