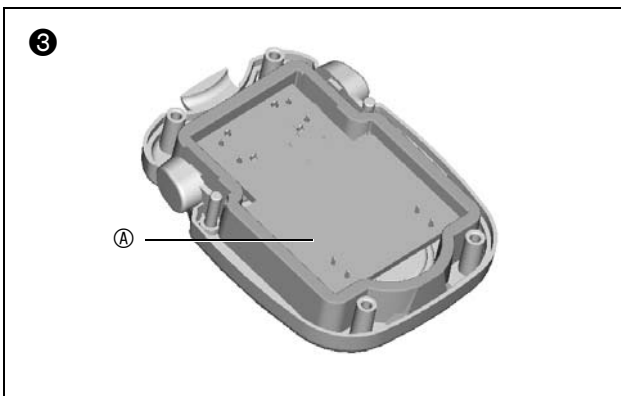
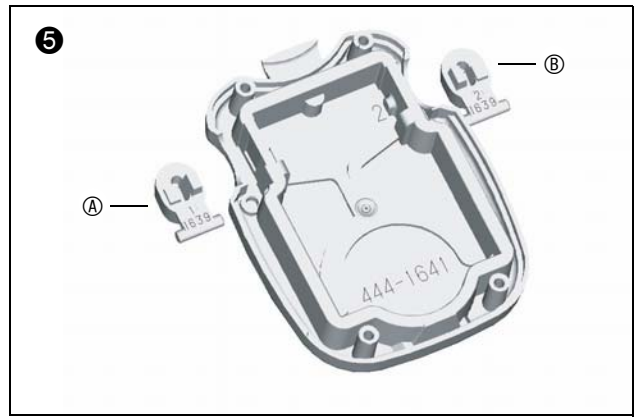
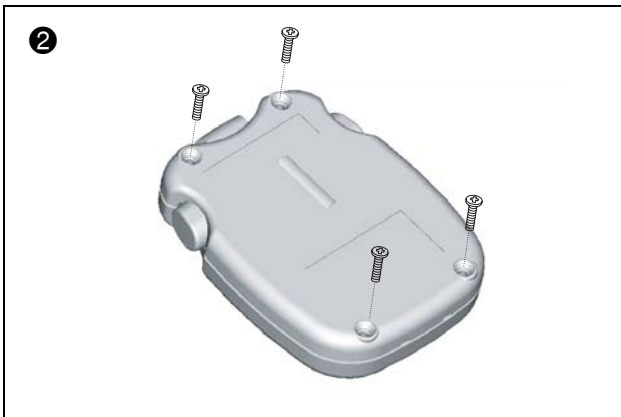
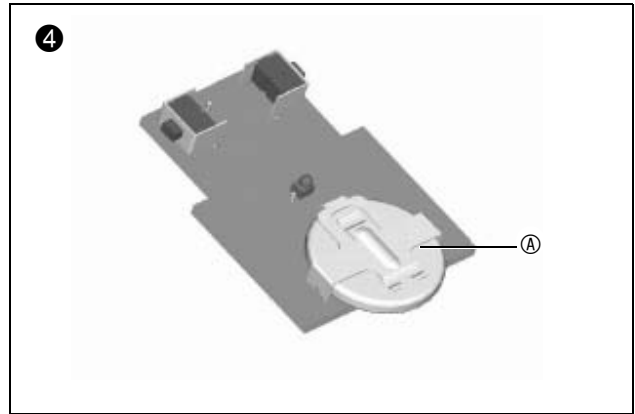
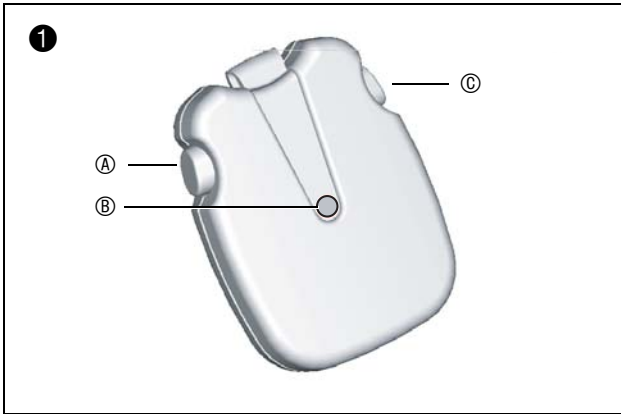




2-Button Pendant Panic Sensor 868 GEN2 Installation Instructions

xxxxxx7<DRAFT>A • June 2008
Copyright © 2008 GE Security

EN	DE	FR	NL	ES	PT	PL	IT	TR	SV	NO	FI	DA	ZH	JA
2	3	3	3	3	3	3	3	3	3	3	3	3	3	3



EN Installation Instructions

Introduction

This is the GE *2-Button Pendant Panic Sensor 868 GEN2 Installation Instructions* for model TX-3011-03-1. The sensor is a supervised, wireless device designed to be used throughout the installation site. The sensor is worn around the neck on the strap provided. The sensor is water resistant and has been tested to a depth of 9 ft. (3 m).

The sensor contains a transmitter and two activation buttons (left **A** and right **B** in Figure **1**). It does not require switches or external wiring. An alarm is activated by pressing and holding both buttons for a minimum of half a second. The LED (**C** in Figure **1**) on the sensor flashes for one minute following activation.

The sensor can also transmit additional signals when a single button is pressed; the resulting action at the panel is specific to the panel and can be used for a variety of applications.

The sensor periodically transmits a signal so the panel can supervise the sensor. When the sensor battery voltage is low, the sensor sends a low battery (trouble) signal to the panel.

Installation guidelines

For proper operation of the sensor, use the following guidelines:

- Try to keep the sensor within 100 ft. (30.5 m) of the panel. This recommendation is only a guideline, actual sensor range is determined during sensor testing.
- To allow users to take the sensor offsite, without the panel reporting a supervisory or failure condition, program the sensor into an unsupervised sensor group.

Programming

The following steps describe general guidelines for programming (learning) the sensor into panel memory. Refer to your panel documentation for complete programming details.

To program the sensor, do the following:

1. Set the panel to program mode.
2. Proceed to the **Learn sensors** menu.
3. Select the appropriate sensor group number.
4. Select the sensor number assignment.
5. When prompted by the panel, trip the sensor by pressing and holding both buttons on the pendant for five seconds.
6. Exit program mode.

Testing

The following steps describe general guidelines for testing the sensor. Refer to your panel documentation for complete testing details.

To test the sensor, do the following:

1. Use the panel touchpad to enter the dealer sensor test mode.
2. Press both buttons on the sensor to activate it.
3. Listen for the appropriate siren response as described in the panel documentation.
4. Test the sensor from several locations within the premises to check for consistent responses.

Note: In life safety applications, test the sensor weekly.

Battery replacement

To replace the sensor battery, do the following:

1. Remove the four housing screws on the back of the sensor (**2**) and separate the cover from the base.



You must be free of static electricity while handling circuit boards. Touch a grounded metal surface before touching the circuit board.

2. Remove the circuit board (**A** in Figure **3**) from the housing.
3. Remove the old battery by sliding it from the holder and install the new battery with the positive side up to observe polarity (**A** in Figure **4**). The red LED will blink when the battery is installed with correct polarity.
4. Place the circuit board back into the housing, ensuring the board is facing in the proper direction.
5. Place the back cover on the housing and secure with the four screws. Be sure the left and right activation buttons are in the correct location (**A** and **B** in Figure **5**).

Lithium battery disposal

Expired lithium batteries are considered hazardous waste. Be sure to dispose of old batteries according to battery directive instructions and/or instructions from local government authorities.

Specifications

Power source	3.0 V lithium battery
Typical standby current	3 uA
Operating temperature	10 to 120°F (-12 to 49°C)
Dimensions (L x W x D)	2.50 x 1.80 x 0.50 in. (64 x 46 x 13 mm)
RF frequency	868 MHz
Compatibility	GE Security control panels with 868 MHz GEN2 receivers
Supervision rate	18 minutes



DE Installationsanweisungen

TR Turkish

FR Instructions d'Installation

SV Swedish

NL Nederlander

NO Norwegian

ES Español

FI Finnish

PT Portugues

DA Danish

PL Polish

ZH Chinese

IT Italiano

JA Japanese
