

# Tiandy



TC-H356S Spec: 30X/I/E++/A/V3.0

## 5MP 30× Starlight IR POE AI PTZ Camera



Pro Series

### KEY FEATURES

- Support Auto-tracking
- Up to 2880×1620@30fps
- Min. illumination Color: 0.001Lux@F1.5
- Optical zoom: 30×, digital zoom 16×
- Smart IR, IR Range: 200m
- S+265/H.265/H.264/M-JPEG
- Intelligent monitoring/ Face Capture mode
- Support Human/Vehicle Classification
- Plugin Free
- IP66



**Tiandy Technologies Co.,Ltd.**

Email: [sales@tiandy.com](mailto:sales@tiandy.com)

Tel: +86-22-58596065

Website: [en.tiandy.com](http://en.tiandy.com)

Fax: +86-22-58596048



## SPECIFICATIONS

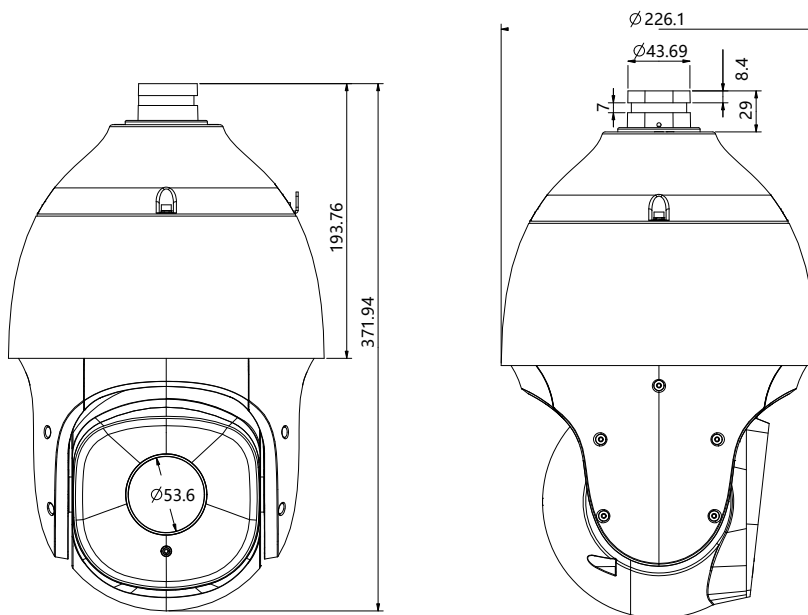
Camera	
Image Sensor	1/2.8" CMOS
Signal System	PAL/NTSC
Min. Illumination	Color: 0.001lux@ (F1.6, AGC ON), BW: 0lux with IR
Shutter Time	1s to 1/100,000s
Day & Night	IR Cut Filter with Auto Switch
Optical Zoom	30X
Digital Zoom	16X
Lens	
Focal Length	4.7mm~141mm
Zoom Speed	<5s
Field of View	Horizontal filed of view: 61.9° (w)~2.5° (t) Vertical filed of view: 35.5° (w)~1.4° (t) Diagonal field of view:69.1°(w)~2.9°(t)
Aperture Range	F1.6~F4.3
Focus Control	Auto/Manual
Iris Control	Auto
Close Focus Distance	1 m~1.5 m
Pan&Tilt	
Pan Range	360°
Pan Speed	Pan Manual Speed: 0.1°~180°/s, Pan Preset Speed: 240°/s
Tilt Range	-16°~90° (Default -3°~90°)
Tilt Speed	Tilt Manual Speed: 0.1°~120°/s, Tilt Preset Speed: 120°/s
3D Position	Yes
Preset	500
Preset Accuracy	±0.4°
Cruise	16, up to 32 presets per cruise
Scan	8
Pattern	8, each with 600s memory or 1000 orders
Scheduled Task	Preset、Cruise、Scan、Pattern、Alarm output
Park Action	Yes
Power-off Memory	Yes
Preset Freezing	N/A
Illuminator	
IR LEDs	10
IR Distance	Up to 200m
IR Irradiation Angle	Adjustable by Zoom
White LEDs	N/A
Laser	N/A
Laser Distance	N/A
Compression Standard	
Video Compression	S+265/H.265/H.264/M-JPEG
Video Bit Rate	32Kbps~16Mbps
Audio Compression	G.711A/G.711U/ADPCM_D/AAC_LC
Audio Sampling Rate	8K~48Kbps
Image	
Max. Resolution	5MP (2880x1620)
Main Stream	PAL: 25fps (2880x1620, 2688x1520, 2560x1440, 2304x1296, 1920x1080, 1280x960, 1280x720) NTSC: 30fps (2880x1620, 2688x1520, 2560x1440, 2304x1296, 1920x1080, 1280x960, 1280x720)
Sub Stream	PAL: 25fps (704x576, 704x288, 640x360, 352x288) NTSC: 30fps (704x480, 704x240, 640x360, 352x240)
Third Stream	PAL: 25fps (1920x1080, 1280x960, 1280x720, 704x576, 640x480, 704x288, 352x288) NTSC: 30fps (1920x1080, 1280x960, 1280x720, 704x480, 640x480, 704x240, 352x240)
BLC	Yes
HLC	Yes
WDR	True WDR

# Tiandy

<b>Image Stabilization</b>	N/A
<b>Fog</b>	Digit
<b>White Balance</b>	Auto/Semi-auto/Manual/Sunny/Natural light/Warm light/Sodium lamp/Incandescent lamp/Locked white balance
<b>AGC</b>	Yes
<b>Noise Reduction</b>	2D/3D
<b>ROI</b>	7 Dynamic Areas for Both Main and Sub Stream, support 1 auto-tracking ROI
<b>Picture Overlay</b>	Yes
<b>Privacy Mask</b>	Yes
<b>Smart Defog</b>	Yes
<b>Image Setting</b>	Saturation, brightness, contrast, sharpness, adjustable by client software or web browser
<b>Flip</b>	Yes
<b>OSD</b>	16x16, 24x24,32x32, 48x48, 64x64,96x96, adaptable size, Letters such as Week, Date, Time, Total 5 Regions
<b>Feature</b>	
<b>Alarm Trigger</b>	Event Input, Event Output, Mask Alarm, Disk Full, Disk R/W Error, IP Address Conflict, MAC Address Conflict, FTP Server Exception
<b>Video Analytics</b>	Tripwire, Double Tripwire, Perimeter, Object Abandon, Object Lost, Loitering, Running, Parking, Heatmap, Crowd, People Counting, On Duty Detection, Safety Helmet Detection,Video Abnormal, Audio Abnormal
<b>Early Warning(EW)</b>	N/A
<b>Auto-Tracking</b>	Yes
<b>Face Detection and Analytics</b>	
<b>Operating Mode</b>	Face capture, intelligent monitoring optional, default intelligent monitoring
<b>Face Detection Performance</b>	Detects up to 32 faces at the same scene
<b>Face Exposure Brightness</b>	Default 35, 1~100 brightness optional
<b>Min. Face Pixel</b>	Default 80, 26~2880optional
<b>Network</b>	
<b>Protocols</b>	HTTP/HTTPS/TCP/UDP/UPnP/SNMP/DHCP/DNS/DDNS/Easy/ DDNS/NTP/SMTP/SSL/802.1X/QoS/IPv4/IPv6/PPPOE/SSH/ Unicast/Multicast/RTMP/RTP/RTSP/NFS/SMB/CIFS/FTP
<b>System Compatibility</b>	ONVIF (PROFILE S/T/G/M), SDK, CGI, P2P
<b>ANR</b>	Auto store video in SD card when NVR disconnected, and upload video to NVR when resumed connection (Only Support Tiandy ANR NVR)
<b>Remote Connection</b>	≤7
<b>User/Host</b>	Up to 32 users. 4 user levels
<b>Web Version</b>	web6
<b>Interface</b>	
<b>Communication Interface</b>	1 RJ45 10M/100M self adaptive Ethernet port
<b>Audio I/O</b>	1/1
<b>Alarm I/O</b>	8/2
<b>Built-In Speaker</b>	N/A
<b>Reset Button</b>	Yes
<b>On-board storage</b>	Built-in Micro SD card slot, up to 512 GB
<b>RS-485</b>	Yes
<b>BNC</b>	N/A
<b>Wiper</b>	N/A
<b>Electronic Compass</b>	N/A
<b>GPS/BDS</b>	N/A
<b>General</b>	
<b>Protection</b>	IP66 , TVS 6000V lightning protection, surge protection and voltage transient protection
<b>Web Client Language</b>	17 languages Simple Chinese/ Traditional Chinese/ English/ Spanish/ Korean/ Italian/ Turkish/ Russian/ Thai/French/ Polish/ Dutch/ Hebraism/ Arabic/ Vietnamese/ German/ Ukrainian
<b>Operating Conditions</b>	-40°C~70°C (IR OFF), -40°C~40°C (IR ON), 0-95%RH
<b>Power Supply</b>	AC24V±25%/POE++(IEEE802.3 bt)
<b>Power Consumption</b>	20W (IR OFF), 38W (IR ON)
<b>Heater</b>	N/A
<b>Material</b>	ADC12
<b>Package/Boundary Dimensions</b>	Φ310x500mm (Φ222x372mm)
<b>Gross/Net Weight</b>	8.45kg (5.3kg)

\* Listed resolutions are only selectable options. It does not mean that all streams can work at their maximum resolution at the same time.

## DIMENSIONS (Unit: mm)



## ACCESSORIES



DF20Y  
Wall Mount

### OPTIONAL



A37  
Installation Adapter



A38  
Ceiling Mount



DF21Y  
Pendant Mount



A36  
Pole Mount



A35  
Corner Mount



811  
Junction Box

DISTRIBUTED BY



**Tiandy Technologies Co.,Ltd.**

Email: [sales@tiandy.com](mailto:sales@tiandy.com)  
Website: [en.tiandy.com](http://en.tiandy.com)

Tel: +86-22-58596065  
Fax: +86-22-58596048