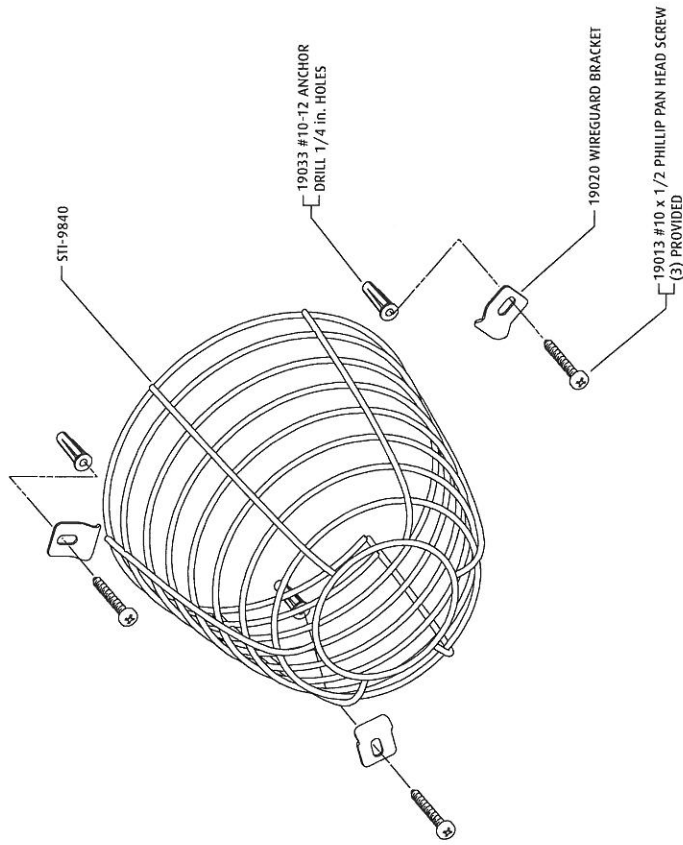




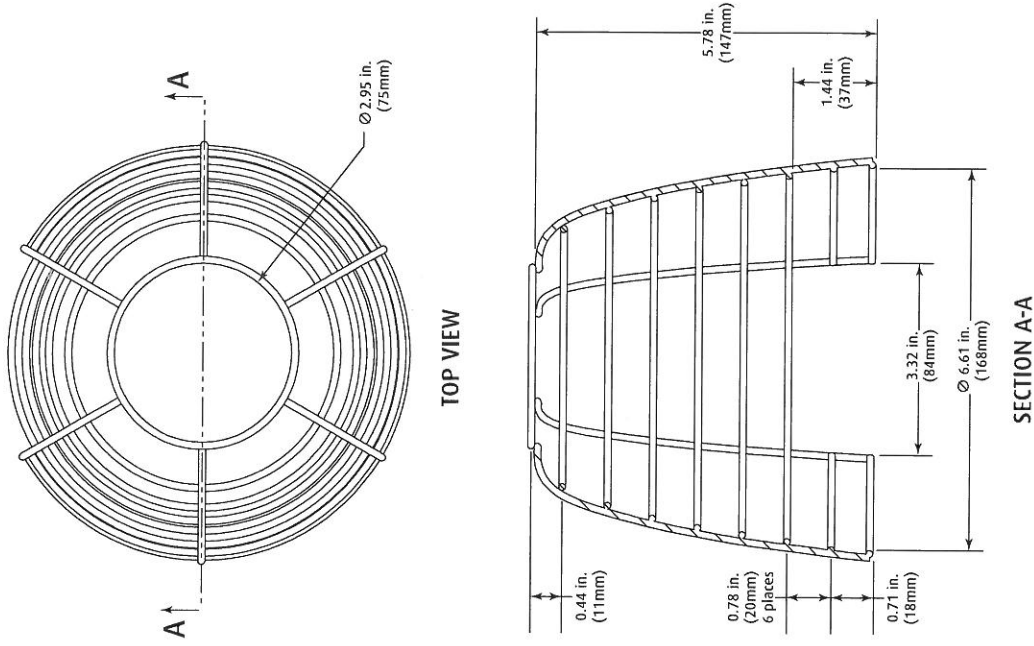
Safety Technology International, Inc.
 2306 Airport Road • Waterford, Michigan 48327-1209
 Phone: 248-673-9898 • Fax: 248-673-1246
 Toll Free: 800-888-4784 • E-mail: info@sti-usa.com
 Web: www.sti-usa.com

Safety Technology International (Europe) Ltd.
 Unit 49G Pipers Road • Park Farm Industrial Estate • Redditch
 Worcestershire • B98 0HU • England • Tel: 44 (0) 1527 520 999
 Fax: 44 (0) 1527 501 999 • Freephone: 0800 085 1678 (UK only)
 E-mail: info@sti-europe.com • Web: www.sti-europe.com



INSTALLATION INSTRUCTIONS

1. Center guard over device.
2. Place first clip in desired location and mount.
3. Locate remaining clips and attach.



Electronic warranty form at www.sti-usa.com/wc14

INSTALLATION OF STI-9840 Fireray® Fire Detector Damage Stopper®

All specifications and information shown were current as of publication and are subject to change without notice.

9840-DEC2010

