

REDWALL®

Unrivalled performance



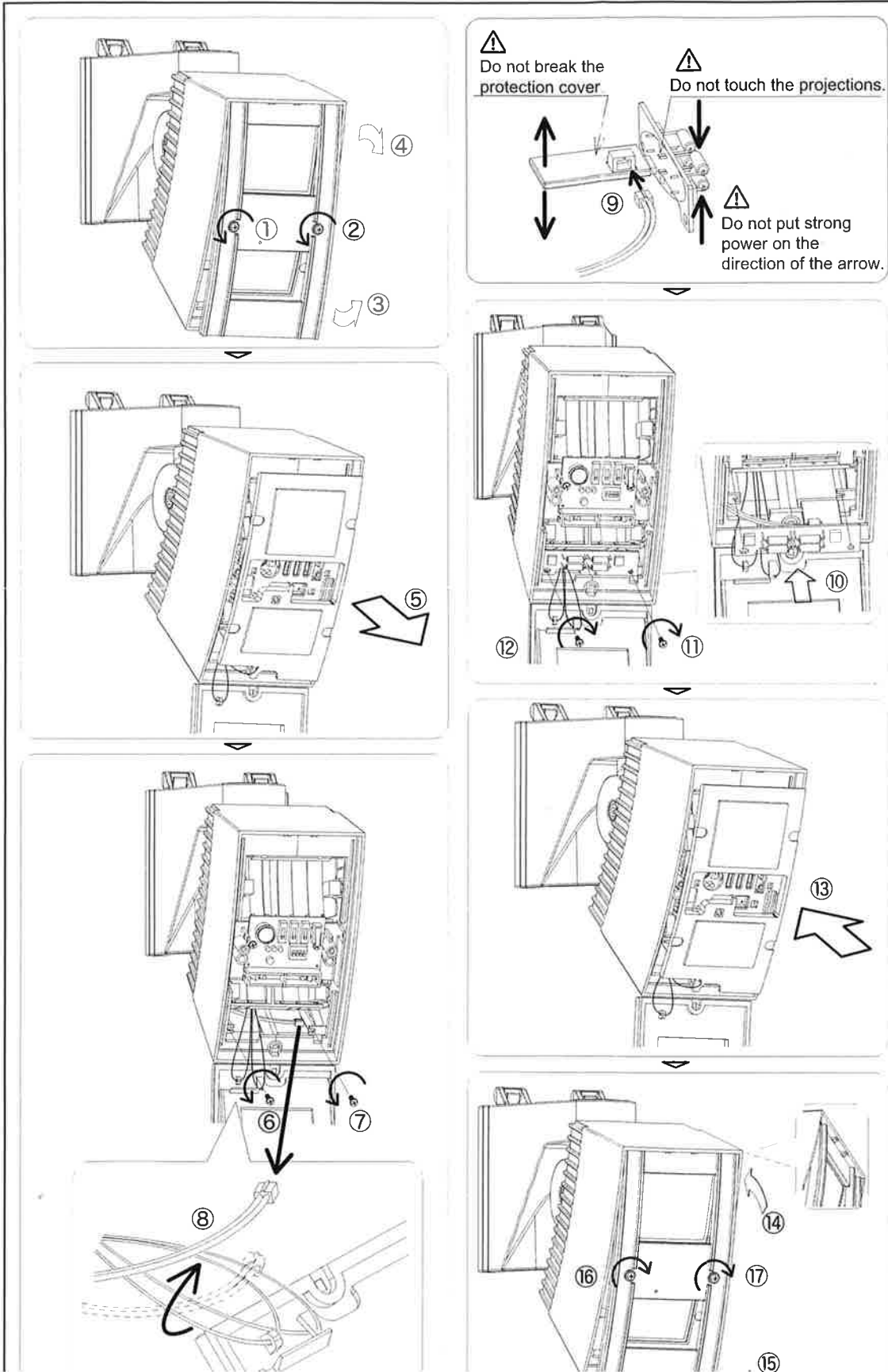
Instruction Manual Heating Unit SIP-HU

Installing the SIP-HU to SIP series

Caution Verify that the power is off before installation.	Caution When installation, do not touch the projections of the unit to prevent injury:	Caution When you operate, do not touch Unit to prevent the burn.
---	--	--

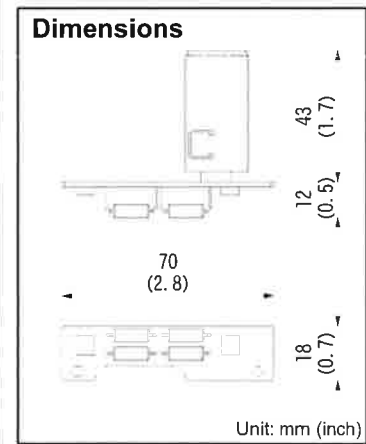
SIP-HU can be used for the following models;

SIP-3020, SIP-3020/5, SIP-4010, SIP-4010/5, SIP-404, SIP-404/5
SIP-5030, SIP-100



Specifications	
Name	Heating Unit
Model	SIP-HU
Power supply	Supplied from the SIP unit
Power consumption	Max.6W
Max.surface temperature	100°C (212° F)
Operating temperature	20°C or less (68° F or less)
Weight	10g (0.4 oz)

Cautions>>
When SIP-HU is used, the power for SIP unit should be 22-26V AC.



OPTEX
OPTEX CO., LTD. (JAPAN)
 (ISO 9001 Certified) (ISO 14001 Certified)
 5-8-12 Ogoto Otsu Shiga 520-0101 JAPAN
 TEL:+81-77-579-8670 FAX:+81-77-579-8190
 URL:http://www.optex.co.jp/e/

OPTEX INCORPORATED (USA)
 13661 Benson Ave., Bldg.
 C.Chino,
 CA 91710 U.S.A.
 TEL:+1-909-993-5770
 Tech:(800)966-7839
 URL:http://www.optexamerica.com

OPTEX (EUROPE) LTD. (UK)
 Clivemont Road, Maidenhead,
 Berkshire, SL6 7BU
 UK
 TEL:+44-1628-631000
 URL:http://www.optexeurope.com

OPTEX SECURITY SAS (FRANCE)
 475 Rue Monique et Mario Piani
 69480 Amberieux d'Azergues
 France
 TEL:+33-437-55-50-50
 URL:http://www.optex-security.com

OPTEX SECURITY Sp.z o.o. (POL AND)