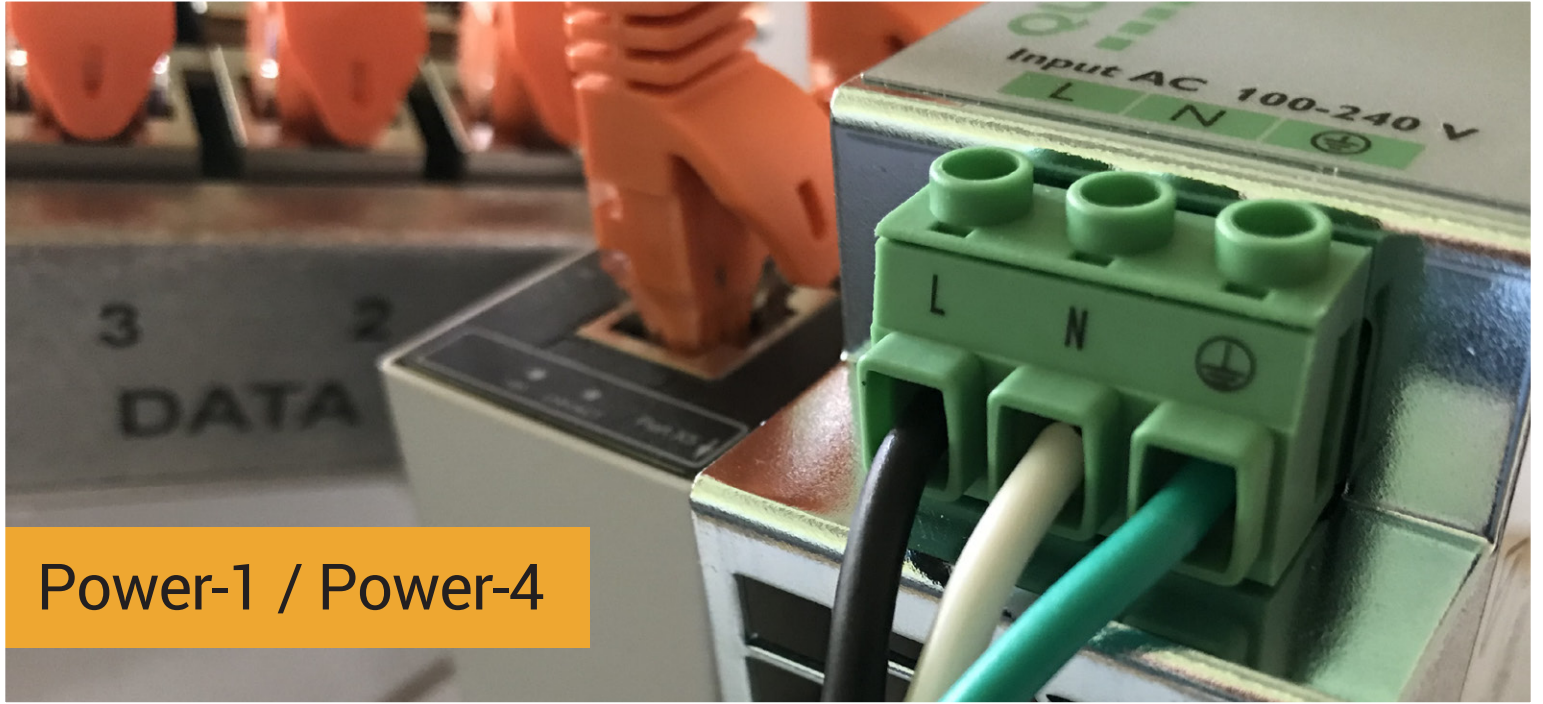


# TURN-KEY INSTALLATION



Power-1 / Power-4

## PRE-ENGINEERED INDUSTRIAL GRADE HARDWARE

MANUFACTURED IN AN ISO9001 FACILITY

SpotterRF Power-1/Power-4 provide turn-key installation for SpotterRF radars, PTZ cameras, and more. They are designed and engineered to simplify the physical integration of SpotterRF solutions to save time and money on design and installation.

### KEY FEATURES

- Local power cycling
- Grounding capability
- Industrial grade components
- Capable of powering multiple radars
- Accessible power terminals
- Small and compact parts on DIN rail specs
- UL/CSA Compliant

### KEY BENEFITS

- Save time & money on design and installation
- Reduce maintenance and RMA
- Power input flexibility
- Standardize every install
- Set up in only 5-10 minutes
- Install almost anywhere
- Extra year of warranty for all connected radars

Designed in conjunction with:



FOR MORE INFORMATION CONTACT:  
sales@spotterrf.com  
801-742-5849  
spotterrf.com

Protection Beyond Fences



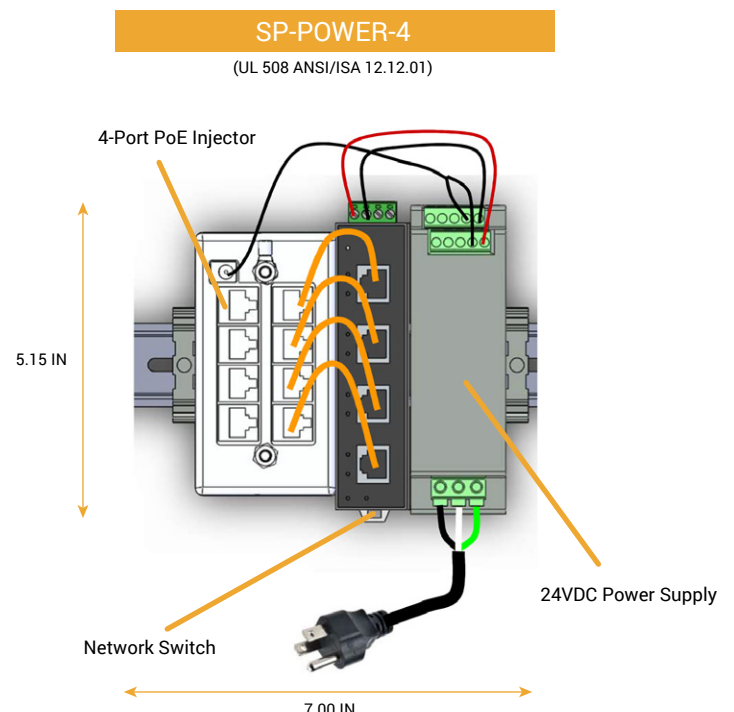
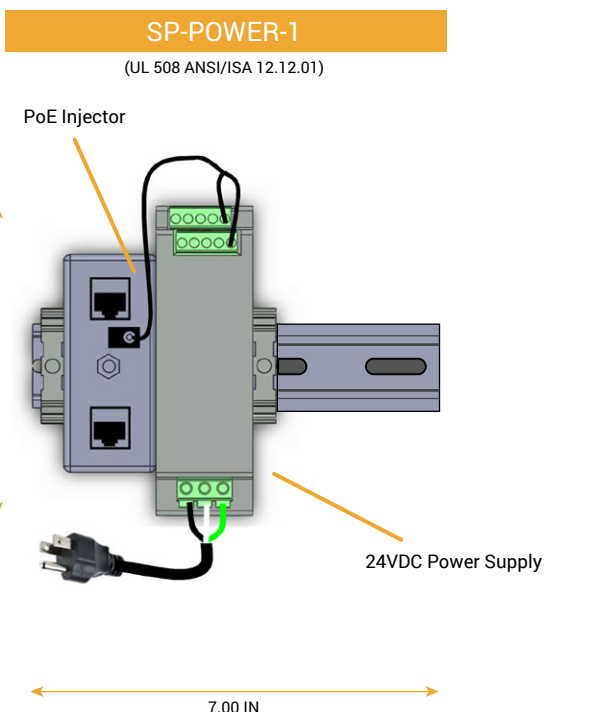
# TURN-KEY INSTALLATION

POWER AND NETWORK	SP-POWER-1	SP-POWER-4
POWER INPUT	120VAC 240VAC (WITH RECONFIGURATION)	120VAC 240VAC (WITH RECONFIGURATION)
POWER OUTPUT	24VDC UP TO 240 W	24VDC UP TO 240 W
NOMINAL POWER CONSUMPTION	8 W	8 W
NETWORK PORTS	1	4
PASSIVE POE PORTS (24VDC)	1	UP TO 4
SUPPORTED SPOTTER RADARS	ALL A, C, & CK-SERIES	ALL A, C, & CK-SERIES

PHYSICAL PROPERTIES	
HEIGHT	5.20 IN
WIDTH	5.15 IN
DEPTH	7.00 IN
OPERATING TEMPERATURE	-25°C TO 65°C



SpotterRF Power-1/Power-4 integrate SpotterRF compact surveillance radars with other components such as PTZ cameras. They are turnkey systems that are able to easily integrate into existing security systems as well as operate as standalone systems. These products are an integral part of SpotterRF's solutions and provide physical integration of the components.



FOR MORE INFORMATION CONTACT:  
[sales@spotterrf.com](mailto:sales@spotterrf.com)  
 801-742-5849  
[spotterrf.com](http://spotterrf.com)

MADE IN USA  
 ©2019 SpotterRF 09.18.19 REV002

