

P/N MD4-SMCAPF, MD6-SMCAPF, MD12-SMCAPF, MD16-SMCAPF



DESCRIPTION

MD-SMCAPF sensors module is composed of pressure detectors for raised floors.

It exploits a Dea Security's patent and is based on a piezoceramic technology which

permits directly transforming the pressures to which the sensor is subject into electric impulses, then amplified and analysed by the processing board. Each detector is sealed and protected against water infiltration, mechanical stress and corrosive agents.

The detectors are "passive" type and ensure high reliability and require no maintenance.



AVAILABLE VERSIONS

The detectors are supplied in pre-wired modules in order to simplify and speed up the system implementation. The SIGMA CAPF sensor module is available in the following versions:

P/N	DESCRIPTION
MD4-SMCAPF	4 sensors for the protection of 6 m ² of surface
MD6-SMCAPF	6 sensors for the protection of 9 m ² of surface
MD8-SMCAPF	8 sensors for the protection of 12 m ² of surface
MD12-SMCAPF	12 sensors for the protection of 18 m ² of surface
MD16-SMCAPF	16 sensors for the protection of 24 m ² of surface



IT IS POSSIBLE TO COVER AREAS GREATER THAN 24M² BY PLACING SEVERAL SENSOR-MODULES SIDE BY SIDE.

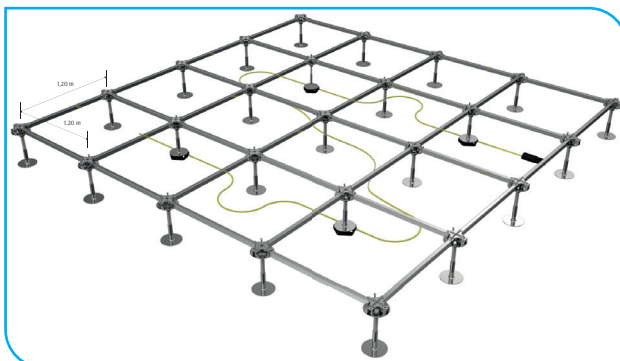
N.B.

ANY USE OTHER THAN THOSE INDICATED IN THIS TECHNICAL ANNEX MUST BE AGREED WITH THE DEA SECURITY TECHNICAL SERVICE.



COVERAGE AREA

Each sensor covers a detection area of approximately 1,2 m x 1,2 m.



COMPLIANCE

In combination with processing board:

- DIRECTIVE 2014/30/EU**
 - EN 50130-4:2011
 - EN 61000-6-3:2007+A1:2011
- DIRECTIVE 2011/65/EU**
 - EN 50581:2012



TECHNICAL FEATURES

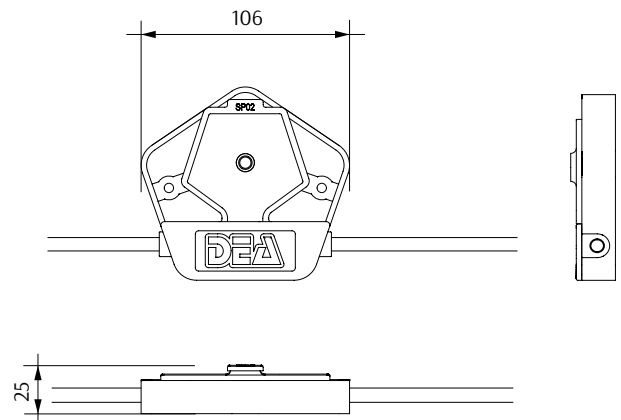
SENSOR:

- DIMENSIONS:** 106 x 25 mm (Ø X H)
- OPERATING TEMPERATURE:** -40 ÷ +80 °C
- RELATIVE HUMIDITY:** 0 - 100%
- MATERIALE:** ABS sealed with epoxy resin

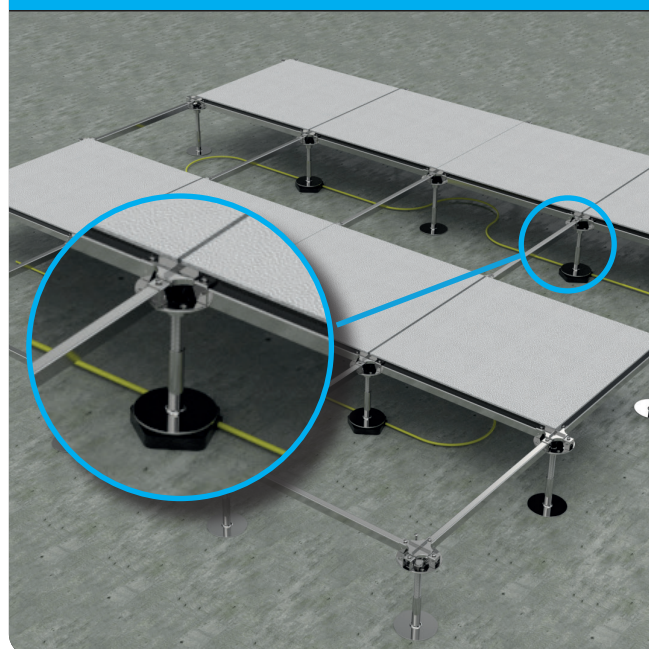
TERMINATION: For further information see **TBX-SMCAPF** datasheet

CABLE: For further information see **CV-SMCA** datasheet

DIMENSIONAL SCHEME



APPLICATION EXAMPLE





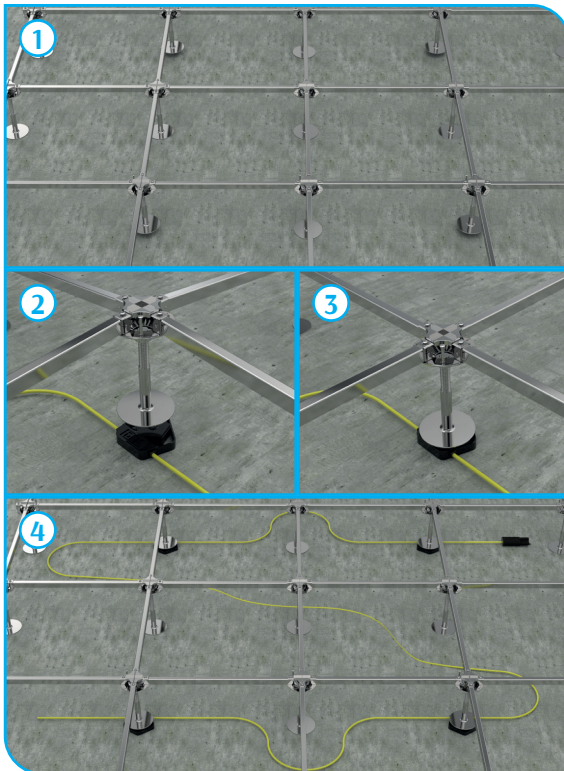
INSTALLATION

1. STRUCTURE INSTALLATION

Proceed with the assembly of the supporting structure of the floating floor (pic. 1).

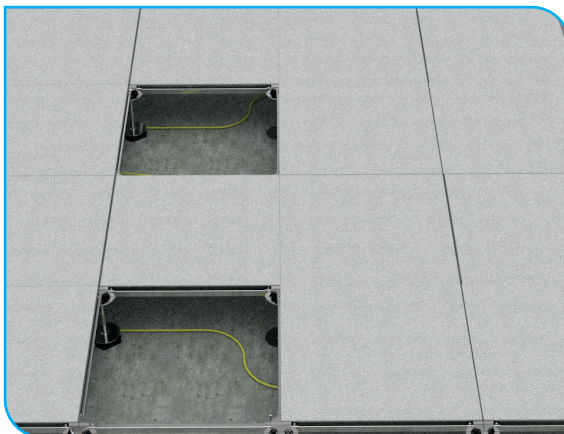
2. SENSOR POSITIONING

Place the sensors under the pedestals of the supporting structure, one every two pedestals, and adequately adjust the height of the support (pic. 2-3-4).



3. CLOSING FLOOR

Before final covering, it is necessary to check that the cable has not been damaged during the laying work (peeled, crushed, etc.). It is recommended to cover the sensors as soon as possible (maximum one day) to avoid damage to the sensor-modules.



CONNECTIONS

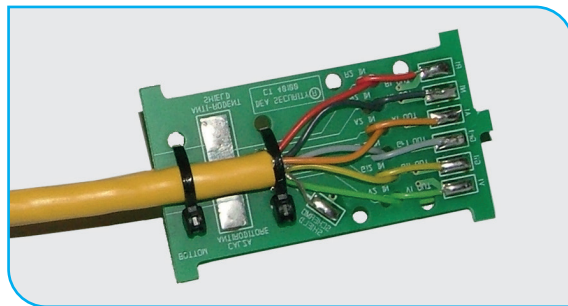
To connect the modules to the processing boards, only the DEA Security cable (CV-SMCA) must be used.

1. INITIAL JUNCTION

If the distance between the processing board and the sensor-module is greater than 150 m, a junction at the beginning of the line must be provided.

The beginning of the line splice occurs with a color-to-color link. Each connection must be tin-welded and sealed with polyurethane resin (RP-100) inside a special container supplied.

For further information see JBX-CAPF datasheet.



CV-SMCA cable – sensor	CV-SMCA cable – board
Red	Red
Black	Black
Orange	Orange
Grey	Grey
Yellow	Yellow
Green	Green
Shield	Shield



FOR SEALING THE JOINTS / TERMINALS, USE ONLY RP-100 RESIN, SPECIALLY DESIGNED FOR THIS USE.

2. TERMINATION

To finish the sensor section, it is necessary to use the appropriate TBX-SMCAFP container. Each connection must be soldered with tin and sealed with polyurethane resin cod. RP-100.

For further information see TBX-CAPF datasheet.

3. CONDUCTOR INSULATION CHECK

Using a tester with a full scale of 20 MΩ, check the complete insulation between the various conductors that make up the cable by measuring a very high resistance value ("open circuit"). On the other hand, a very low resistance value must be measured between the YELLOW-GREEN conductors ("closed circuit").

N.B.

FOR CONNECTION OF THE MODULE TO THE PROCESSING BOARD, SEE THE RELATIVE TECHNICAL ATTACHMENT (BR-SMCA-Z1)

DEA Security S.r.l.

Via Bolano, snc - 19037 Santo Stefano di Magra (SP) - tel. +39 0187 699233 - fax +39 0187 697615

VAT NO.: IT00291080455

www.deasecurity.com - dea@deasecurity.com

© 2023 DEA Security S.r.l. - Edition May 2023 - v. 2.0.1.

DEA Security srl reserve the right to change at any time and without notice the features of its products.



SCAN ME