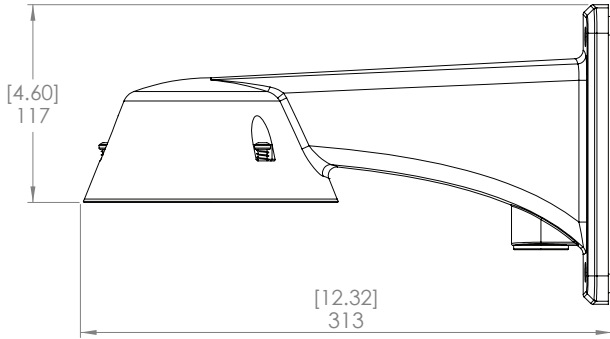


Indoor/Outdoor Pendant Wall Mount



IRPTZ-MNT-WALL1	Pendant wall mount for dome cameras. Compatible with H4 IR PTZ and H4A-xMH dome cameras.	
Weight: 1.11 kg (2.45 lbs)	Finish: Powder coat, cool grey	Body: Aluminum, silicone rubber
3/4" NPT conduit entry		



[X.X]	INCHES
X	MM

