

## Dorcas Door Closer DC3

You are here: [Home](#) / [DOOR CLOSERS](#) / [Dorcas Door Closer DC3](#)

---

# DORCAS

## DC3

[Downloads](#)

---

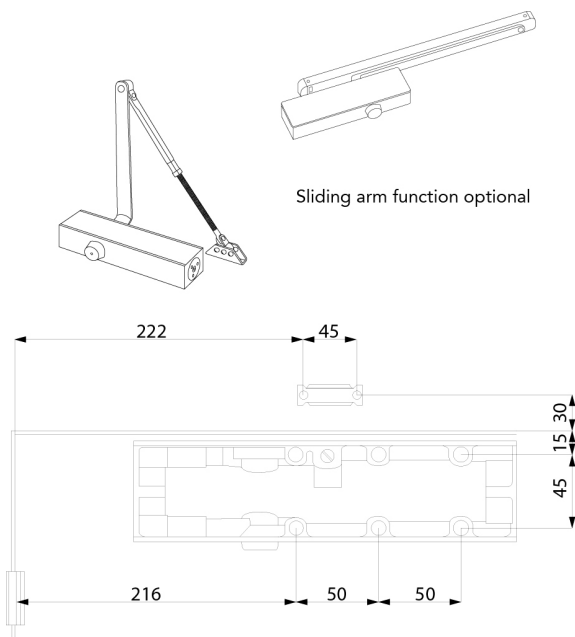




DC3 model is very simple to install and ideal for interior doors of different styles and designs.

Its slim and compact design makes an easy and troubleless installation. Closing levels and speeds are fully adjustable. Normal and sliding guide arm available.

- FIRE RATED
- CE CERTIFIED
- POWER LEVEL 2-6
- DOOR WIDTH FROM 850 TO 1100 mm
- DOOR WEIGHT FROM 25 TO 85 Kg



TECHNICAL CHARACTERISTICS	DC3
Closing force	EN 2-5
Door Width	850-1250 mm
Door weight	25-100 Kg
Fire Rated	EN-1634
Symmetrical	YES
Design style	European style for commercial doors
Standard installation	YES
Arm parallel installation	YES
Top jamb installation	YES
Regulable speed closing through adjustments	YES
Material	Aluminium body. Steel arm.
Length of hole horizontal mounting	100 mm
Length of hole vertical mounting	45 mm
Open dampening	YES
Sliding arm	Optional
Delaying close	NO
Cycles tested	500.000 (EN-1154)
Fixation	Optional

---

**22233** DC3 SA H

In order to choose the colour of the doorcloser add "/G" after the CODE for grey colour, "/B" for black colour or "/W" for white

**REFERENCE EXAMPLE**

DC3 Doorcloser with hold open function in black colour: DC3 H/N