



# DC102

**Contacto magnético para superficie, terminal de tornillos. Apertura operativa máx. 18mm. Blanco.**

## Easy Installation

---

The DC102-series are ideal for residential and commercial applications where terminal connections are preferred. The unit features positive clamping terminals with anti-rotation lugs and captured screws with combination heads. These features allow for easy, quick installations.

## Comprehensive Range

---

The range includes wide gap, SPDT and biased versions for higher security. This makes it one of the most popular contacts available in the industry today.

## Durability and dependability

---

These high performance magnetic contacts have been designed to facilitate installation and ensure durability and dependability. Most are conservatively rated at 10,000,000 cycles, guaranteeing a long life. Every reed connection is hand soldered and each magnetic contact is tested before they leave the factory.

## High quality components and materials

---

Reed legs are plated with rhodium or ruthenium, and hermetically sealed in dry nitrogen. This offers superior protection against sticking and provides a moisture free environment therefore preventing corrosion.



## Details

---

- Amplia gama de productos
- Calidad superior
- Instalación sencilla
- Longitud estándar del cable de 2 m
- Bucle de tamper incluido

# DC102

Contacto magnético para superficie, terminal de tornillos. Apertura operativa máx. 18mm.  
Blanco.

## Technical specifications

### General

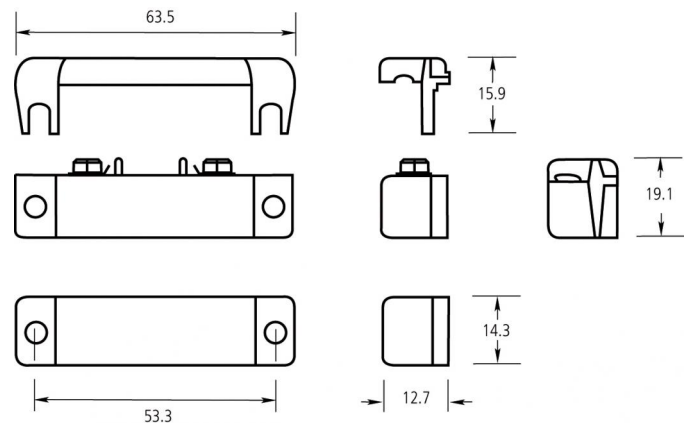
Tipo de Aplicación	Montaje en Superficie
Tipo de contacto	NC
Conectividad	Screw

### Wired/wireless

Cableado - Inalámbrico	Cableado
------------------------	----------

### Físico

Dimensiones físicas	63 x 12 x 19 mm
Color	Blanco
Brecha de funcionamiento	18 mm (max.)



As a company of innovation, UTC Fire & Security reserves the right to change product specifications without notice. For the latest product specifications, visit UTC Fire & Security online or contact your sales representative.